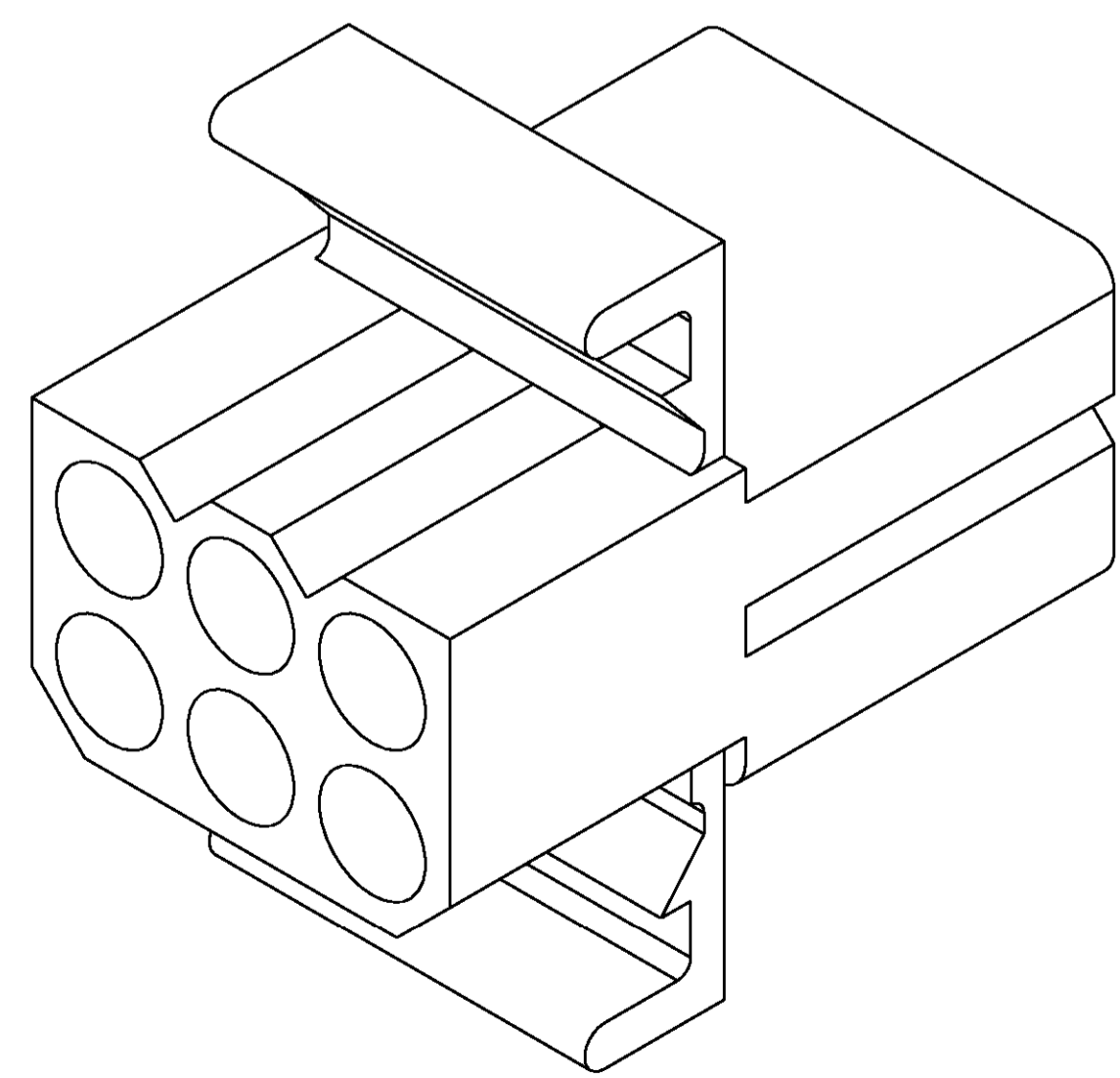
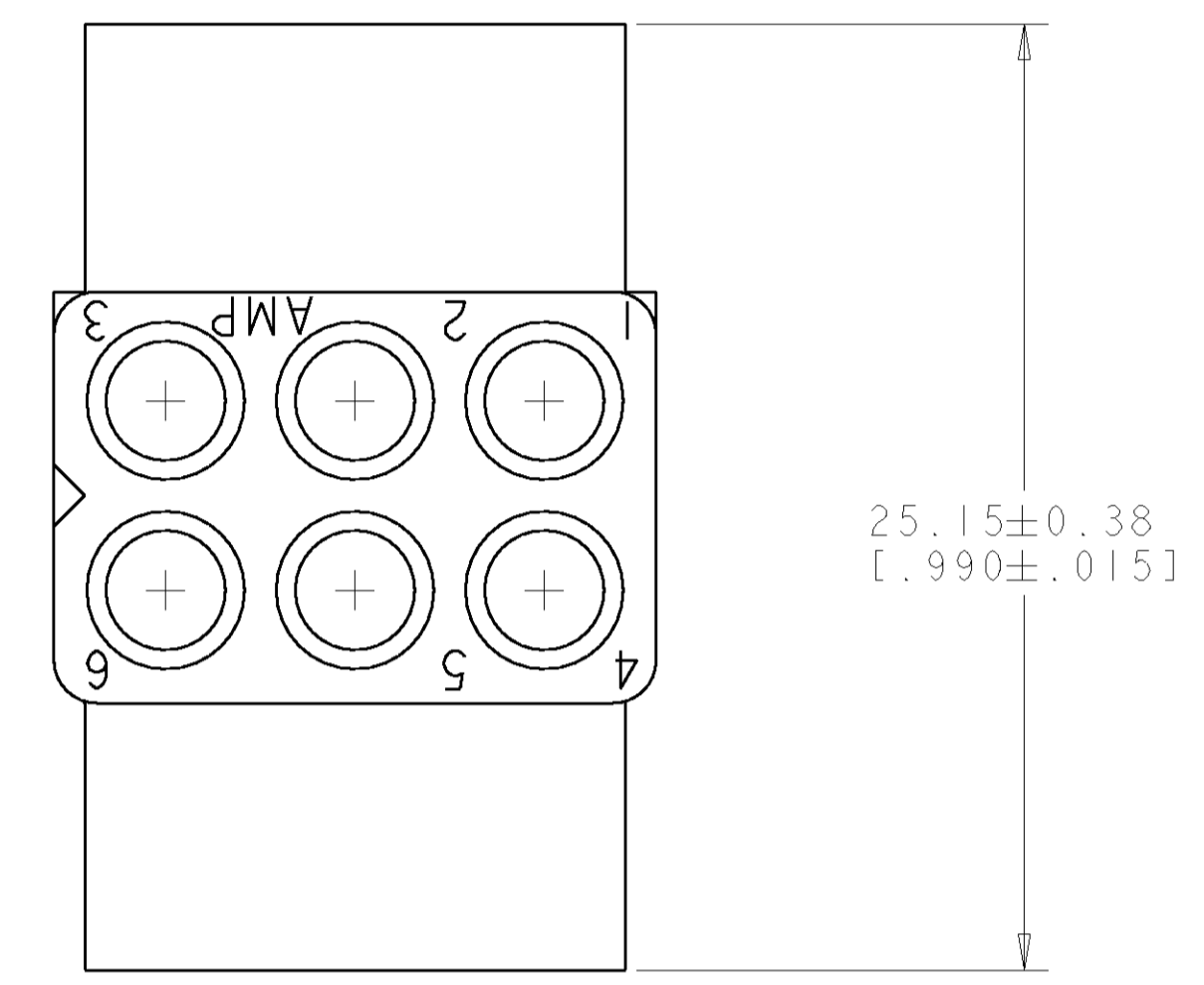
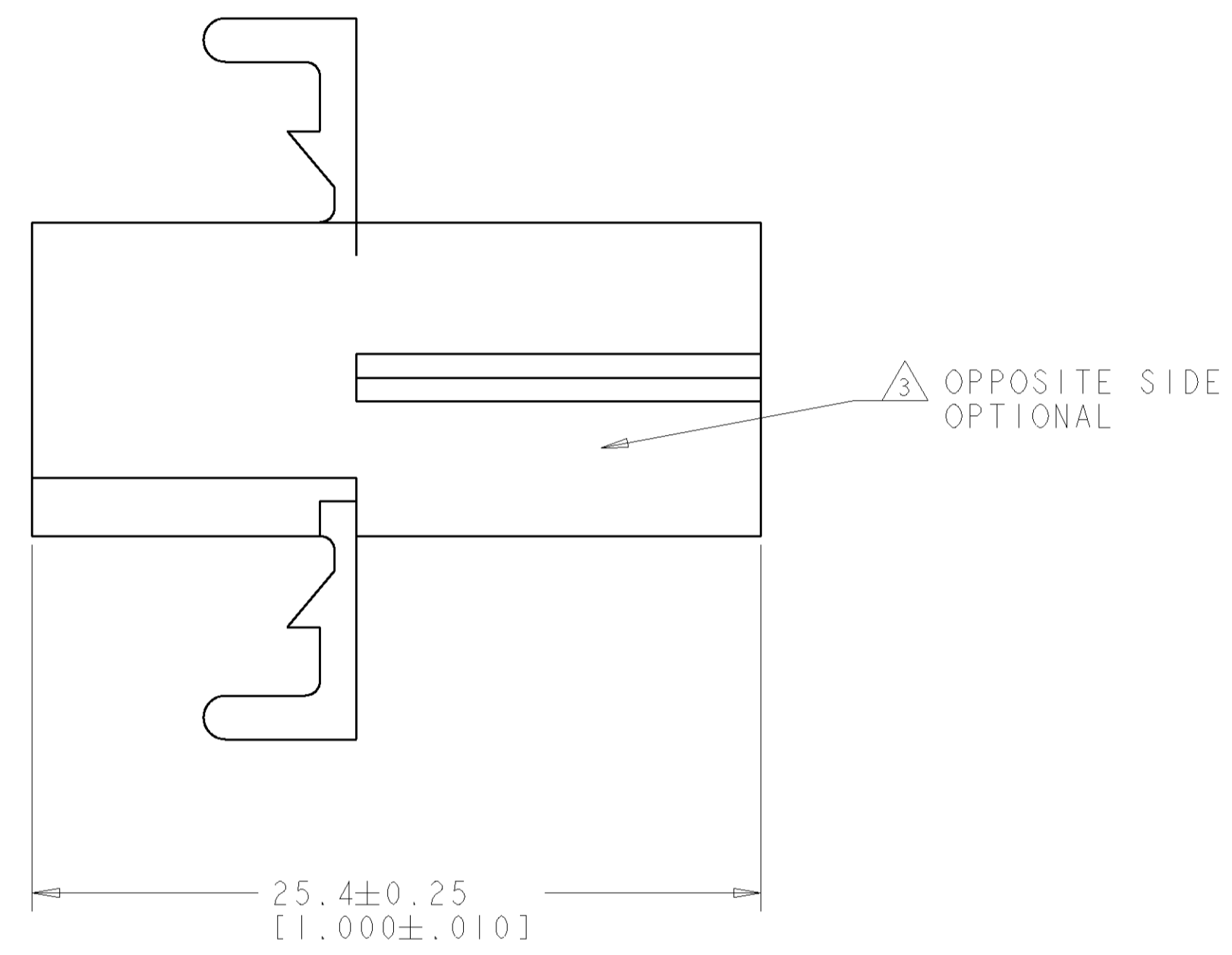
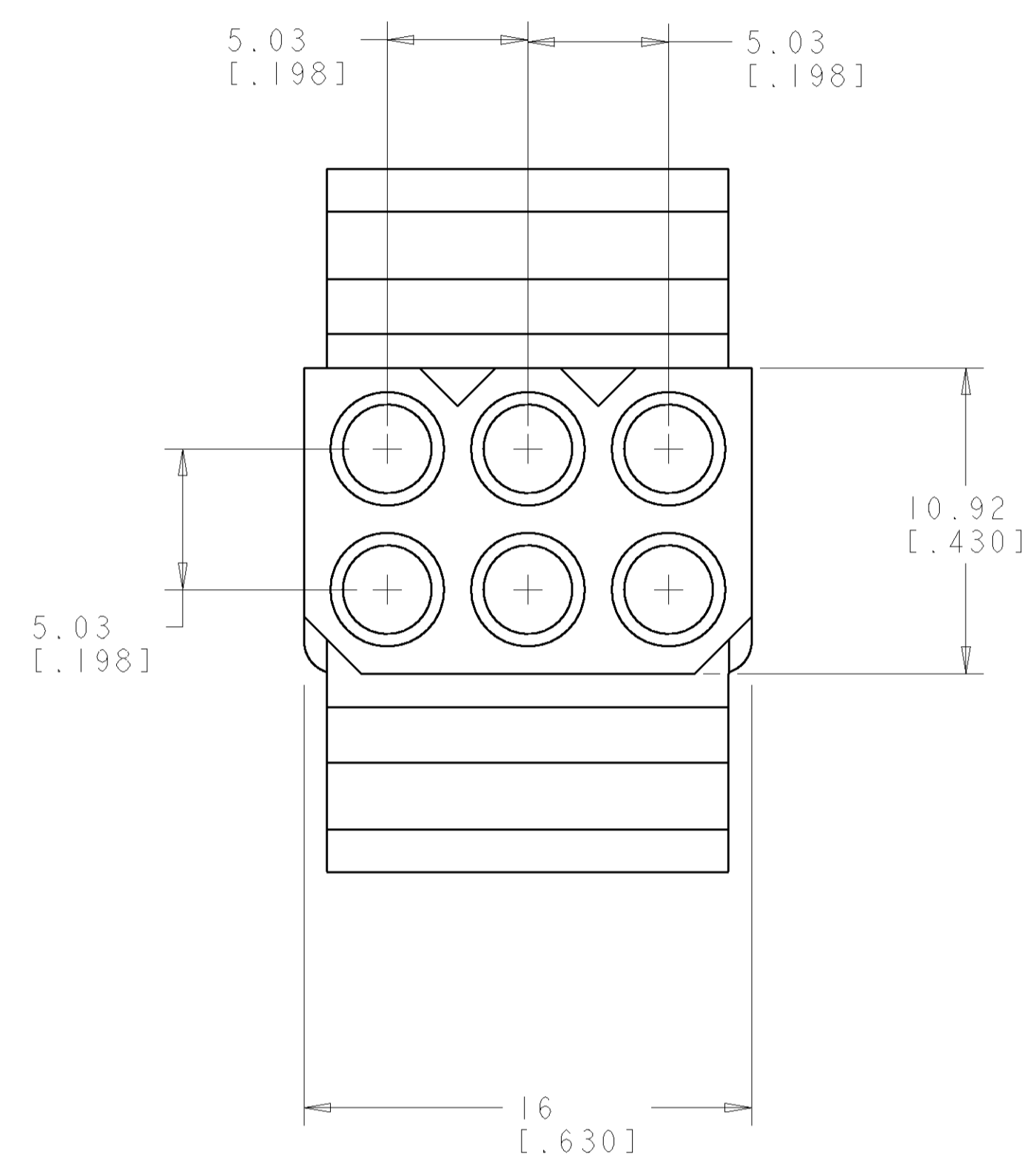
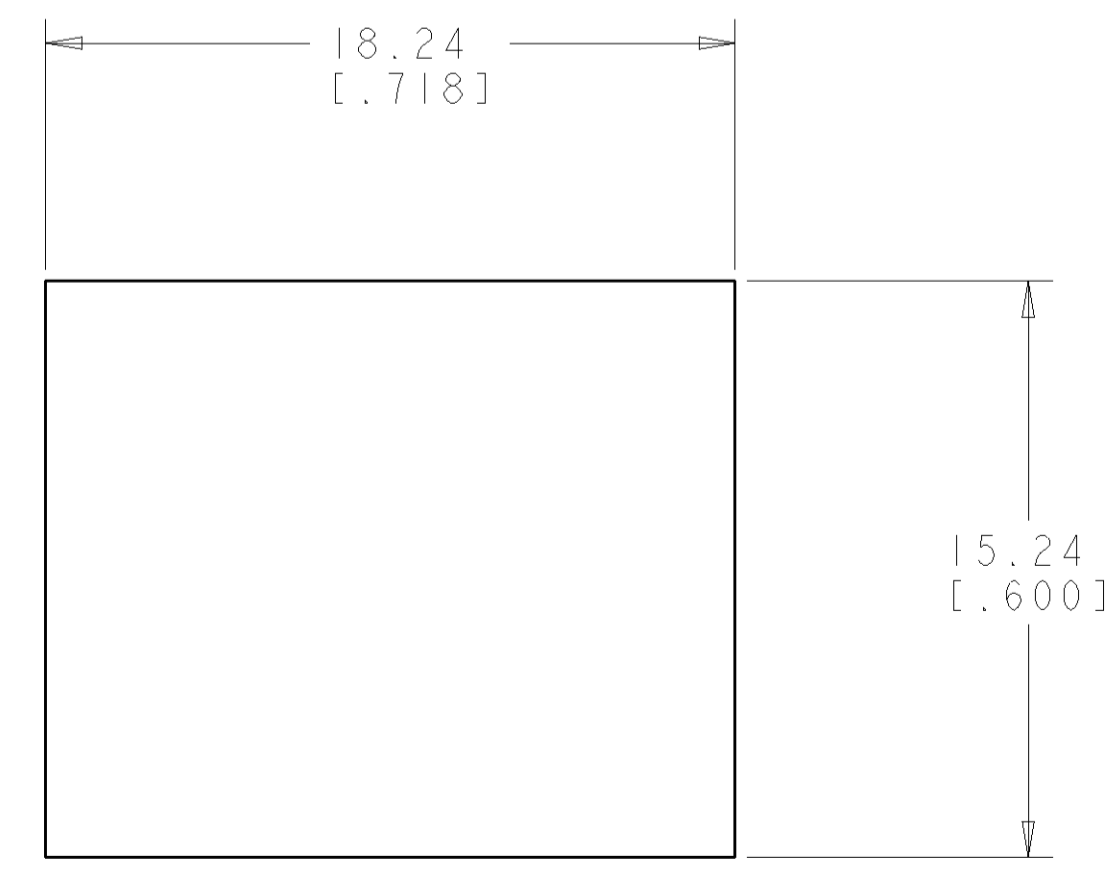


REVISONS		DATE	DWN	APVD
CM	00			
F		18JAN2002	KW	DC

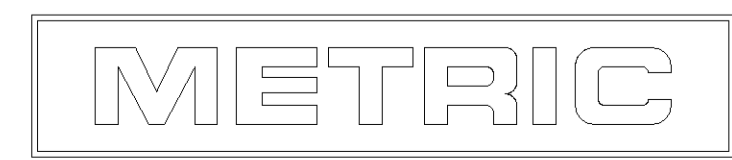
- △ MATERIAL: NYLON UL94V-2 (NATURAL).
- 2. RECOMMENDED PANEL THICKNESS 2.29 [.090] MAX.
- △ MARKING FOR UL LOGO AND CSA LOGO LOCATED APPROXIMATELY AS SHOWN.



3 DIMENSIONAL VIEW



RECOMMENDED PANEL CUTOUT



770085-1
 PART NUMBER

DIMENSIONS: mm [INCHES] TOLERANCES UNLESS OTHERWISE SPECIFIED: 0 PLC ± 1 PLC ± 2 PLC ±0.13 [.005] 3 PLC ± 4 PLC ± ANGLES ±		DWN R. WHITAKER 18JAN2002 ENR D. COLEY 18JAN2002 APVD D. COLEY 18JAN2002 PRODUCT SPEC APPLICATION SPEC WEIGHT FINISH	Tyco Electronics Harrisburg, PA 17105-3608 NAME RECEPTACLE, 6 CIRCUIT, COMMERCIAL PIN AND SOCKET SIZE CAGE CODE DRAWING NO. RESTRICTED TO A 00779 C-770085
MATERIAL: △ FINISH: -		CUSTOMER DRAWING	SCALE 5:1 SHEET 1 OF 1 REV F