

2822395-1 ✓ ACTIVE

TE Internal #: 2822395-1

Housing for Female Terminals, Wire-to-Wire, 10 Position, .19 in [4.8 mm] Centerline, Sealable, Black, Wire & Cable, Cable Mount (Free-Hanging)

[View on TE.com >](#)



Connectors > Automotive Connectors > Automotive Housings



Connector & Housing Type: **Housing for Female Terminals**

Mating Tab Width: **1.8 mm [.07 in]**

Connector System: **Wire-to-Wire**

Number of Positions: **10**

Centerline (Pitch): **4.8 mm [.19 in]**

Features

Product Type Features

Connector Shape	Rectangular
Connector & Housing Type	Housing for Female Terminals
Connector System	Wire-to-Wire
Sealable	Yes
Hybrid Connector	No
Primary Locking Feature	Integrated in Housing
Connector & Contact Terminates To	Wire & Cable

Configuration Features

Number of Positions	10
Number of Rows	2

Body Features

Primary Product Color	Black
-----------------------	-------

Contact Features

Contact Size	1.8mm
--------------	-------



Contact Type	Receptacle
--------------	------------

Mating Tab Width	1.8 mm[.07 in]
------------------	----------------

Mechanical Attachment

Mating Alignment Type	Polarization Slot
-----------------------	-------------------

Mating Alignment	With
------------------	------

Connector Mounting Type	Cable Mount (Free-Hanging)
-------------------------	----------------------------

Housing Features

Housing Material	PBT
------------------	-----

Centerline (Pitch)	4.8 mm[.19 in]
--------------------	----------------

Usage Conditions

Operating Temperature (Max)	105 °C[221 °F]
-----------------------------	----------------

Operating Temperature Range	-30 – 105 °C[-22 – 221 °F]
-----------------------------	----------------------------

Packaging Features

Packaging Quantity	100
--------------------	-----

Packaging Method	Bag
------------------	-----

Other

Connector Position Assurance Capable	No
--------------------------------------	----

Product Compliance

[For compliance documentation, visit the product page on TE.com>](#)

EU RoHS Directive 2011/65/EU	Compliant
------------------------------	-----------

EU ELV Directive 2000/53/EC	Compliant
-----------------------------	-----------

China RoHS 2 Directive MIIT Order No 32, 2016	No Restricted Materials Above Threshold
---	---

EU REACH Regulation (EC) No. 1907/2006	Current ECHA Candidate List: JUNE 2023 (235) Candidate List Declared Against: JUNE 2023 (235) Does not contain REACH SVHC
--	---

Halogen Content	Not Low Halogen - contains Br or Cl > 900 ppm.
-----------------	--

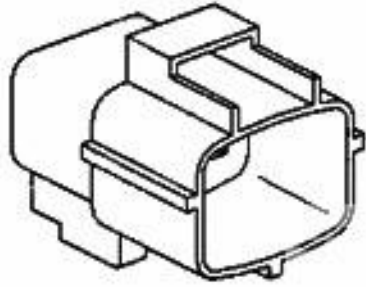
Solder Process Capability	Not applicable for solder process capability
---------------------------	--

Product Compliance Disclaimer

This information is provided based on reasonable inquiry of our suppliers and represents our current actual knowledge based on the information they provided. This information is subject to change. The part numbers that TE has identified as EU RoHS compliant have a maximum concentration of 0.1% by weight in homogenous materials for lead, hexavalent

chromium, mercury, PBB, PBDE, DBP, BBP, DEHP, DIBP, and 0.01% for cadmium, or qualify for an exemption to these limits as defined in the Annexes of Directive 2011/65/EU (RoHS2). Finished electrical and electronic equipment products will be CE marked as required by Directive 2011/65/EU. Components may not be CE marked. Additionally, the part numbers that TE has identified as EU ELV compliant have a maximum concentration of 0.1% by weight in homogenous materials for lead, hexavalent chromium, and mercury, and 0.01% for cadmium, or qualify for an exemption to these limits as defined in the Annexes of Directive 2000/53/EC (ELV). Regarding the REACH Regulation, the information TE provides on SVHC in articles for this part number is based on the latest European Chemicals Agency (ECHA) 'Guidance on requirements for substances in articles' posted at this URL: <https://echa.europa.eu/guidance-documents/guidance-on-reach>

Compatible Parts

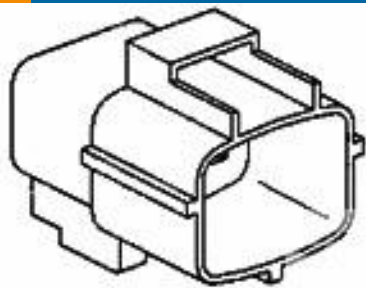


TE Part # 174657-2
10 POS. CAP MK II +



TE Part # 1-174656-1
E-J MK-2 PLUG HSG 10P NATURAL

Customers Also Bought



TE Part #174657-2
10 POS. CAP MK II +



TE Part #936061-2
2.8MM SLD 3P PLUG ASSY-RAIL



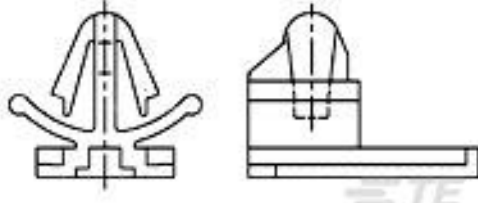
TE Part #1-174656-1
E-J MK-2 PLUG HSG 10P NATURAL



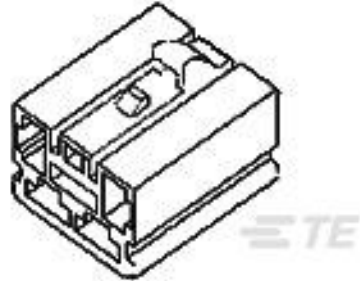
TE Part #174658-7
10 POS DL PLATE FOR CAP MKII+



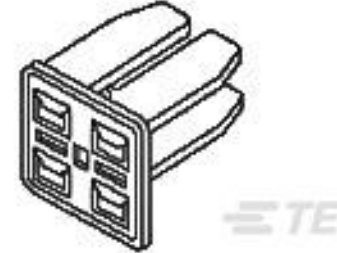
TE Part #174656-7
10 POS DL PLATE FOR PLUG MKII+



TE Part #368121-1
CLIP HSG FOR 070(EJ MK-II 16P)



TE Part #172222-1
FF 250 PLUG HSG 4P NYLON NAT



TE Part #1-174662-1
E-J MK-2 PLUG HSG 12P NATURAL



TE Part #170459-1
TAB WITH LANCE FOR M.I.C. L.P.



TE Part #2005362-2
SLOT CLIP FOR EJ MK-II

Documents



Product Drawings

070 ECONOSEAL MARK-2+ PLUG 10P

Japanese

CAD Files

3D PDF

3D

Customer View Model

[ENG_CVM_CVM_2822395-1_A.2d_dxf.zip](#)

English

Customer View Model

[ENG_CVM_CVM_2822395-1_A.3d_igs.zip](#)

English

Customer View Model

[ENG_CVM_CVM_2822395-1_A.3d_stp.zip](#)

English

By downloading the CAD file I accept and agree to the [Terms and Conditions](#) of use.

Product Specifications

Product Specification

English

Product Specification

Japanese

Agency Approvals

Agency Approval Document

English