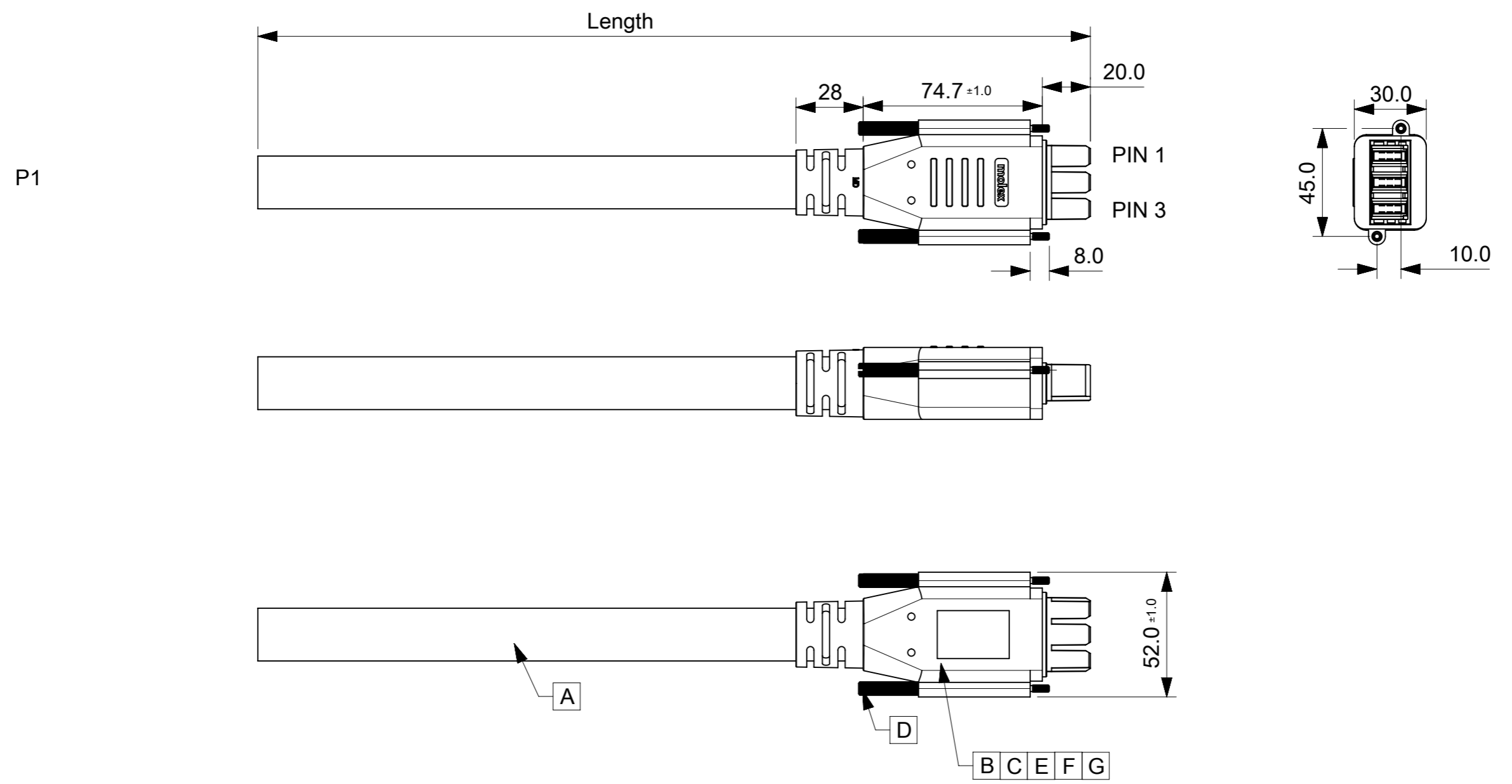


DATE	REV.	DESCRIPTION	CHANGER
2021.03.08	A	INITIAL RELEASE	LUCY



WIRING CHART		
P1	COLOR	P2
Pigtail	BLACK	1
	WHITE	2
	GREEN	3

<b>FUNCTIONAL SYMBOLS</b> $\nabla/A = 0$ $\nabla/E = 0$ $\nabla/V = 0$	THIS DRAWING CONTAINS INFORMATION THAT IS PROPRIETARY TO MOLEX ELECTRONIC TECHNOLOGIES, LLC AND SHOULD NOT BE USED WITHOUT WRITTEN PERMISSION DIMENSION UNITS: <b>mm</b> SCALE: <b>1:5</b>	CURRENT REV DESC:  EC NO: 658092 DRWN: LLI205 CHK'D: LLI205 APPR: YXZOU						
	GENERAL TOLERANCES (UNLESS SPECIFIED) ANGULAR TOL ± ° 4 PLACES ± 3 PLACES ± 2 PLACES ± 0.25 1 PLACE ± 0.5 0 PLACES ± 1.0					2021/03/05 2021/03/15 2021/03/15	SEE TABLE PRODUCT CUSTOMER DRAWING	
	<b>DIVISIONAL SYMBOLS</b>		INITIAL REVISION: DRWN: LLI205 APPR: YXZOU	2020/07/21 2021/03/15	DOCUMENT NUMBER <b>2012344458</b>	DOC TYPE PSD	DOC PART 000	REVISION A
	DRAFT WHERE APPLICABLE MUST REMAIN WITHIN DIMENSIONS		THIRD ANGLE PROJECTION 	DRAWING <b>A3-SIZE</b>	SERIES <b>201234</b>	MATERIAL NUMBER SEE TABLE	CUSTOMER GENERAL MARKET	SHEET NUMBER 1 OF 2

EWR NO.	MOLEX P/N	MOLEX P/N	LENGTH
EWR200127	2167592035	3pin Guardian ST to pigtail 6 AWG 2M	2000±40
EWR200128	2167592036	3pin Guardian ST to pigtail 6 AWG 4M	4000±80
EWR200129	2167592037	3pin Guardian ST to pigtail 6 AWG 6M	6000±100

NOTES:

1. ELECTRICAL PERFORMANCE:
  - 1.1 MAXIMUM CURRENT RATING: 50 AMPS PER PIN.  
(EACH APPLICATION SHOULD BE EVALUATED BY THE END USER FOR COMPLIANCE TO SPECIFIC SAFETY AGENCY REQUIREMENTS. THE RATING IS PROVIDED AS REFERENCE. APPROPRIATE DE-RATING IS REQUIRED BASED ON AMBIENT CONDITIONS, COPPER TRACE SIZE ON THE PCB, GROSS HEATING FROM ADJACENT MODULES/ COMPONENTS AND OTHER FACTORS THAT INFLUENCE CONNECTOR PERFORMANCE.)
  - 1.2 MAXIMUM VOLTAGE RATING: 600V.
  - 1.3 THIS PRODUCT MUST 100% PASS CONTINUITY TEST.
  - 1.4 DIELECTRIC STRENGTH: 1000 V DC/0.01S.
  - 1.5 INSULATION RESISTANCE: 10M OHM/MIN.
  - 1.6 MAXIMUM CONDUCTOR RESISTANCE:
    - 2.0 OHM/MAX. for 2M CABLE
    - 2.2 OHM/MAX. for 4M CABLE
    - 2.5 OHM/MAX. for 6M CABLE
2. MECHANICAL PERFORMANCE:
  - 2.1 THE P2 SIDE CAN WITHSTAND 300N PULL FORCE STRAIGHT INLINE FOR ONE MINUTE
  - 2.2 THE P2 SIDE CAN WITHSTAND 300N PULL FORCE AT 90°LOADING FOR ONE MINUTE.
  - 2.3 THE P2 SIDE CAN WITHSTAND 300N PULL FORCE AT 45°LOADING FOR ONE MINUTE.
3. TEMPERATURE:
  - 3.1 OPERATING TEMPERATURE: -40 TO 105 DEG C.  
(INCLUDING 30°C T-RISE FROM APPLIED CURRENT)
4. THIS PRODUCT MUST COMPLY WITH 2015/863 EU ROHS REQUIREMENT

G	PBT POLYESTER 30% GF BLACK	A/R	
F	PVC RESIN FOR INNERMOLD	A/R	
E	PVC RESIN, BLK FOR OVERMOLD	A/R	
D	M3 SCREW		2
C	Guardian TERM, 6AWG CRIMP, GOLD		3
B	Guardian Crimp Rec Hsg 3 ckt 6 AWG		1
A	3CX6AWG;UNSH;PVC;BK;OD21MM;UL2586	A/R	
ITEM	DESCRIPTION	L(mm)	Q'TY

FUNCTIONAL SYMBOLS ▽ <sub>A</sub> = 0 ▽ <sub>E</sub> = 0 ▽ <sub>P</sub> = 0	THIS DRAWING CONTAINS INFORMATION THAT IS PROPRIETARY TO MOLEX ELECTRONIC TECHNOLOGIES, LLC AND SHOULD NOT BE USED WITHOUT WRITTEN PERMISSION	CURRENT REV DESC:		<b>molex</b>							
	DIMENSION UNITS: mm	SCALE: 1:1			SEE TABLE						
DIVISIONAL SYMBOLS	GENERAL TOLERANCES (UNLESS SPECIFIED)		EC NO: 658092 DRWN: LLI205 CHK'D: LLI205 APPR: YXZOU	2021/03/05 2021/03/15 2021/03/15	PRODUCT CUSTOMER DRAWING						
	ANGULAR TOL ± °					INITIAL REVISION: DRWN: LLI205 APPR: YXZOU	2020/07/21 2021/03/15				
	4 PLACES ±							DOCUMENT NUMBER: 2012344458	DOC TYPE: PSD	DOC PART: 000	REVISION: A
	3 PLACES ±										
	2 PLACES ± 0.25										
1 PLACE ± 0.5											
0 PLACES ± 1.0		DRAFT WHERE APPLICABLE MUST REMAIN WITHIN DIMENSIONS	THIRD ANGLE PROJECTION	DRAWING: A3-SIZE	SERIES: 201234	MATERIAL NUMBER: SEE TABLE	CUSTOMER: GENERAL MARKET	SHEET NUMBER: 2 OF 2			