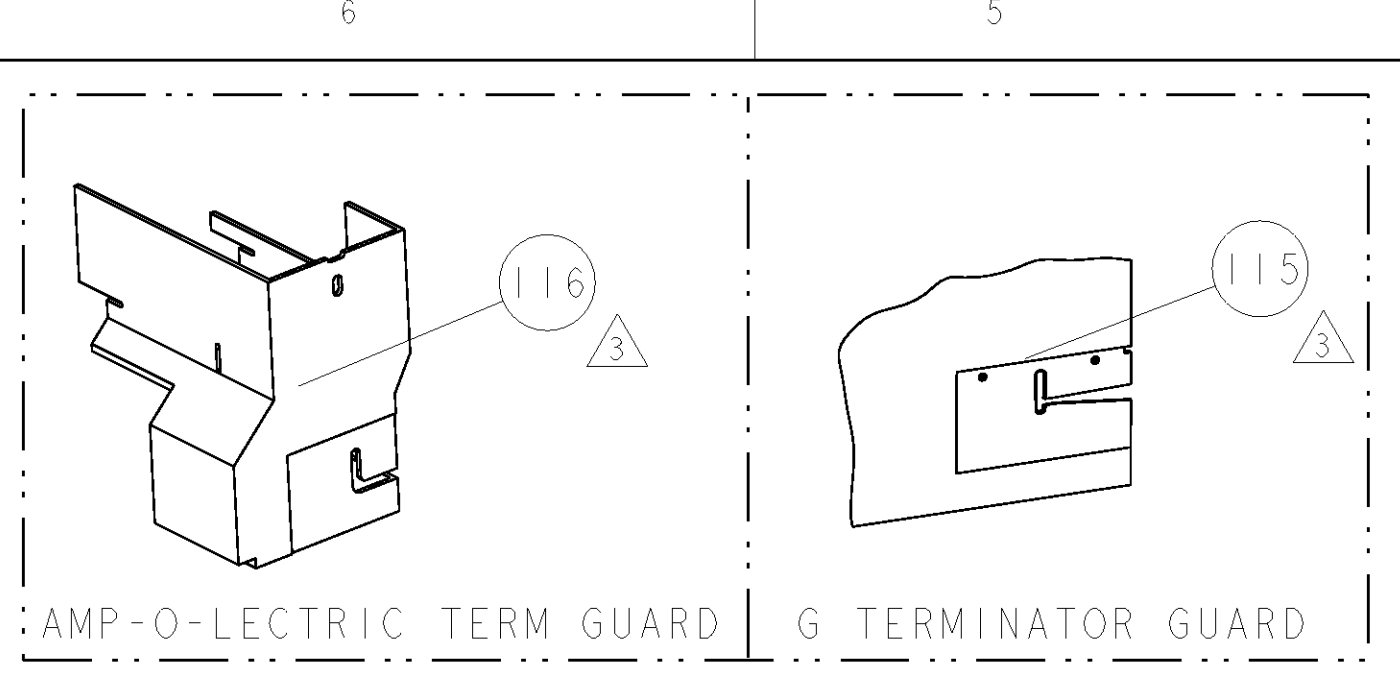


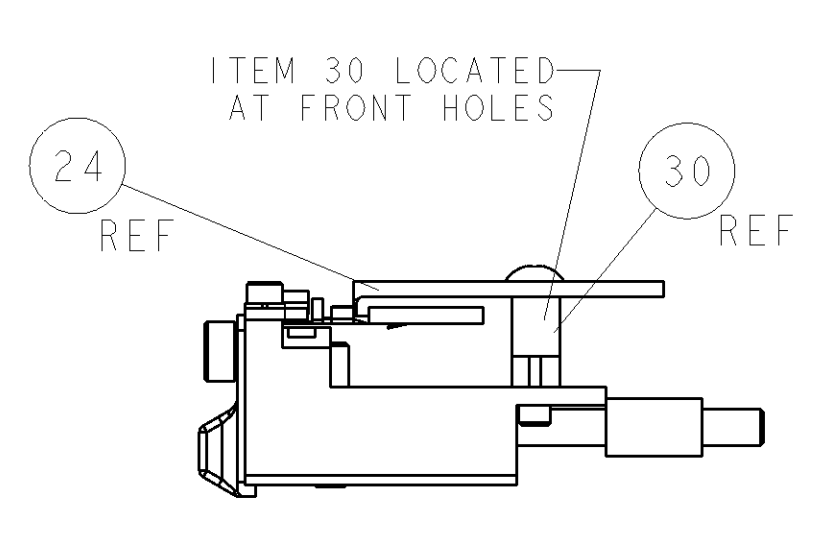
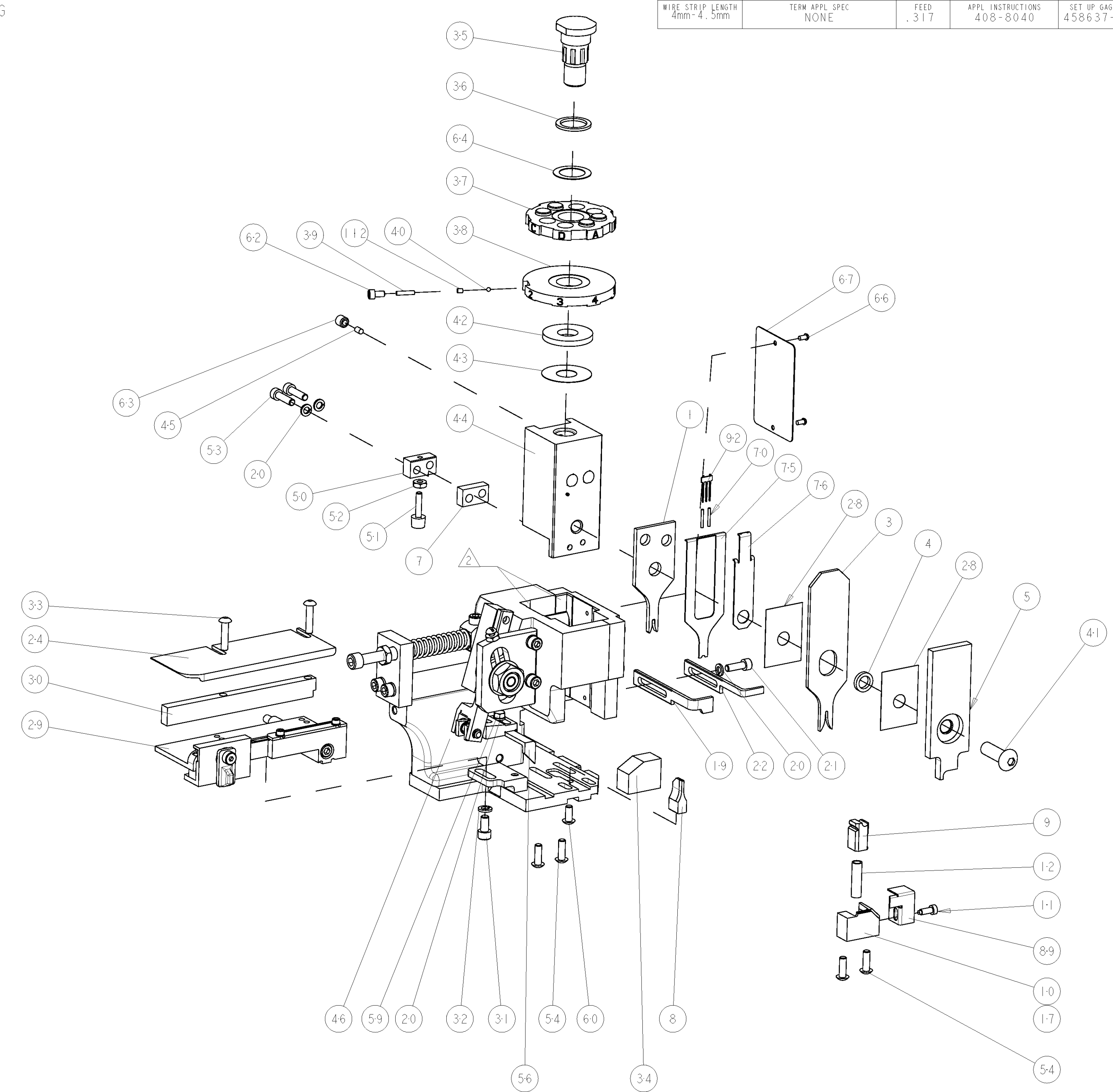
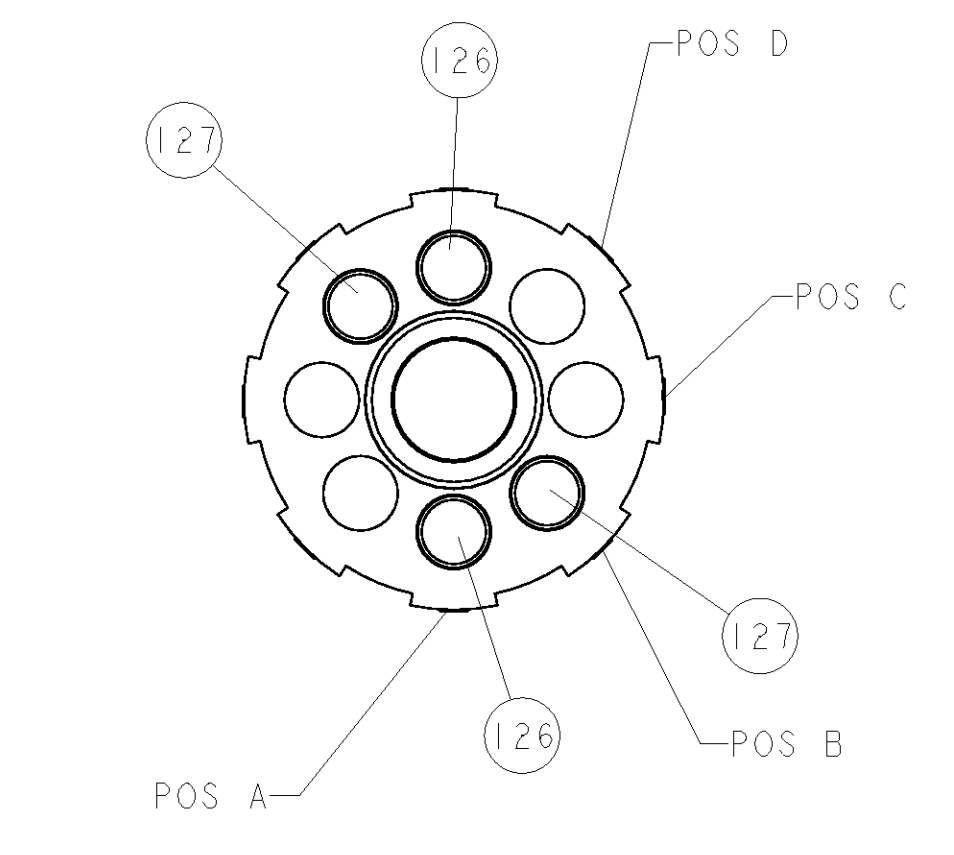
PART NUMBER	REV	FIRST USED	POWER UNIT	FEED TYPE	DESCRIPTION
1852606-1	B	122500-1	LEADMAKER	POST FEED	CUTS CARRIER
1852606-2	B	565435-5	BENCH MODEL K	PRE FEED	CUTS CARRIER
1852606-3	B	354500-1	BENCH MODEL G	PRE FEED	CUTS CARRIER
1852606-6	B	122500-1	LEADMAKER	POST FEED	CONTINUOUS CARRIER
7-1852606-7	A	-	-	-	SPARE PARTS



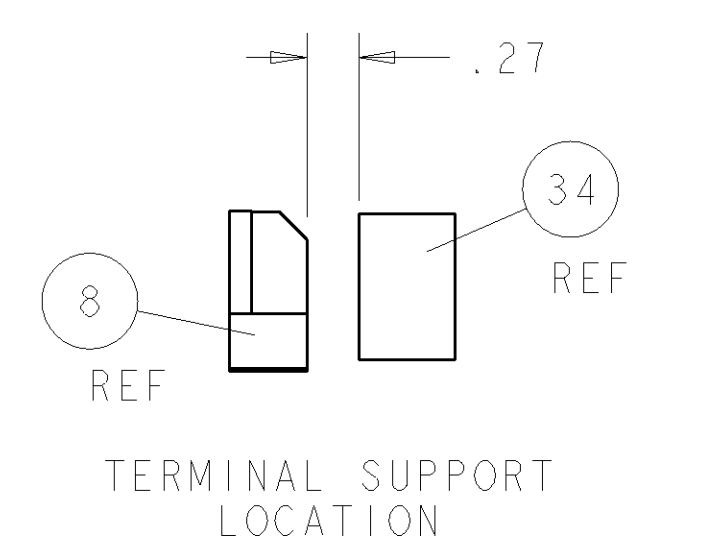
TERMINAL NAME: TERMINAL, MALE					
TE PN	JST PN	JST TERMINAL - JST CRIMP SPECS			
1832718	SAITW-A03TG6-064	PAD LTR	CRIMP HEIGHT		WIRE SIZE
1832719	SAITW-A03T-064		A	1.08±0.05mm[.043±.002]	20
-	-	B	0.98±0.05mm[.039±.002]		22
-	-	C	-		-
-	-	D	-		-
-	-	CRIMP	SIZE	TYPE	RANGE
-	-	WIRE	1.50mm[.059]	F	20-22
-	-	INSUL	1.60mm[.062]	O	1.9MAX
WIRE STRIP LENGTH 4mm-4.5mm	TERM APPL SPEC NONE	FEED .317	APPL INSTRUCTIONS 408-8040	SET UP GAGE 458637-1	

LOC	DIST	REVISIONS			
A	66	REV	DESCRIPTION	DATE	BY
		A	PRODUCT RELEASED	JAN2008	CMR
		A2	ECR-09-013474	11JUN2009	MY
		B	ECR-10-017823	26AUG2010	MY

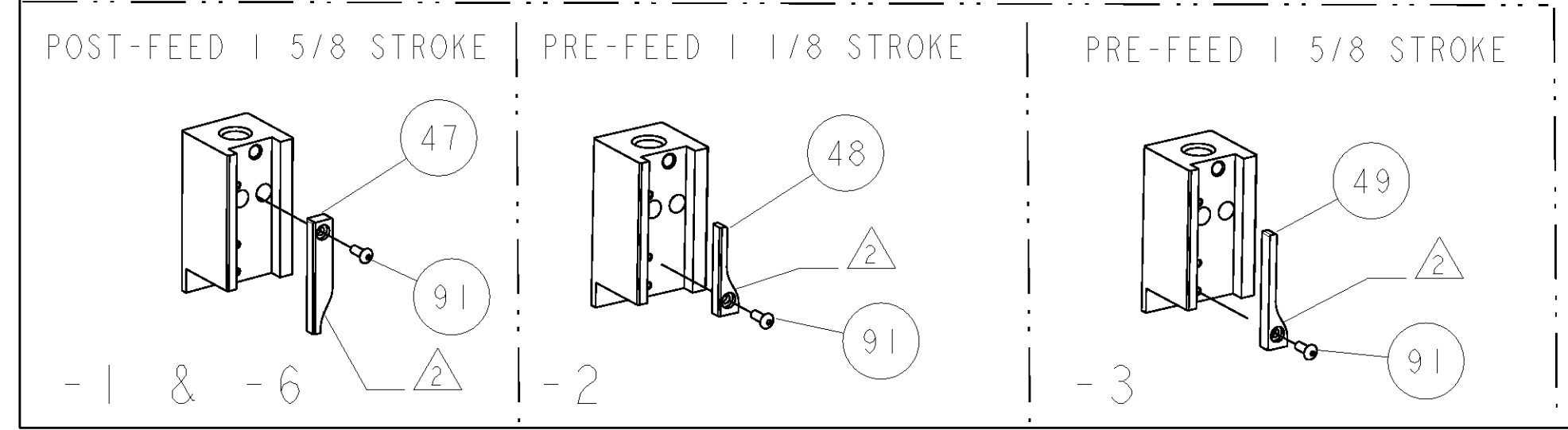
- △ RECOMMENDED SPARE PARTS
- △ GREASE LIGHTLY
- △ GUARD MUST BE IN PLACE WHEN OPERATING APPLICATOR IN A BENCH MACHINE



FEED TRACK POSITION



TERMINAL SUPPORT LOCATION



REV	QTY	U/M	PART NO	DESCRIPTION	ITEM NO		
-	2	2	2	2	1-354779-6	PIN, WIRE DISC, .3070	127
-	2	2	2	2	354779-8	PIN, WIRE DISC, .3030	126
△	-	-	REF	-	455749-1	GUARD WINDOW	116
△	-	-	REF	-	679532-1	INSERT, GUARD	115
-	1	1	1	1	690603-1	SPRING ASSIST AMP-O-MATOR APPLICATOR	112
-	1	1	1	1	1424350-1	HOLDER, PIN, WIRED	92
-	1	1	1	1	1-21002-7	SCR, BTN SKT HD CAP 6-32 X .375	91
-	1	1	1	1	318563-1	GUARD, FRONT CHIP	89
-	1	1	1	1	1490524-1	DEPRESSOR, SPACER	76
-	1	1	1	1	1490525-3	DEPRESSOR, WIRE	75
-	1	1	1	1	4088040	SF APPL INST 408-8040	72
-	1	1	1	1	217238-1	GENERAL INSTRUCTION PKG	71
-	2	2	2	2	2-23147-2	SPRING, COMPRESSION	70
-	1	1	1	1	461264-1	PLATE, IDENTIFICATION	67
-	2	2	2	2	21017-2	SCREW, DRIVE	66
-	1	1	1	1	986950-1	WASHER, FLAT PRECISION	64
-	1	1	1	1	21009-2	SCR, SET, SELF LOCKING 1/4-20 X .250	63
-	1	1	1	1	23030-1	SCR, SKT HD CAP 6-32 X .25	62
-	1	1	1	1	22733-8	SCR, BHSC, SELF-LOCKING, 8-32 X .375	60
-	1	1	1	1	2-22603-0	SCR, HEX HD CAP 8-32 X .312	59
-	1	1	1	1	458537-2	PAWL, FEED	56
-	4	4	4	4	2-21002-2	SCR, BTN SKT HD CAP 8-32 X .500	54
-	2	2	2	2	2-21000-8	SCR, SKT HD CAP 8-32 X .625	53
-	1	1	1	1	21018-5	NUT, HEX, REG 6-32	52
-	1	1	1	1	811242-2	BUMPER, HOLD DOWN	51
-	1	1	1	1	690753-1	SPACER, TONKER	50
-	-	1	-	-	690602-6	CAM, PRE FEED, 1/8	49
-	-	1	-	-	690602-5	CAM, PRE FEED, 1/8	48
-	1	1	1	1	690501-4	CAM, POST-FEED 1/8	47
-	1	1	1	1	459456-1	APPL. BASIC SUB ASSY (SIDE WISE MOCA)	46
-	1	1	1	1	690191-1	PLUG, NYLON	45
-	1	1	1	1	455673-1	RAM, SIDE FEED	44
-	1	1	1	1	690125-1	SHIM SUB-ASSY	43
-	1	1	1	1	690124-4	WASHER, RAM (.135)	42
-	1	1	1	1	7-21002-9	SCR, BTN SKT HD CAP 5/16-24 X 1.00	41
-	1	1	1	1	23241-6	BALL, STEEL	40
-	1	1	1	1	690170-1	SPRING, COMPRESSION	39
-	1	1	1	1	690142-1	DISC, INSULATION	38
-	1	1	1	1	354777-1	WIRE DISC, ASSEMBLY	37
-	1	1	1	1	22480-5	SPRING, COMPRESSION	36
-	1	1	1	1	690212-1	POST, RAM	35
-	1	1	1	1	690786-3	TERMINAL SUPPORT	34
-	2	2	2	2	2-21002-4	SCR, BTN SKT HD CAP 8-32 X .750	33
-	1	1	1	1	21024-5	WASHER, SPRG LOCK, REG NO 10	32
-	1	1	1	1	3-21000-4	SCR, SKT HD CAP 10-32 X .375	31
-	1	1	1	1	1320908-4	SPACER, STRIP GUIDE	30
-	1	1	1	1	1633091-1	ASSEMBLY, STRIP GUIDE	29
-	1	1	1	1	455888-1	SPACER, CRIMPER	28
-	1	1	1	1	1320928-3	PLATE, STRIP GUIDE	24
-	1	1	1	1	690472-2	STRIPPER	22
-	1	1	1	1	2-21000-7	SCR, SKT HD CAP 8-32 X .500	21
-	4	4	4	4	21024-4	WASHER, SPRG LOCK, REG NO 8	20
-	1	1	1	1	691353-1	STRIPPER	19
-	1	1	1	1	679625-1	SHEAR HOLDER, FRONT (NO CUT)	17
△	1	1	1	1	3-22280-3	SPRING, COMPRESSION	12
-	1	1	1	1	690461-1	STOP, SHEAR	11
-	1	1	1	1	690459-1	SHEAR HOLDER, FRONT	10
△	1	1	1	1	462006-1	FLOATING SHEAR, FRONT	9
△	1	1	1	1	9-1633117-6	ANVIL, COMBINATION	8
△	1	1	1	1	8-240641-8	SPACER	7
-	1	1	1	1	455889-9	DEPRESSOR, SHEAR	5
-	1	1	1	1	1-238011-0	BLOCK, CRIMPER SPACER	4
1	1	1	1	1	4-904741-3	CRIMPER, INSUL O PREMIUM	3
-	1	1	1	1	455888-1	SPACER, CRIMPER	2
△	1	1	1	1	9-1673600-5	CRIMPER, WIRE	1

DIMENSIONS:		TOLERANCES UNLESS OTHERWISE SPECIFIED:		MATERIAL:		FINISH:	
INCHES	9 PLC ±.01	PLC	±.01	PLC	±.01	PLC	±.01
	3 PLC ±.001	PLC	±.001	PLC	±.001	PLC	±.001
	4 PLC ±.0001	PLC	±.0001	PLC	±.0001	PLC	±.0001
	ANGLES						