

ICS20-F22U-7035 - Connection plate



1053051

<https://www.phoenixcontact.com/us/products/1053051>

Please be informed that the data shown in this PDF document is generated from our online catalog. Please find the complete data in the user documentation. Our general terms of use for downloads are valid.

DIN rail housing, ICS filler, with USB function cutout, width: 20 mm, height: 7.25 mm, depth: 22.4 mm, color: light grey (7035)



Your advantages

- Flexible use, thanks to the modular system and unique modularity in the connection technology
- Standardized connections such as RJ45, USB, D-SUB and antenna sockets as components that can be integrated
- Optimal space utilization, as well as adaptability of design, colors, and printing
- Customized processing for any customer-specific connection technology
- Easy and fast push-in mounting of assembled printed-circuit boards, thanks to stable guide rails

Commercial data

Item number	1053051
Packing unit	1 pc
Minimum order quantity	50 pc
Sales key	AC09
Product key	ACHAEE
GTIN	4055626676562
Weight per piece (including packing)	1.28 g
Weight per piece (excluding packing)	1.06 g
Customs tariff number	85389099
Country of origin	PL

ICS20-F22U-7035 - Connection plate

1053051

<https://www.phoenixcontact.com/us/products/1053051>

Technical data

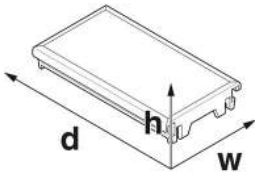
Notes

General	Refer to the data sheet for the range in the download area.
---------	---

Product properties

Product type	Connection plate
Product family	ICS20
Type	ICS filler, with USB function cutout
Housing type	DIN rail housing
Ventilation openings present	no
Housing series	ICS

Dimensions

Dimensional drawing	
Width	20 mm
Height	7.25 mm
Depth	22.4 mm

PCB design

PCB thickness	1.4 mm ... 1.8 mm
---------------	-------------------

Material specifications

Color	light grey (7035)
Flammability rating according to UL 94	V0
CTI according to IEC 60112	600
Surface characteristics	untreated
Housing material	Polyamide

Environmental and real-life conditions

Vibration test

Specification	IEC 60068-2-6:2007-12
Frequency	10 - 150 - 10 Hz
Sweep speed	1 octave/min
Amplitude	0.15 mm (10 Hz ... 58.1 Hz)
Acceleration	2g (58.1 Hz ... 150 Hz)
Test duration per axis	2.5 h
Test directions	X-, Y- and Z-axis

ICS20-F22U-7035 - Connection plate



1053051

<https://www.phoenixcontact.com/us/products/1053051>

Glow-wire test

Specification	IEC 60695-2-11:2014-02
Temperature	850 °C
Time of exposure	30 s

Thermal stability / ball thrust test

Specification	IEC 60695-10-2:2014-02
Temperature	125 °C
Test duration	1 h
Force	20 N

Mechanical strength / tumbling barrel

Specification	IEC 60068-2-31:2008-05
Height of fall	50 cm
Frequency	50

Shocks

Specification	IEC 60068-2-27:2008-02
Pulse shape	Half-sine
Acceleration	15g
Shock duration	11 ms
Number of shocks per direction	3
Test directions	X-, Y- and Z-axis (pos. and neg.)

Test for substances that would hinder coating with paint or varnish

Specification	VDMA 24364:2018-05
Result	Test passed

Ambient conditions

Max. IP code to attain	IP20
Ambient temperature (operation)	-40 °C ... 105 °C (depending on power dissipation)
Ambient temperature (storage/transport)	-40 °C ... 55 °C
Ambient temperature (assembly)	-5 °C ... 100 °C
Relative humidity (storage/transport)	80 %

PCB data

Number of PCB holders	2
Type of PCB mount	Slot
Thickness of the PCB	1.4 mm ... 1.8 mm

Mounting

Mounting type	Slot
---------------	------

ICS20-F22U-7035 - Connection plate

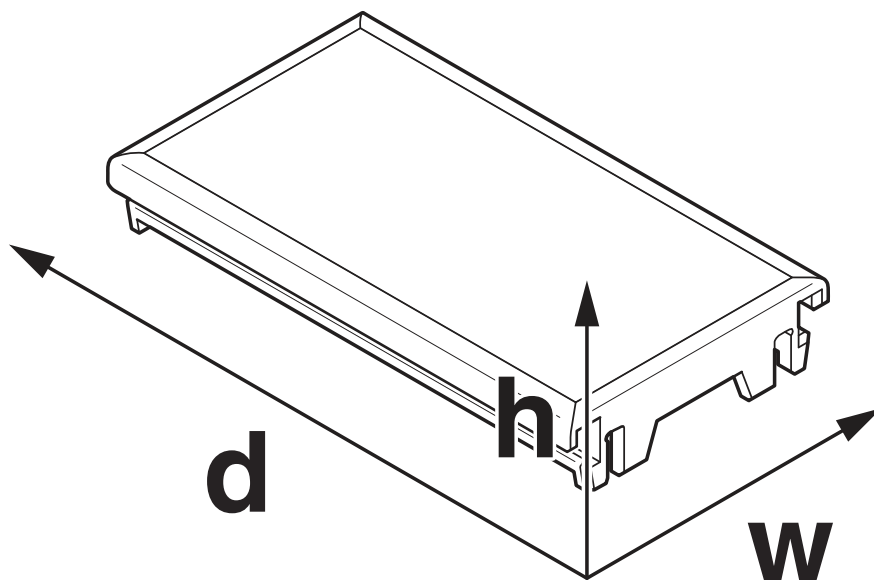


1053051

<https://www.phoenixcontact.com/us/products/1053051>

Drawings

Dimensional drawing



Schematic figure for illustrating the item dimensions. The figure is not of the desired product. For further details, refer to the product drawings in the "Downloads" tab.

ICS20-F22U-7035 - Connection plate



1053051

<https://www.phoenixcontact.com/us/products/1053051>

Approvals

To download certificates, visit the product detail page: <https://www.phoenixcontact.com/us/products/1053051>



UL Recognized

Approval ID: FILE E 240868

ICS20-F22U-7035 - Connection plate



1053051

<https://www.phoenixcontact.com/us/products/1053051>

Classifications

ECLASS

ECLASS-11.0	27182702
ECLASS-13.0	27190605

ETIM

ETIM 8.0	EC001031
----------	----------

UNSPSC

UNSPSC 21.0	31261500
-------------	----------

ICS20-F22U-7035 - Connection plate



1053051

<https://www.phoenixcontact.com/us/products/1053051>

Environmental product compliance

China RoHS	Environmentally friendly use period: unlimited = EFUP-e
	No hazardous substances above threshold values

ICS20-F22U-7035 - Connection plate

1053051

<https://www.phoenixcontact.com/us/products/1053051>

Mandatory accessories

ICS20-B100X98-O-7035 - Mounting base housing

1355944

<https://www.phoenixcontact.com/us/products/1355944>



DIN rail housing, Lower housing part with metal foot catch, width: 20 mm, height: 100 mm, depth: 108.35 mm, color: light grey (7035), cross connection: DIN rail connector (optional), number of positions cross connector: 8

ICS20-B100X98-V-7035 - Mounting base housing

2203878

<https://www.phoenixcontact.com/us/products/2203878>



DIN rail housing, Lower housing part with metal foot catch, Level 1: with vents, width: 20 mm, height: 100 mm, depth: 108.35 mm, color: light grey (7035), cross connection: DIN rail connector (optional), number of positions cross connector: 8

Accessories

ICS20-F22U-7035 - Connection plate

1053051

<https://www.phoenixcontact.com/us/products/1053051>



CUC-USB2.0-J1ST-AH/UAF-THT - USB PCB connectors

1332631

<https://www.phoenixcontact.com/us/products/1332631>



USB PCB connectors, degree of protection: IP20, number of positions: 4, 480 Mbps, material: Metal, connection method: Solder connection, cable outlet: straight, USB 2.0

CUC-USB2.0-J1ST-AH/UAF-SMD - USB PCB connectors

1332634

<https://www.phoenixcontact.com/us/products/1332634>



USB PCB connectors, degree of protection: IP20, number of positions: 4, 480 Mbps, material: Metal, connection method: Solder connection, cable outlet: straight, USB 2.0

ICS20-F22U-7035 - Connection plate

1053051

<https://www.phoenixcontact.com/us/products/1053051>



CUC-USB3.0-J1ST-AH/UAF-THT - USB PCB connectors

1332637

<https://www.phoenixcontact.com/us/products/1332637>



USB PCB connectors, degree of protection: IP20, number of positions: 9, 5 Gbps, material: Metal, connection method: Solder connection, cable outlet: straight, USB 3.0

ICS20-C100X12-7035 - Upper part of housing

2203879

<https://www.phoenixcontact.com/us/products/2203879>



DIN rail housing, Upper part, closed, width: 20 mm, height: 100 mm, depth: 14.35 mm, color: light grey (7035)

ICS20-F22U-7035 - Connection plate

1053051

<https://www.phoenixcontact.com/us/products/1053051>



ICS20-TL100X12-7035 - Upper part of housing

2203880

<https://www.phoenixcontact.com/us/products/2203880>

DIN rail housing, Upper part, with transparent hinged cover, width: 20 mm, height: 101 mm, depth: 14.35 mm, color: light grey (7035)



Phoenix Contact 2023 © - all rights reserved

<https://www.phoenixcontact.com>

Phoenix Contact USA
586 Fulling Mill Road
Middletown, PA 17057, United States
(+717) 944-1300
info@phoenixcon.com