

TOSHIBA PHOTOCOUPLER GaAs IRED & PHOTO-TRANSISTOR

# TLP124

OFFICE MACHINE

PROGRAMMABLE CONTROLLERS

AC/DC - INPUT MODULE

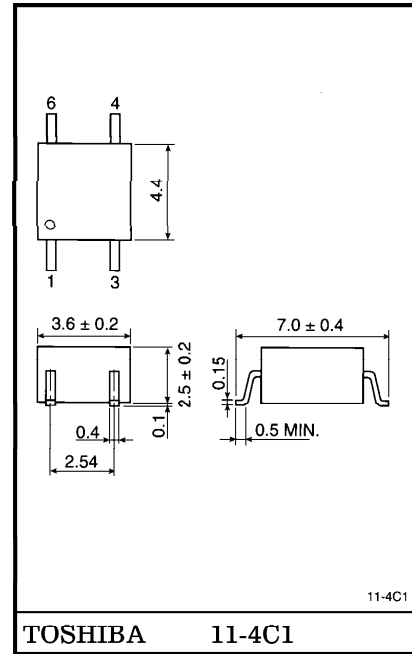
TELECOMMUNICATION

The TOSHIBA MINI FLAT COUPLER TLP124 is a small outline coupler, suitable for surface mount assembly.

TLP124 consists of a photo transistor optically coupled to a gallium arsenide infrared emitting diode.

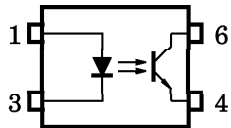
- Collector-Emitter Voltage : 80V Min.
- Current Transfer Ratio : 100% Min.  
Rank BV : 200% Min.
- Isolation Voltage : 3750 Vrms Min.
- UL Recognized : UL1577 File No. E67349

Unit in mm



Weight : 0.09g

**PIN CONFIGURATIONS (TOP VIEW)**



- 1 : ANODE
- 3 : CATHODE
- 4 : EMITTER
- 6 : COLLECTOR

961001EBC2

● TOSHIBA is continually working to improve the quality and the reliability of its products. Nevertheless, semiconductor devices in general can malfunction or fail due to their inherent electrical sensitivity and vulnerability to physical stress. It is the responsibility of the buyer, when utilizing TOSHIBA products, to observe standards of safety, and to avoid situations in which a malfunction or failure of a TOSHIBA product could cause loss of human life, bodily injury or damage to property. In developing your designs, please ensure that TOSHIBA products are used within specified operating ranges as set forth in the most recent products specifications. Also, please keep in mind the precautions and conditions set forth in the TOSHIBA Semiconductor Reliability Handbook.

● Gallium arsenide (GaAs) is a substance used in the products described in this document. GaAs dust and fumes are toxic. Do not break, cut or pulverize the product, or use chemicals to dissolve them. When disposing of the products, follow the appropriate regulations. Do not dispose of the products with other industrial waste or with domestic garbage.

● The products described in this document are subject to foreign exchange and foreign trade control laws.

● The information contained herein is presented only as a guide for the applications of our products. No responsibility is assumed by TOSHIBA CORPORATION for any infringements of intellectual property or other rights of the third parties which may result from its use. No license is granted by implication or otherwise under any intellectual property or other rights of TOSHIBA CORPORATION or others.

● The information contained herein is subject to change without notice.

CURRENT TRANSFER RATIO

CLASSIFI- CATION	CURRENT TRANSFER RATIO (Min.)			MARKING OF CLASSIFI- CATION
	Ta = 25°C		Ta = -25~75°C	
	IF = 1mA VCE = 0.5V	IF = 0.5mA VCE = 1.5V	IF = 1mA VCE = 0.5V	
Rank BV	200%	100%	100%	BV
Standard	100%	50%	50%	BV, Blank

(Note) Application type name for certification test, please use standard product type name, i. e. TLP124 (BV) : TLP124

MAXIMUM RATINGS (Ta = 25°C)

CHARACTERISTIC		SYMBOL	RATING	UNIT
LED	Forward Current	IF	50	mA
	Forward Current Derating	$\Delta I_F / ^\circ C$	-0.7 (Ta $\geq$ 53°C)	mA / °C
	Peak Forward Current (100 $\mu$ s pulse, 100pps)	IFP	1	A
	Reverse Voltage	VR	5	V
	Junction Temperature	Tj	125	°C
DETECTOR	Collector - Emitter Voltage	VCEO	80	V
	Emitter - Collector Voltage	VECO	7	V
	Collector Current	IC	50	mA
	Peak Collector Current (10ms pulse, 100pps)	ICP	100	mA
	Power Dissipation	PC	150	mW
	Power Dissipation Derating (Ta $\geq$ 25°C)	$\Delta P_C / ^\circ C$	-1.5	mA / °C
	Junction Temperature	Tj	125	°C
	Storage Temperature Range	Tstg	-55~125	°C
Operating Temperature Range	Topr	-55~100	°C	
Lead Soldering Temperature (10s)	Tsol	260	°C	
Total Package Power Dissipation	PT	200	mW	
Total Package Power Dissipation Derating (Ta $\geq$ 25°C)	$\Delta P_T / ^\circ C$	-2.0	mW / °C	
Isolation Voltage (AC, 1min., R.H. $\leq$ 60%) (Note 1)	BVS	3750	Vrms	

(Note 1) Device considered a two terminal device : Pins 1, 3 shorted together and pins 4, 6 shorted together.

RECOMMENDED OPERATING CONDITIONS

CHARACTERISTIC	SYMBOL	MIN.	TYP.	MAX.	UNIT
Supply Voltage	V <sub>CC</sub>	—	5	48	V
Forward Current	I <sub>F</sub>	—	1.6	20	mA
Collector Current	I <sub>C</sub>	—	1	10	mA
Operating Temperature	T <sub>opr</sub>	-25	—	75	°C

INDIVIDUAL ELECTRICAL CHARACTERISTICS (Ta = 25°C)

CHARACTERISTIC		SYMBOL	TEST CONDITION	MIN.	TYP.	MAX.	UNIT
LED	Forward Voltage	V <sub>F</sub>	I <sub>F</sub> = 10mA	1.0	1.15	1.3	V
	Reverse Current	I <sub>R</sub>	V <sub>R</sub> = 5V	—	—	10	μA
	Capacitance	C <sub>T</sub>	V = 0, f = 1MHz	—	30	—	pF
DETECTOR	Collector - Emitter Breakdown Voltage	V <sub>(BR)CEO</sub>	I <sub>C</sub> = 0.5mA	80	—	—	V
	Emitter - Collector Breakdown Voltage	V <sub>(BR)ECO</sub>	I <sub>E</sub> = 0.1mA	7	—	—	V
	Collector Dark Current	I <sub>D</sub>	V <sub>CE</sub> = 48V	—	10	100	nA
			V <sub>CE</sub> = 48V, Ta = 85°C	—	2	50	μA
Capacitance Collector to Emitter	C <sub>CCE</sub>	V = 0, f = 1MHz	—	12	—	pF	

COUPLED ELECTRICAL CHARACTERISTICS (Ta = 25°C)

CHARACTERISTIC	SYMBOL	TEST CONDITION	MIN.	TYP.	MAX.	UNIT
Current Transfer Ratio	I <sub>C</sub> / I <sub>F</sub>	I <sub>F</sub> = 1mA, V <sub>CE</sub> = 0.5V Rank BV	100	—	1200	%
			200	—	1200	
Low Input CTR	I <sub>C</sub> / I <sub>F</sub> (low)	I <sub>F</sub> = 0.5mA, V <sub>CE</sub> = 1.5V Rank BV	50	—	—	%
			100	—	—	
Collector - Emitter Saturation Voltage	V <sub>CE(sat)</sub>	I <sub>C</sub> = 0.5mA, I <sub>F</sub> = 1mA I <sub>C</sub> = 1mA, I <sub>F</sub> = 1mA Rank BV	—	—	0.4	V
			—	0.2	—	
			—	—	0.4	
Off - State Collector Current	I <sub>C(off)</sub>	V <sub>F</sub> = 0.7V, V <sub>CE</sub> = 48V	—	—	10	μA

COUPLED ELECTRICAL CHARACTERISTICS (Ta = -25~75°C)

CHARACTERISTIC	SYMBOL	TEST CONDITION	MIN.	TYP.	MAX.	UNIT
Current Transfer Ratio	I <sub>C</sub> / I <sub>F</sub>	I <sub>F</sub> = 1mA, V <sub>CE</sub> = 0.5V Rank BV	50	—	—	%
			100	—	—	
Low Input CTR	I <sub>C</sub> / I <sub>F</sub> (low)	I <sub>F</sub> = 0.5mA, V <sub>CE</sub> = 1.5V Rank BV	—	50	—	%
			—	100	—	

ISOLATION CHARACTERISTICS (Ta = 25°C)

CHARACTERISTIC	SYMBOL	TEST CONDITION	MIN.	TYP.	MAX.	UNIT
Capacitance (Input to Output)	C <sub>S</sub>	V <sub>S</sub> =0, f=1MHz	—	0.8	—	pF
Isolation Resistance	R <sub>S</sub>	V <sub>S</sub> =500V, R.H. ≤ 60%	5×10 <sup>10</sup>	10 <sup>14</sup>	—	Ω
Isolation Voltage	BV <sub>S</sub>	AC, 1minute	3750	—	—	V <sub>rms</sub>
		AC, 1s, in oil	—	10000	—	
		DC, 1minute, in oil	—	10000	—	V <sub>dc</sub>

SWITCHING CHARACTERISTICS (Ta = 25°C)

CHARACTERISTIC	SYMBOL	TEST CONDITION	MIN.	TYP.	MAX.	UNIT
Rise Time	t <sub>r</sub>	V <sub>CC</sub> =10V, I <sub>C</sub> =2mA R <sub>L</sub> =100Ω	—	8	—	μs
Fall Time	t <sub>f</sub>		—	8	—	
Turn - on Time	t <sub>ON</sub>		—	10	—	
Turn - off Time	t <sub>OFF</sub>		—	8	—	
Turn - on Time	t <sub>ON</sub>	R <sub>L</sub> =4.7kΩ (Fig.1) V <sub>CC</sub> =5V, I <sub>F</sub> =1.6mA	—	10	—	μs
Storage Time	t <sub>s</sub>		—	50	—	
Turn - off Time	t <sub>OFF</sub>		—	300	—	

Fig. 1 SWITCHING TIME TEST CIRCUIT

