

■ **Features**

- Single output to 25-36W
- 100-240Vac Universal input
- Certificates: UL, CE
- Safety agency requirements and EMI/EMS Certified
- Frequency: 50-60Hz
- OVP, OCP, and SCP
- Efficiency level: VI
- Available Plug types: US, EU, AU, UK, KC, CN plug
- Space saver design
- Industrial Grade available
- 1-year Warranty



\*Product images are for illustrative purposes only and may vary from actual design.

■ **Application**

- Medical equipment

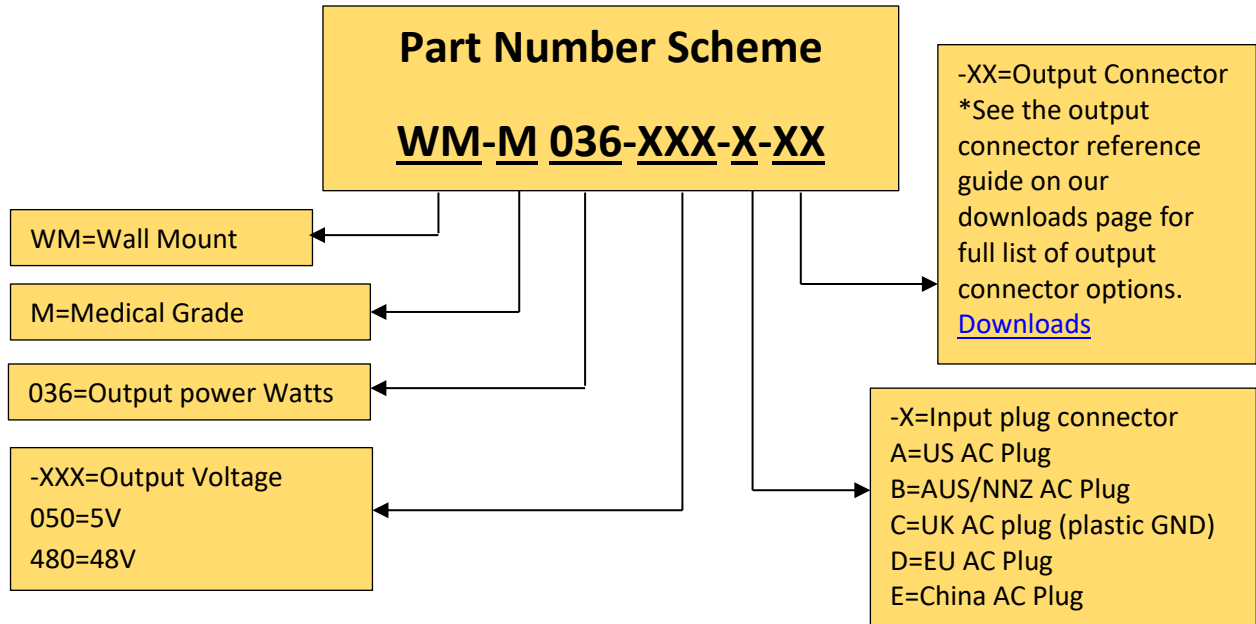
■ **Model List**

**Custom Designs Available!**

| Model            | Output Voltage | Output Current | Power | Certifications |
|------------------|----------------|----------------|-------|----------------|
| WM-M036-050-X-XX | 5V             | 5A             | 25W   | UL, CE         |
| WM-M036-075-X-XX | 7.5V           | 4A             | 30W   | UL, CE         |
| WM-M036-085-X-XX | 8.5V           | 3.52A          | 30W   | UL, CE         |
| WM-M036-090-X-XX | 4              | 3.34A          | 30W   | UL, CE         |
| WM-M036-120-X-XX | 12V            | 3A             | 36W   | UL, CE         |
| WM-M036-135-X-XX | 13.5V          | 2.66A          | 36W   | UL, CE         |
| WM-M036-150-X-XX | 15V            | 2.4A           | 36W   | UL, CE         |
| WM-M036-160-X-XX | 16V            | 2.25A          | 36W   | UL, CE         |
| WM-M036-180-X-XX | 18V            | 2A             | 36W   | UL, CE         |
| WM-M036-240-X-XX | 24V            | 1.5A           | 36W   | UL, CE         |
| WM-M036-480-X-XX | 48V            | 0.75A          | 36W   | UL, CE         |

■ Technical Data

|                             |  |
|-----------------------------|--|
| Input Voltage               | 100-240Vac   |
| Line Frequency              | 50-60Hz  |
| Input Current               | 1A Max.  |
| Protection                  | Internal Primary Current Fuse  |
| Configuration               | A=US AC Plug<br>B=AUS/NNZ AC Plug<br>C=UK AC plug (plastic GND)<br>D=EU AC Plug<br>E=China AC Plug |
| Load Regulation             | ±5%  |
| Ripple                      | 2% Vp-p Max. for output voltage@ Full Load   |
| Transient Response          | 0.5mS for 50% Load change typical  |
| Hold-up Time                | 10mS@Full load   |
| Protection                  | SCP/OVP/OCP  |
| DC Cord                     | 22AWG/20AWG/18AWG/16AWG  |
| Ferrite Core                | No(optional)   |
| Topology                    | Switching Flyback  |
| Dielectric Withstand        | 3000Vac Primary to Secondary   |
| Leakage Current             | 0.25mA   |
| Efficiency                  | DoE Level VI, Energy Star, ErP Stage 2, Coc Tier 2, NRCan & GEMS Level VI certified                |
| MTBF                        | 300,000 calculated hours at 25°C by Telcordia SR-332   |
| Operating Temperature       | 0 to +40°C   |
| Storage Temperature         | -20 to +80°C   |
| Relative Humidity Operating | 20-80% RH  |
| Relative Humidity Storage   | 10-90% RH  |
| Cooling                     | Natural Convection Cooling   |
| Case Dimension              | A=79x34x74   |
|                             | B=79x41x82   |
|                             | C=79x49x86   |
|                             | D=79x34x94   |
| Weight                      | 160g   |



\*Product images are for illustrative purposes only and may vary from actual design.

\*Specifications are subject to change without notice. Autec is not responsible for issues arising from errors or omissions.