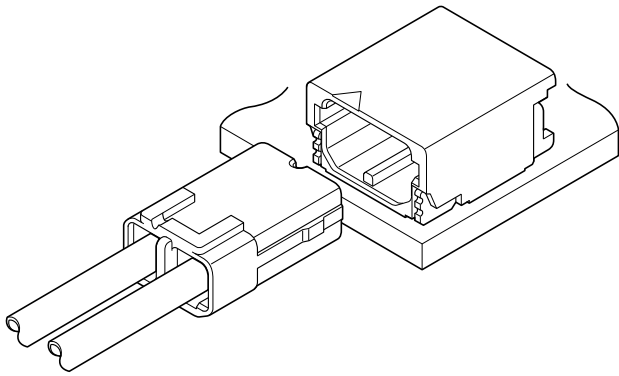




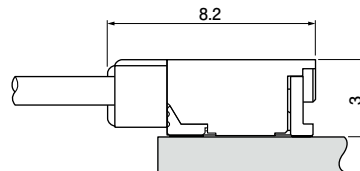
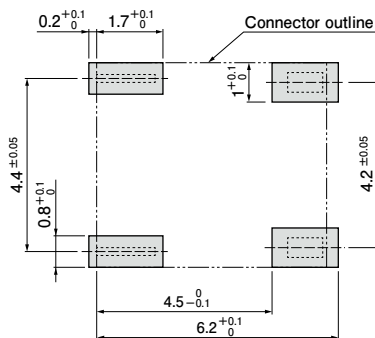
SFH CONNECTOR

1.8 mm pitch/Disconnectable Crimp style connectors



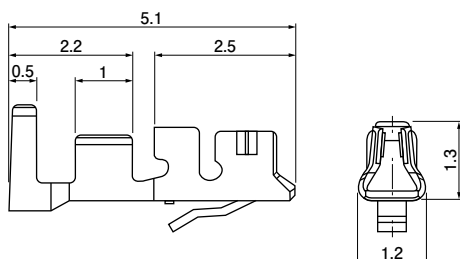
This low profile type connector with height of 3.0mm is designed for connection to stroboscope flash and realized space saving.

- Contact lance
- Countermeasure for inverse insertion and locking feature



- Note: 1. The above figure is the figure viewed from the connector mounting side.
 2. Tolerances are non-cumulative: ± 0.05mm for all centers.
 3. The dimensions above should serve as a guideline. Contact JST for details.

Contact



Standards

- Ⓜ : Recognized E60389
- Ⓢ : Certified LR20812

Specifications

- Current rating: 4 A AC/DC (AWG #22)
- Voltage rating: 350 V AC/DC
- Temperature range: -25°C to +85°C
(including temperature rise in applying electrical current)
- Contact resistance: Initial value/10 mΩ max.
After environmental testing/ 20 mΩ max.
- Insulation resistance: 1,000 MΩ min.
- Withstanding voltage: 1,700 V AC/minute
- Applicable wire: Conductor size/ AWG #30 to #22
Insulation O.D./ 0.7 to 1.3mm
- * Compliant with RoHS.
- * Refer to "General Instruction and Notice when using Terminals and Connectors" at the end of this catalog.
- * Contact JST for details.

Model No.	Applicable wire			Q'ty/ reel
	mm ²	AWG#	Insulation O.D. (mm)	
SSFH-001T-P0.5	0.13 to 0.33	26 to 22	0.95 to 1.3	15,000
SSFH-002T-P0.5	0.05 to 0.13	30 to 26	0.7 to 1.25	15,000

Material and Finish

Copper alloy, tin-plated (reflow treatment)

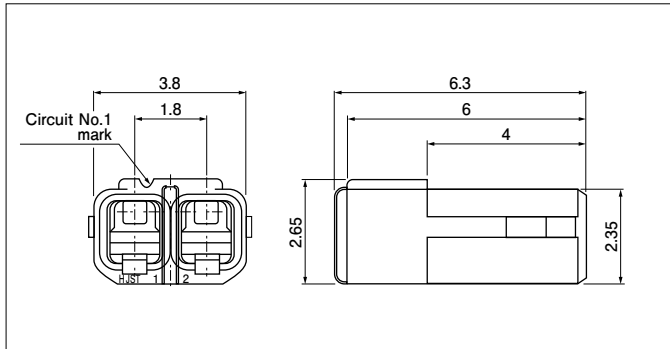
RoHS compliance

Contact	Crimping machine	Applicator		
		Crimp applicator	Dies	Crimp applicator with dies
SSFH-001T-P0.5	AP-K2N	MKS-L	MK/SSFH-001-05	APLMK SSFH001-05
		-	-	-
SSFH-002T-P0.5	AP-K2N	MKS-L	MK/SSFH-002-05	APLMK SSFH002-05
		-	-	-

Note: Contact JST for fully automatic crimping applicator.

SFH CONNECTOR

Housing



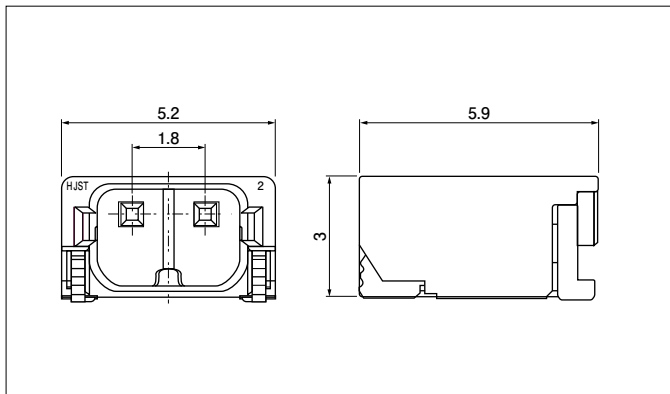
No. of circuits	Model No.	Q'ty/bag
2	SFHR-02V-R	1,000

Material and Finish

Thermoplastic resin, UL94V-0

RoHS compliance

Header



No. of circuits	Model No.	Q'ty/reel
2	SM02B-SFHRS-TF	2,000

Material and Finish

Press pin: Copper alloy, copper-undercoated, tin-plated (reflow treatment)
 Wafer: Heat resisting resin, UL94V-0
 Solder tab: Copper alloy, copper-undercoated, tin-plated (reflow treatment)

RoHS compliance This product displays (LF)(SN) on a label.

Model number allocation

Contact

S SFH- 001 T - P 0.5

Form: S···Strip form

Series name

Applicable wire range: 001···AWG #26 to #22
 002···AWG #30 to #26

Surface finish: T···Tin-platead (reflow treatment)

Material: P···Copper alloy

Terminal size

Housing

SFH R - 02 V - R

Series name

Part name: Receptacle

No. of circuits: 2

Flammability: V···UL94V-0

Color: R···Red, L···Lemon yellow

Header

SM 02 B - SFH R S - TF

Shape of assembled product:
 SM···SMT side entry style

No. of circuits: 2

Part name: Header

Series name

Color: R···Red, L···Lemon yellow

Indication of clinch: S···Straight pin

Packaging style: TF···Embossed-taping