

**Schematic Cross Section**



### APPLICATIONS

- Commodity Product:
  - Decoupling with AC or pulse components
  - High current uses (TV deflection coils)
  - Capacitive dividers
  - Energy saving lamps, etc.

### TECHNOLOGY

- Dielectric: Polyester film
- Stacked-film for pitch 7.5, 10 & 15mm (63Vdc...400Vdc)  
Wound capacitor for pitch 7.5 & 10 & 15mm (630Vdc/1000Vdc)  
for pitch 22.5 & 27.5mm (63Vdc/1000Vdc)
- Leads: Radial tinned copper wire
- Protection: Plastic case (UL94: V-O) / Polyurethane resin
- Marking: Logo  
Type  
Nominal Capacitance  
Tolerance (EIA)  
DC Nominal Voltage  
Example: **T BN 47n J 400**
- Delivery Mode: Bulk  
Taped (reel)

### PERFORMANCE CHARACTERISTICS

Climatic Category:	55/125/56 Performance Class 2				
Capacitance Range:	C <sub>R</sub> 1 nF to 22 μF (E6)				
Tolerances on C <sub>R</sub> :	±5%, ±10%, ±20% (other values on request)				
Nominal Voltages:	V <sub>R-</sub> 63/100/250/400/630/1000 V V <sub>R-</sub> 40/63/115/200/220/450 V				
Category Voltage:	V <sub>c</sub> = Un at 100°C & 0.5 Un at 125°C				
Test Voltage:	V <sub>e</sub> = 1.6 Undc/2 s at 20°C				
Total Self Inductance (L):	For lead length = 2mm				
Pitch (mm)	7.5	10	15	22.5	27.5
L (nH)	8	9	10	18	18

Tangent of Loss Angle at 1 kHz:	D.F. ≤ 100·10 <sup>-4</sup> for C > 0.1 μF ≤ 80·10 <sup>-4</sup> for C ≤ 0.1 μF
Insulation Resistance:	IR ≥ 3.75 GΩ for C ≤ 0.33 μF IR (MΩ) * C(μF) ≥ 1250 s for C > 0.33 μF measures at 10V for Un=63Vdc and 100V for others

dv/dt: (V/μsec)

V <sub>R-</sub>	63	100	250	400	630	1000
(dv/dt) <sub>R</sub> max pitch: 7.5mm	60	75	120	300	440	
(dv/dt) <sub>R</sub> max pitch: 10mm	30	40	50	110	112	800
(dv/dt) <sub>R</sub> max pitch: 15mm	23	27	34	79	102	400
(dv/dt) <sub>R</sub> max pitch: 22.5mm	8	9	14	25	25	380
(dv/dt) <sub>R</sub> max pitch: 27.5mm	5	5	6	8	15	340

Thermal Resistance: R<sub>th</sub> hot spot/ambient (°C/W)

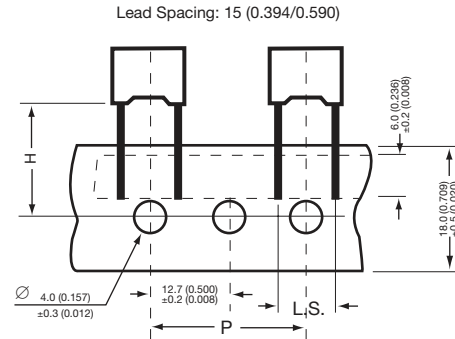
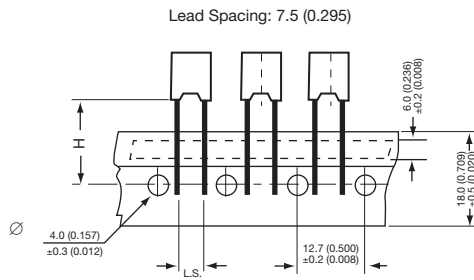
Pitch (mm)	7.5mm			10mm			15mm			22.5mm			27.5mm						
Case	1	2	C	D	E0	4	5	6	9	10	11	12	13	16	P0	18	19	26	R68
R <sub>th</sub> (stacked)	201	147		117	140	124	90	88	61	82									
R <sub>th</sub> (wound)	201	147		117	140	124	90	123	86	75	64	53	48	42	40	33	30	27	23

### STANDARDIZATION

- Generic specifications:**  
CEI 384-1/CECC 30000/UTE 83100
- Sectional specifications:**  
CEI 384-2/CECC 30400/UTE 83151

### PACKAGING

#### • Reel



Adhesive tape ▲

(Other sizes according to standard CEI : 286-2)  
Dimensions: millimeters (inches)

Taping Suffix EN			
Lead Spacing Tol ±0.4 (0.016)			
	7.5 (0.295)	10 (0.394)	15 (0.590)
P	12.7 ±1 (0.5 ±0.039)	25.4 ±1 (1.0 ±0.039)	
H	16.5 ±0.3 (0.650 ±0.012)	16 +1.5/-0.5 (0.600 +0.059/-0.020)	

#### • Bulk

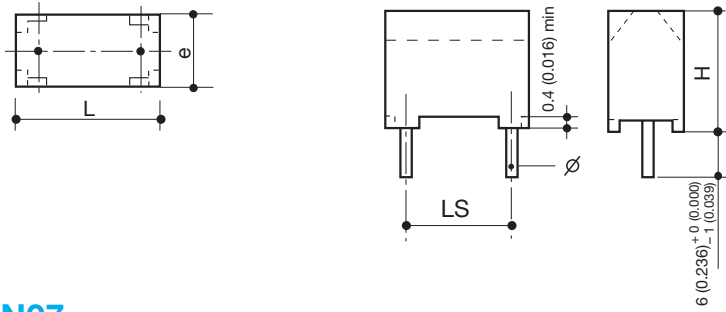
Suffix	- -	LG	KB	KC	KE	KH	KK	K3	K7
Leads Length	6mm +0/-1	3.2mm ±0.4	3.5mm ±0.5	4mm ±0.5	5mm ±0.5	9mm ±0.5	15mm ±0.5	20mm ±1	25mm ±1

Standard Suffix: - -  
Special MOQ for these special suffix

# BN 07/10/15/22/27



Pitch = 7.5mm



## BN07

Pitch mm	Ordering Code	Vr-/Vr~	Cr	Case	Dimensions (mm)			MOQ		∅ +10% -0.5 mm	I <sup>2</sup> t (A <sup>2</sup> .sec)	I <sub>rms</sub> (A)
					L max	H max	e max	Reel	Bulk <sup>(1)</sup>			
7.5	BN074D0683+-	63/40	68nF	1	9.3	8.2	3.3	8000	12,000	0.6	8.33 x 10 <sup>-4</sup>	0.357
7.5	BN074D0104+-		100nF	1	9.3	8.2	3.3	8000	12,000	0.6	1.41 x 10 <sup>-3</sup>	0.48
7.5	BN074D0224+-		220nF	1	9.3	8.2	3.3	8000	12,000	0.6	2.79 x 10 <sup>-3</sup>	0.53
7.5	BN074D0334+-		330nF	1	9.3	8.2	3.3	8000	12,000	0.6	3.63 x 10 <sup>-3</sup>	0.64
7.5	BN074D0474+-		470nF	1	9.3	8.2	3.3	8000	12,000	0.6	5.11 x 10 <sup>-3</sup>	0.84
7.5	BN074D0684+-		680nF	2	10.1	10.2	5.2	10,000	14,000	0.6	1.54 x 10 <sup>-2</sup>	1.33
7.5	BN074D0105+-		1µF	2	10.1	10.2	5.2	10,000	14,000	0.6	2.78 x 10 <sup>-2</sup>	1.77
7.5	BN074D0225+-		2.2µF	D	10.1	12.2	6.2	8000	8000	0.6	1.12 x 10 <sup>-1</sup>	4
7.5	BN074E0333+-	100/63	33nF	1	9.3	8.2	3.3	8000	12,000	0.6	4.52 x 10 <sup>-4</sup>	0.21
7.5	BN074E0473+-		47nF	1	9.3	8.2	3.3	8000	12,000	0.6	6.12 x 10 <sup>-4</sup>	0.29
7.5	BN074E0104+-		100nF	1	9.3	8.2	3.3	8000	12,000	0.6	1.41 x 10 <sup>-3</sup>	0.48
7.5	BN074E0224+-		220nF	1	9.3	8.2	3.3	8000	12,000	0.6	2.79 x 10 <sup>-3</sup>	0.53
7.5	BN074E0334+-		330nF	2	10.1	10.2	5.2	10,000	14,000	0.6	7.85 x 10 <sup>-3</sup>	1.00
7.5	BN074E0474+-		470nF	2	10.1	10.2	5.2	10,000	14,000	0.6	1.27 x 10 <sup>-2</sup>	1.16
7.5	BN074E0684+-		680nF	C	10.1	11.2	5.2	10,000	12,000	0.6	2.23 x 10 <sup>-2</sup>	1.48
7.5	BN074E0105+-		1µF	D	10.1	12.2	6.2	8000	8000	0.6	4.61 x 10 <sup>-2</sup>	2.18
7.5	BN074G0472+-	250/115	4.7nF	1	9.3	8.2	3.3	8000	12,000	0.6	6.88 x 10 <sup>-5</sup>	0.05
7.5	BN074G0682+-		6.8nF	1	9.3	8.2	3.3	8000	12,000	0.6	9.61 x 10 <sup>-4</sup>	0.08
7.5	BN074G0103+-		10nF	1	9.3	8.2	3.3	8000	12,000	0.6	2.45 x 10 <sup>-4</sup>	0.14
7.5	BN074G0223+-		22nF	1	9.3	8.2	3.3	8000	12,000	0.6	3.62 x 10 <sup>-4</sup>	0.19
7.5	BN074G0333+-		33nF	1	9.3	8.2	3.3	8000	12,000	0.6	4.52 x 10 <sup>-4</sup>	0.21
7.5	BN074G0473+-		47nF	1	9.3	8.2	3.3	8000	12,000	0.6	6.11 x 10 <sup>-4</sup>	0.29
7.5	BN074G0104+-		100nF	2	10.1	10.2	5.2	10,000	14,000	0.6	1.85 x 10 <sup>-3</sup>	0.53
7.5	BN074G0224+-		220nF	D	10.1	12.2	6.2	8000	8000	0.6	8.93 x 10 <sup>-3</sup>	1.53
7.5	BN074I0102+-	400/200	1nF	1	9.3	8.2	3.3	8000	12,000	0.6	1.10 x 10 <sup>-5</sup>	0.02
7.5	BN074I0222+-		2.2nF	1	9.3	8.2	3.3	8000	12,000	0.6	3.63 x 10 <sup>-5</sup>	0.03
7.5	BN074I0332+-		3.3nF	1	9.3	8.2	3.3	8000	12,000	0.6	5.09 x 10 <sup>-5</sup>	0.04
7.5	BN074I0472+-		4.7nF	1	9.3	8.2	3.3	8000	12,000	0.6	6.88 x 10 <sup>-5</sup>	0.05
7.5	BN074I0103+-		10nF	1	9.3	8.2	3.3	8000	12,000	0.6	2.45 x 10 <sup>-4</sup>	0.14
7.5	BN074I0223+-		22nF	1	9.3	8.2	3.3	8000	12,000	0.6	3.62 x 10 <sup>-4</sup>	0.19
7.5	BN074I0333+-		33nF	2	10.1	10.2	5.2	10,000	14,000	0.6	1.44 x 10 <sup>-3</sup>	0.38
7.5	BN074I0473+-		47nF	2	10.1	10.2	5.2	10,000	14,000	0.6	1.65 x 10 <sup>-3</sup>	0.40
7.5	BN074I0683+-	68nF	C	10.1	11.2	5.2	10,000	12,000	0.6	3.46 x 10 <sup>-3</sup>	0.59	
7.5	BN074I0823+-	82nF	D	10.1	12.2	6.2	8000	8000	0.6	5.03 x 10 <sup>-3</sup>	0.71	
7.5	BN074K0102+-	630/220	1nF	1	9.3	8.2	3.3	8000	12,000	0.6	9.0 x 10 <sup>-7</sup>	0.027
7.5	BN074K0152+-		1.5nF	1	9.3	8.2	3.3	8000	12,000	0.6	2.0 x 10 <sup>-6</sup>	0.027
7.5	BN074K0222+-		2.2nF	1	9.3	8.2	3.3	8000	12,000	0.6	2.3 x 10 <sup>-6</sup>	0.027
7.5	BN074K0332+-		3.3nF	1	9.3	8.2	3.3	8000	12,000	0.6	2.5 x 10 <sup>-6</sup>	0.027
7.5	BN074K0472+-		4.7nF	1	9.3	8.2	3.3	8000	12,000	0.6	5.7 x 10 <sup>-6</sup>	0.027
7.5	BN074K0682+-		6.8nF	2	10.1	10.2	5.2	10,000	14,000	0.6	1.2 x 10 <sup>-5</sup>	0.14
7.5	BN074K0103+-		10nF	2	10.1	10.2	5.2	10,000	14,000	0.6	2.6 x 10 <sup>-5</sup>	0.14
7.5	BN074K0153+-		15nF	C	10.1	11.2	5.2	10,000	12,000	0.6	5.8 x 10 <sup>-5</sup>	0.22
7.5	BN074K0223+-		22nF	D	10.1	12.2	6.2	8000	8000	0.6	1.2 x 10 <sup>-4</sup>	0.34
7.5	BN074K0273+-		27nF	D	10.1	12.2	6.2	8000	8000	0.6	1.8 x 10 <sup>-4</sup>	0.34

Replace the + by the tolerance code: J=5% - K=10% - M=20%

Replace the - - by the packaging suffix: - - = standard bulk - EN = taping on reel etc

<sup>(1)</sup>: MOQ for standard bulk suffix - -

# BN 07/10/15/22/27



Pitch = 10mm

## BN10

Pitch mm	Ordering Code	Vr-/Vr~	Cr	Case	Dimensions (mm)			MOQ		∅ +10% -0.5 mm	I <sup>2</sup> t (A <sup>2</sup> .sec)	I <sub>rms</sub> (A)
					L max	H max	e max	Reel	Bulk <sup>(1)</sup>			
10	BN104D0224+- -	63/40	220nF	E0	12.7	9.2	4.2	6800	14,000	0.6	2.20 x 10 <sup>-3</sup>	0.71
10	BN104D0334+- -		330nF	E0	12.7	9.2	4.2	6800	14,000	0.6	3.54 x 10 <sup>-3</sup>	0.73
10	BN104D0474+- -		470nF	E0	12.7	9.2	4.2	6800	14,000	0.6	5.74 x 10 <sup>-3</sup>	0.765
10	BN104D0684+- -		680nF	E0	12.7	9.2	4.2	6800	14,000	0.6	6.84 x 10 <sup>-3</sup>	0.837
10	BN104D0105+- -		1µF	E0	12.7	9.2	4.2	6800	14,000	0.6	1.11 x 10 <sup>-2</sup>	1.23
10	BN104D0155+- -		1.5µF	4	12.7	10.2	5.2	5600	10,000	0.6	2.50 x 10 <sup>-2</sup>	1.83
10	BN104D0225+- -		2.2µF	5	12.7	13.6	5.2	5600	8000	0.6	5.37 x 10 <sup>-2</sup>	2.685
10	BN104E0683+- -		100/63	68nF	E0	12.7	9.2	4.2	6800	14,000	0.6	8.74 x 10 <sup>-4</sup>
10	BN104E0104+- -	100nF		E0	12.7	9.2	4.2	6800	14,000	0.6	1.33 x 10 <sup>-3</sup>	0.40
10	BN104E0154+- -	150nF		E0	12.7	9.2	4.2	6800	14,000	0.6	1.47 x 10 <sup>-3</sup>	0.667
10	BN104E0224+- -	220nF		E0	12.7	9.2	4.2	6800	14,000	0.6	2.20 x 10 <sup>-3</sup>	0.71
10	BN104E0334+- -	330nF		E0	12.7	9.2	4.2	6800	14,000	0.6	3.54 x 10 <sup>-3</sup>	0.73
10	BN104E0474+- -	470nF		E0	12.7	9.2	4.2	6800	14,000	0.6	5.74 x 10 <sup>-3</sup>	0.765
10	BN104E0684+- -	680nF		4	12.7	10.2	5.2	5600	10,000	0.6	1.20 x 10 <sup>-2</sup>	1.107
10	BN104E0105+- -	1000nF		5	12.7	13.6	5.2	5600	8000	0.6	2.60 x 10 <sup>-2</sup>	1.629
10	BN104G0333+- -	250/115	33nF	E0	12.7	9.2	4.2	6800	14,000	0.6	4.86 x 10 <sup>-4</sup>	0.21
10	BN104G0473+- -		47nF	E0	12.7	9.2	4.2	6800	14,000	0.6	6.01 x 10 <sup>-4</sup>	0.26
10	BN104G0683+- -		68nF	E0	12.7	9.2	4.2	6800	14,000	0.6	8.74 x 10 <sup>-4</sup>	0.32
10	BN104G0104+- -		100nF	E0	12.7	9.2	4.2	6800	14,000	0.6	1.33 x 10 <sup>-3</sup>	0.4
10	BN104G0154+- -		150nF	E0	12.7	9.2	4.2	6800	14,000	0.6	1.47 x 10 <sup>-3</sup>	0.5
10	BN104G0224+- -		220nF	4	12.7	10.2	5.2	5600	10,000	0.6	3.16 x 10 <sup>-3</sup>	0.73
10	BN104G0334+- -		330nF	4	12.7	10.2	5.2	5600	10,000	0.6	7.11 x 10 <sup>-3</sup>	1.1
10	BN104G0474+- -		470nF	5	12.7	13.6	5.2	5600	8000	0.6	1.44 x 10 <sup>-2</sup>	1.57
10	BN104I0472+- -	400/200	4.7nF	E0	12.7	9.2	4.2	6800	14,000	0.6	6.03 x 10 <sup>-5</sup>	0.043
10	BN104I0682+- -		6.8nF	E0	12.7	9.2	4.2	6800	14,000	0.6	9.96 x 10 <sup>-5</sup>	0.07
10	BN104I0103+- -		10nF	E0	12.7	9.2	4.2	6800	14,000	0.6	1.13 x 10 <sup>-4</sup>	0.088
10	BN104I0153+- -		15nF	E0	12.7	9.2	4.2	6800	14,000	0.6	1.70 x 10 <sup>-4</sup>	0.129
10	BN104I0223+- -		22nF	E0	12.7	9.2	4.2	6800	14,000	0.6	3.31 x 10 <sup>-4</sup>	0.157
10	BN104I0333+- -		33nF	E0	12.7	9.2	4.2	6800	14,000	0.6	4.66 x 10 <sup>-4</sup>	0.213
10	BN104I0473+- -		47nF	E0	12.7	9.2	4.2	6800	14,000	0.6	6.01 x 10 <sup>-4</sup>	0.26
10	BN104I0683+- -		68nF	4	12.7	10.2	5.2	5600	10,000	0.6	1.26 x 10 <sup>-3</sup>	0.35
10	BN104I0104+- -	100nF	5	12.7	13.6	5.2	5600	8000	0.6	2.72 x 10 <sup>-3</sup>	0.52	
10	BN104K0472+- -	630/220	4.7nF	E0	12.7	9.2	4.2	6800	14,000	0.6	2.16 x 10 <sup>-5</sup>	0.05
10	BN104K0682+- -		6.8nF	E0	12.7	9.2	4.2	6800	14,000	0.6	4.53 x 10 <sup>-5</sup>	0.07
10	BN104K0103+- -		10nF	E0	12.7	9.2	4.2	6800	14,000	0.6	9.74 x 10 <sup>-5</sup>	0.08
10	BN104K0153+- -		15nF	E0	12.7	9.2	4.2	6800	14,000	0.6	2.20 x 10 <sup>-4</sup>	0.10
10	BN104K0223+- -		22nF	4	12.7	10.2	5.2	5600	10,000	0.6	4.74 x 10 <sup>-4</sup>	0.14
10	BN104K0333+- -		33nF	4	12.7	10.2	5.2	5600	10,000	0.6	7.41 x 10 <sup>-4</sup>	0.18
10	BN104K0473+- -		47nF	5	12.7	13.6	5.2	5600	8000	0.6	9.16 x 10 <sup>-4</sup>	0.24
10	BN104L0102+- -		1000/450	1nF	E0	12.7	9.2	4.2	6800	14,000	0.6	1.8 x 10 <sup>-5</sup>
10	BN104L0152+- -	1.5nF		E0	12.7	9.2	4.2	6800	14,000	0.6	4.00 x 10 <sup>-5</sup>	0.05
10	BN104L0222+- -	2.2nF		E0	12.7	9.2	4.2	6800	14,000	0.6	7.00 x 10 <sup>-5</sup>	0.08
10	BN104L0332+- -	3.3nF		4	12.7	10.2	5.2	5600	10,000	0.6	1.24 x 10 <sup>-4</sup>	0.14
10	BN104L0472+- -	4.7nF		5	12.7	13.6	5.2	5600	8000	0.6	2.51 x 10 <sup>-4</sup>	0.22
10	BN104L0682+- -	6.8nF		5	12.7	13.6	5.2	5600	8000	0.6	5.26 x 10 <sup>-4</sup>	0.26

Replace the + by the tolerance code: J=5% - K=10% - M=20%  
 Replace the - - by the packaging suffix: - - = standard bulk - EN = taping on reel etc  
<sup>(1)</sup>: MOQ for standard bulk suffix - -



# BN 07/10/15/22/27



Pitch = 15mm

## BN15

Pitch mm	Ordering Code	Vr-/Vr~	Cr	Case	Dimensions (mm)			MOQ		∅ +10% -0.5 mm	I <sup>2</sup> t (A <sup>2</sup> .sec)	I <sub>rms</sub> (A)	
					L max	H max	e max	Reel	Bulk <sup>(1)</sup>				
15	BN154D0684+-	63/40	680nF	6	17.7	10.6	5.2	4000	6000	0.8	1.22 x 10 <sup>-2</sup>	0.83	
15	BN154D0105+-		1µF	6	17.7	10.6	5.2	4000	6000	0.8	2.12 x 10 <sup>-2</sup>	0.96	
15	BN154D0155+-		1.5µF	6	17.7	10.6	5.2	4000	6000	0.8	3.60 x 10 <sup>-2</sup>	1.43	
15	BN154D0225+-		2.2µF	6	17.7	10.6	5.2	4000	6000	0.8	4.38 x 10 <sup>-2</sup>	1.783	
15	BN154D0335+-		3.3µF	10	17.7	12.2	6.2	4000	6000	0.8	9.86 x 10 <sup>-2</sup>	2.674	
15	BN154D0475+-		4.7µF	9	17.7	14.6	8.7	2500	8000	0.8	4.19 x 10 <sup>-1</sup>	3.808	
15	BN154D0685+-		6.8µF	9	17.7	14.6	8.7	2500	8000	0.8	2.00 x 10 <sup>-1</sup>	5.50	
15	BN154D0825+-		8.2µF	9	17.7	14.6	8.7	2500	8000	0.8	6.09 x 10 <sup>-1</sup>	6.200	
15	BN154E0154+-		100/63	150nF	6	17.7	10.6	5.2	4000	6000	0.8	4.35 x 10 <sup>-3</sup>	0.43
15	BN154E0224+-	220nF		6	17.7	10.6	5.2	4000	6000	0.8	5.53 x 10 <sup>-3</sup>	0.64	
15	BN154E0334+-	330nF		6	17.7	10.6	5.2	4000	6000	0.8	1.13 x 10 <sup>-2</sup>	0.72	
15	BN154E0474+-	470nF		6	17.7	10.6	5.2	4000	6000	0.8	1.33 x 10 <sup>-2</sup>	0.96	
15	BN154E0105+-	1µF		6	17.7	10.6	5.2	4000	6000	0.8	1.71 x 10 <sup>-2</sup>	0.96	
15	BN154E0155+-	1.5µF		6	17.7	10.6	5.2	4000	6000	0.8	3.60 x 10 <sup>-2</sup>	1.43	
15	BN154E0225+-	2.2µF		10	17.7	12.2	6.2	4000	6000	0.8	8.20 x 10 <sup>-2</sup>	2.111	
15	BN154E0335+-	3.3µF		9	17.7	14.6	8.7	2500	8000	0.8	1.85 x 10 <sup>-1</sup>	3.168	
15	BN154E0475+-	4.7µF		9	17.7	14.6	8.7	2500	8000	0.8	3.74 x 10 <sup>-1</sup>	4.51	
15	BN154G0104+-	250/115	100nF	6	17.7	10.6	5.2	4000	6000	0.8	2.58 x 10 <sup>-3</sup>	0.38	
15	BN154G0154+-		150nF	6	17.7	10.6	5.2	4000	6000	0.8	4.35 x 10 <sup>-3</sup>	0.43	
15	BN154G0224+-		220nF	6	17.7	10.6	5.2	4000	6000	0.8	5.57 x 10 <sup>-3</sup>	0.64	
15	BN154G0334+-		330nF	6	17.7	10.6	5.2	4000	6000	0.8	7.51 x 10 <sup>-3</sup>	0.72	
15	BN154G0474+-		470nF	6	17.7	10.6	5.2	4000	6000	0.8	1.17 x 10 <sup>-2</sup>	1.024	
15	BN154G0684+-		680nF	10	17.7	12.2	6.2	4000	6000	0.8	2.44 x 10 <sup>-2</sup>	1.483	
15	BN154G0105+-		1µF	9	17.7	14.6	8.7	2500	8000	0.8	5.28 x 10 <sup>-2</sup>	2.178	
15	BN154G0155+-		1.5µF	9	17.7	14.6	8.7	2500	8000	0.8	1.19 x 10 <sup>-1</sup>	3.267	
15	BN154I0473+-		400/200	47nF	6	17.7	10.6	5.2	4000	6000	0.8	1.19 x 10 <sup>-3</sup>	0.191
15	BN154I0683+-	68nF		6	17.7	10.6	5.2	4000	6000	0.8	1.59 x 10 <sup>-3</sup>	0.28	
15	BN154I0104+-	100nF		6	17.7	10.6	5.2	4000	6000	0.8	2.58 x 10 <sup>-3</sup>	0.38	
15	BN154I0154+-	150nF		6	17.7	10.6	5.2	4000	6000	0.8	4.35 x 10 <sup>-3</sup>	0.43	
15	BN154I0224+-	220nF		10	17.7	12.2	6.2	4000	6000	0.8	9.37 x 10 <sup>-3</sup>	0.70	
15	BN154I0334+-	330nF		9	17.7	14.6	8.7	2500	8000	0.8	2.11 x 10 <sup>-2</sup>	1.05	
15	BN154I0474+-	470nF		9	17.7	14.6	8.7	2500	8000	0.8	4.27 x 10 <sup>-2</sup>	1.50	
15	BN154K0333+-	630/220		33nF	6	17.7	10.6	5.2	4000	6000	0.8	4.90 x 10 <sup>-4</sup>	0.14
15	BN154K0473+-			47nF	6	17.7	10.6	5.2	4000	6000	0.8	8.73 x 10 <sup>-4</sup>	0.20
15	BN154K0683+-		68nF	10	17.7	12.2	6.2	4000	6000	0.8	4.11 x 10 <sup>-3</sup>	0.32	
15	BN154K0104+-		100nF	10	17.7	12.2	6.2	4000	6000	0.8	4.50 x 10 <sup>-3</sup>	0.46	
15	BN154K0154+-		150nF	9	17.7	14.6	8.7	2500	8000	0.8	1.00 x 10 <sup>-2</sup>	0.70	
15	BN154L0682+-	1000/450	6.8nF	6	17.7	10.6	5.2	4000	6000	0.8	1.11 x 10 <sup>-4</sup>	0.14	
15	BN154L0103+-		10nF	6	17.7	10.6	5.2	4000	6000	0.8	2.41 x 10 <sup>-4</sup>	0.22	
15	BN154L0223+-		22nF	9	17.7	14.6	8.7	2500	6000	0.8	1.17 x 10 <sup>-3</sup>	0.60	
15	BN154L0333+-		33nF	9	17.7	14.6	8.7	2500	8000	0.8	2.62 x 10 <sup>-3</sup>	0.76	

Replace the + by the tolerance code: J=5% - K=10% - M=20%

Replace the - - by the packaging suffix: - - = standard bulk - EN = taping on reel etc

<sup>(1)</sup>: MOQ for standard bulk suffix - -

# BN 07/10/15/22/27



Pitch = 22.5mm/27.5mm

## BN22

Pitch = 22.5mm

Pitch mm	Ordering Code	Vr-/Vr~	Cr	Case	Dimensions (mm)			MOQ		∅ +10% -0.5 mm	I <sup>2</sup> t (A <sup>2</sup> .sec)	Irms (A)
					L max	H max	e max	Reel	Bulk <sup>(1)</sup>			
22.5	BN224D0685+-	63/40	6.8µF	11	26.7	15.2	7.7		1600	0.8	1.39 x 10 <sup>-1</sup>	2.09
22.5	BN224D0106+-		10µF	12	26.7	17.6	7.7		1600	0.8	3.01 x 10 <sup>-1</sup>	3.07
22.5	BN224D0156+-		15µF	13	26.7	19.6	10.2		1200	0.8	6.77 x 10 <sup>-1</sup>	4.6
22.5	BN224E0225+-	100/63	2.2µF	11	26.7	15.2	7.7		1600	0.8	2.59 x 10 <sup>-2</sup>	1.08
22.5	BN224E0335+-		3.3µF	11	26.7	15.2	7.7		1600	0.8	5.82 x 10 <sup>-2</sup>	1.60
22.5	BN224E0475+-		4.7µF	11	26.7	15.2	7.7		1600	0.8	1.18 x 10 <sup>-1</sup>	2.30
22.5	BN224E0685+-		6.8µF	13	26.7	19.6	10.2		1200	0.8	2.47 x 10 <sup>-1</sup>	3.30
22.5	BN224E0825+-		8.2µF	13	26.7	19.6	10.2		1200	0.8	3.59 x 10 <sup>-1</sup>	4.00
22.5	BN224G0105+-	250/115	1µF	11	26.7	15.2	7.7		1600	0.8	1.64 x 10 <sup>-2</sup>	1.14
22.5	BN224G0155+-		1.5µF	11	26.7	15.2	7.7		1600	0.8	3.68 x 10 <sup>-2</sup>	1.71
22.5	BN224G0225+-		2.2µF	12	26.7	17.6	7.7		1600	0.8	7.92 x 10 <sup>-1</sup>	2.50
22.5	BN224G0335+-		3.3µF	13	26.7	19.6	10.2		1200	0.8	1.78 x 10 <sup>-1</sup>	3.74
22.5	BN224I0334+-	400/200	330nF	11	26.7	15.2	7.7		1600	0.8	3.64 x 10 <sup>-3</sup>	0.383
22.5	BN224I0474+-		470nF	11	26.7	15.2	7.7		1600	0.8	7.38 x 10 <sup>-3</sup>	0.54
22.5	BN224I0684+-		680nF	11	26.7	15.2	7.7		1600	0.8	1.54 x 10 <sup>-2</sup>	0.80
22.5	BN224I0105+-		1µF	12	26.7	17.6	7.7		1600	0.8	3.34 x 10 <sup>-2</sup>	1.16
22.5	BN224I0155+-		1.5µF	13	26.7	19.6	10.2		1200	0.8	7.52 x 10 <sup>-2</sup>	1.75
22.5	BN224K0154+-	630/220	150nF	11	26.7	15.2	7.7		1600	0.8	2.17 x 10 <sup>-3</sup>	0.38
22.5	BN224K0224+-		220nF	11	26.7	15.2	7.7		1600	0.8	4.66 x 10 <sup>-3</sup>	0.54
22.5	BN224K0334+-		330nF	12	26.7	17.6	7.7		1600	0.8	1.05 x 10 <sup>-2</sup>	0.74
22.5	BN224K0474+-		470nF	13	26.7	19.6	10.2		1200	0.8	2.13 x 10 <sup>-2</sup>	1.18
22.5	BN224K0564+-		560nF	13	26.7	19.6	10.2		1200	0.8	3.02 x 10 <sup>-2</sup>	1.40
22.5	BN224L0333+-		33nF	11	26.7	15.2	7.7		1600	0.8	2.64 x 10 <sup>-3</sup>	0.28
22.5	BN224L0473+-	47nF	11	26.7	15.2	7.7		1600	0.8	5.35 x 10 <sup>-3</sup>	0.40	
22.5	BN224L0683+-	68nF	12	26.7	17.6	7.7		1600	0.8	1.12 x 10 <sup>-2</sup>	0.60	
22.5	BN224L0104+-	100nF	13	26.7	19.6	10.2		1200	0.8	2.42 x 10 <sup>-2</sup>	0.86	
22.5	BN224L0124+-	120nF	13	26.7	19.6	10.2		1200	0.8	3.49 x 10 <sup>-2</sup>	1.00	

Replace the + by the tolerance code : J=5% - K=10% - M=20%

Replace the - by the packaging suffix : - = standard bulk - EN = taping on reel etc

<sup>(1)</sup>: MOQ for standard bulk suffix - -

## BN27

Pitch = 27.5mm

Pitch mm	Ordering Code	Vr-/Vr~	Cr	Case	Dimensions (mm)			MOQ		∅ +10% -0.5 mm	I <sup>2</sup> t (A <sup>2</sup> .sec)	Irms (A)	
					L max	H max	e max	Reel	Bulk <sup>(1)</sup>				
27.5	BN274D0156+-	63/40	15µF	16	31.7	19.6	10.2		960	0.8	4.07 x 10 <sup>-1</sup>	3.57	
27.5	BN274D0206+-		20µF	16	31.7	19.6	10.2		960	0.8	7.24 x 10 <sup>-1</sup>	4.80	
27.5	BN274E0825+-	100/63	8.2µF	16	31.7	19.6	10.2		960	0.8	2.16 x 10 <sup>-1</sup>	3.12	
27.5	BN274E0106+-		10µF	16	31.7	19.6	10.2		960	0.8	3.22 x 10 <sup>-1</sup>	3.80	
27.5	BN274E0126+-		12µF	16	31.7	19.6	10.2		960	0.8	4.63 x 10 <sup>-1</sup>	4.56	
27.5	BN274G0335+-	250/115	3.3µF	16	31.7	19.6	10.2		960	0.8	1.07 x 10 <sup>-1</sup>	2.9	
27.5	BN274G0395+-		3.9µF	16	31.7	19.6	10.2		960	0.8	1.50 x 10 <sup>-1</sup>	3.42	
27.5	BN274G0475+-		4.7µF	P0	31.7	22.6	13.7		1600	0.8	2.18 x 10 <sup>-1</sup>	4.17	
27.5	BN274G0685+-		6.8µF	P0	31.7	22.6	13.7		1600	0.8	4.56 x 10 <sup>-1</sup>	6.00	
27.5	BN274G0106+-		10µF	18	31.7	26.2	15.2		1280	0.8	9.85 x 10 <sup>-1</sup>	6.20	
27.5	BN274G0156+-		15µF	26	31.7	31.6	21.2		448	0.8	2.77	6.20	
27.5	BN274G0226+-		22µF *	R68	32	37	22		384	0.8	5.96	6.20	
27.5	BN274I0155+-		400/200	1.5µF	16	31.7	19.6	10.2		960	0.8	4.52 x 10 <sup>-2</sup>	1.43
27.5	BN274I0225+-			2.2µF	P0	31.7	22.6	13.7		1600	0.8	9.73 x 10 <sup>-2</sup>	1.98
27.5	BN274I0335+-			3.3µF	P0	31.7	22.6	13.7		1600	0.8	2.19 x 10 <sup>-1</sup>	2.98
27.5	BN274I0475+-	4.7µF		18	31.7	26.2	15.2		1280	0.8	4.44 x 10 <sup>-1</sup>	4.23	
27.5	BN274I0685+-	6.8µF		19	31.7	30.2	17.7		1040	0.8	9.30 x 10 <sup>-1</sup>	6.10	
27.5	BN274I0106+-	10µF *		R68	32	37	22		384	0.8	2.01	6.20	
27.5	BN274K0564+-	560nF		16	31.7	19.6	10.2		960	0.8	1.77 x 10 <sup>-2</sup>	1.61	
27.5	BN274K0684+-	680nF	16	31.7	19.6	10.2		960	0.8	2.61 x 10 <sup>-2</sup>	1.70		
27.5	BN274K0105+-	1µF	P0	31.7	22.6	13.7		1600	0.8	5.69 x 10 <sup>-2</sup>	1.90		
27.5	BN274K0225+-	2.2µF	19	31.7	30.2	17.7		1040	0.8	2.73 x 10 <sup>-1</sup>	4.20		
27.5	BN274K0335+-	3.3µF *	R68	32	37	22		384	0.8	6.14 x 10 <sup>-1</sup>	6.20		
27.5	BN274K0435+-	4.3µF *	R68	32	37	22		384	0.8	1.04	6.20		
27.5	BN274L0124+-	1000/450	120nF	16	31.7	19.6	10.2		960	0.8	1.82 x 10 <sup>-2</sup>	0.76	
27.5	BN274L0224+-		220nF	P0	31.7	22.6	13.7		1600	0.8	6.12 x 10 <sup>-2</sup>	1.38	
27.5	BN274L0334+-		330nF	18	31.7	26.2	15.2		1280	0.8	1.38 x 10 <sup>-1</sup>	2.08	
27.5	BN274L0474+-		470nF	19	31.7	30.2	17.7		1040	0.8	2.79 x 10 <sup>-1</sup>	2.96	
27.5	BN274L0684+-		680nF	26	31.7	31.6	21.2		448	0.8	5.85 x 10 <sup>-1</sup>	4.28	
27.5	BN274L0914+-		910nF *	R68	32	37	22		384	0.8	1.05	5.72	

\*only available standard bulk: no special lead length

Replace the + by the tolerance code: J=5% - K=10% - M=20%

Replace the - by the packaging suffix: - = standard bulk - EN = taping on reel etc

For values bigger -> see FFB range

<sup>(1)</sup>: MOQ for standard bulk suffix - -

