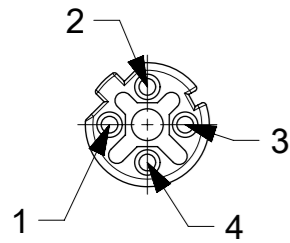


# 4 POLE D-CODE

M12 FEMALE



PIN	WIRE COLOR
1	OR
2	GN
3	OR/WH
4	GN/WH
5	-

CODING ACCORDING TO IEC-61076-2-101

## PART No MATRIX



Y0= ULTRA LOCK 2.0 SINGLE ENDED

POLES:  
4 = 4 POLES

HEADER:  
001= FEMALE RA

CABLE:  
04 - ETHERNET CAT-5E 2x2x24AWG TPE TEAL

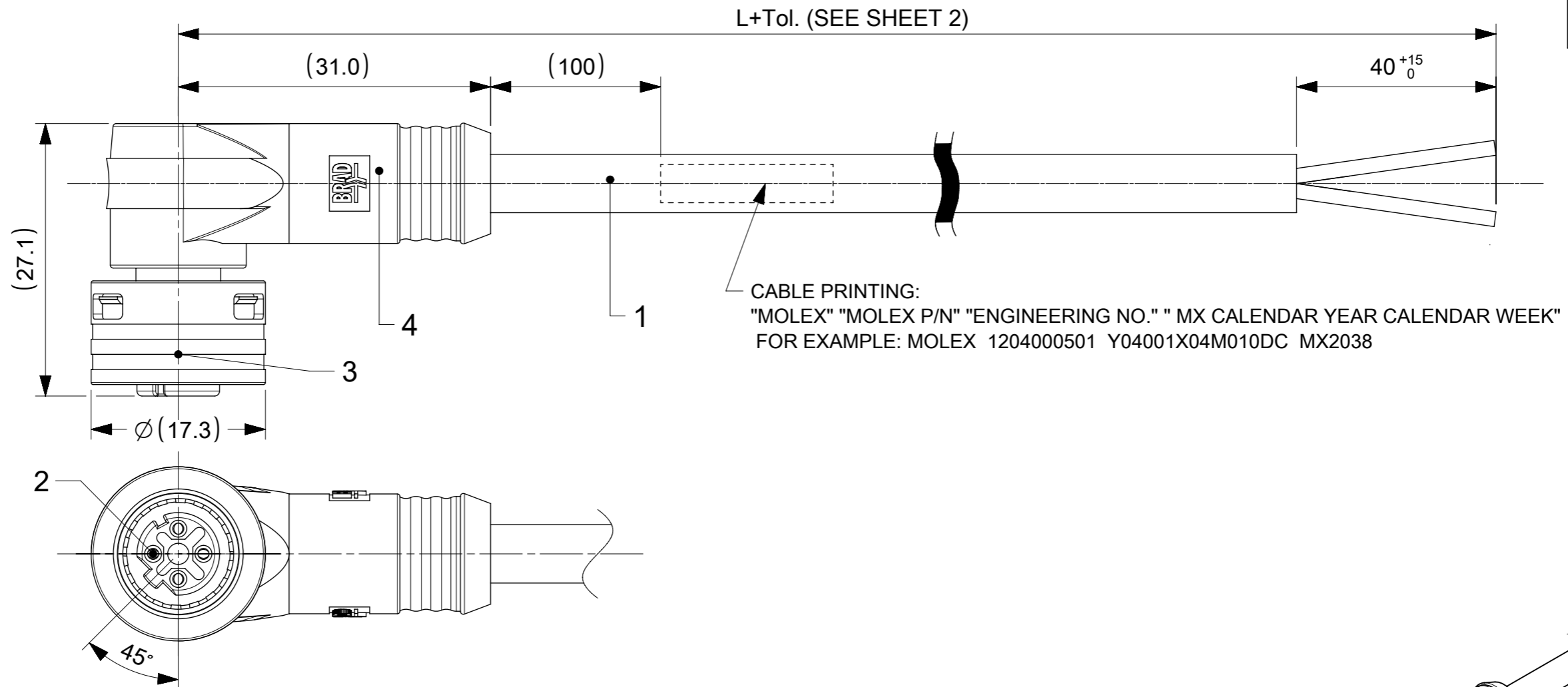
UNIT:  
M = METER  
F = FEET  
C = CENTIMETER  
T = 10M

LENGTH:  
EXAMPLE:  
010 = 1 m  
050 = 5 m  
100 = 10 m

### OPTIONS

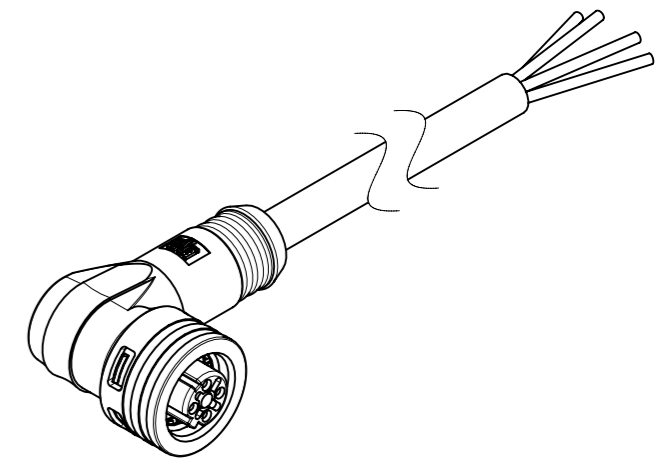
OVERMOLD:  
BLANK = STANDARD BRAD:  
-YELLOW IN THE USA  
-BLACK IN EUROPE

A = GREY  
E = RED  
G = BLACK  
Y = YELLOW  
H = STD. COLOUR WITH TWO ID-TAG CARRIERS  
DC = D-Code



### NOTES:

- PARTS ACC. TO PRODUCT SPECIFICATION 1204000001 PS P10 AND IN STYLE OF IEC-61076-2-010
- BOM & PART LIST - SEE SHEET 2
- ELECTRICAL DATA: ACCORDING TO CAT5e ETHERNET STANDARD  
RATED VOLTAGE: 60V DC  
RATED CURRENT: 1.5A, DERATING HAS TO BE CONSIDERED  
OVERVOLTAGE CATEGORY: 3  
POLLUTION DEGREE: 3, ONLY IN MATED AND LOCKED CONDITION
- PROTECTION CLASS: IP 67, ONLY IN MATED AND LOCKED CONDITION
- TEMPERATURE RANGE FIXED INSTALLATION: -20°C / +75°C
- MECHANICAL OPERATIONS: 100 CYCLES
- MATES WITH ULTRA-LOCK M12 MALE RECEPTACLES
- PACKAGING: THE CORDSETS ARE PACKED IN PLASTIC BAGS AND DELIVERED IN CARTON BOXES
- UL FILE: CERTIFICATION IN PROCESS



FUNCTIONAL SYMBOLS	THIS DRAWING CONTAINS INFORMATION THAT IS PROPRIETARY TO MOLEX ELECTRONIC TECHNOLOGIES, LLC AND SHOULD NOT BE USED WITHOUT WRITTEN PERMISSION	CURRENT REV DESC:																															
	<table border="1"> <tr> <th>FUNCTIONAL SYMBOLS</th> <th>DIMENSION UNITS</th> <th>SCALE</th> </tr> <tr> <td>∇/A = 0</td> <td>mm</td> <td>1:1</td> </tr> <tr> <td>∇/E = 0</td> <td colspan="2">GENERAL TOLERANCES (UNLESS SPECIFIED)</td> </tr> <tr> <td>∇/V = 0</td> <td colspan="2">ANGULAR TOL ± 1.0°</td> </tr> <tr> <td></td> <td>4 PLACES</td> <td>± 0.0</td> </tr> <tr> <td></td> <td>3 PLACES</td> <td>± 0.0</td> </tr> <tr> <td></td> <td>2 PLACES</td> <td>± 0.05</td> </tr> <tr> <td></td> <td>1 PLACE</td> <td>± 0.3</td> </tr> <tr> <td></td> <td>0 PLACES</td> <td>± 0.5</td> </tr> </table>	FUNCTIONAL SYMBOLS	DIMENSION UNITS					SCALE	∇/A = 0	mm	1:1	∇/E = 0	GENERAL TOLERANCES (UNLESS SPECIFIED)		∇/V = 0	ANGULAR TOL ± 1.0°			4 PLACES	± 0.0		3 PLACES	± 0.0		2 PLACES	± 0.05		1 PLACE	± 0.3		0 PLACES	± 0.5	EC NO: 648997 DRWN: JELIZAINCIN 2020/11/11 CHK'D: JELIZAINCIN 2020/11/11 APPR: RSILLER 2020/11/11
FUNCTIONAL SYMBOLS	DIMENSION UNITS	SCALE																															
∇/A = 0	mm	1:1																															
∇/E = 0	GENERAL TOLERANCES (UNLESS SPECIFIED)																																
∇/V = 0	ANGULAR TOL ± 1.0°																																
	4 PLACES	± 0.0																															
	3 PLACES	± 0.0																															
	2 PLACES	± 0.05																															
	1 PLACE	± 0.3																															
	0 PLACES	± 0.5																															
DIVISIONAL SYMBOLS	DRAFT WHERE APPLICABLE MUST REMAIN WITHIN DIMENSIONS		THIRD ANGLE PROJECTION	DRAWING A3-SIZE	SERIES 120400	MATERIAL NUMBER SEE SHEET 2	CUSTOMER GENERAL MARKET	SHEET NUMBER 1 OF 2																									

