



0 to 69dB Rotary Step Attenuator, SMA Female to SMA Female With 1 dB Step Rated to 2 Watts Up to 8GHz

RF Step Attenuators Technical Data Sheet

PE7443-69

Features

- 1 dB steps from 0 to 69 dB Attenuation
- Rotary Dial Control
- SMA Female Connectors
- 0°C to +54°C Operating Temperature
- ±1.5 dB Typical Attenuation Accuracy

Applications

- Instrumentation
- Precision Measurements
- Prototyping and Characterization
- Production Systems

Description

The PE7443-69 is a Step Attenuator that has 69 dB of total attenuation with 1 dB step size and rotary dial design across a frequency range from DC to 8 GHz. The design is tried and true technology that offers exceptional performance characteristics that include 1 dB maximum insertion loss, and a maximum VSWR of 1.5:1 at 8 GHz. The design also features excellent attenuation accuracy with ±1.5 dB typical at 8 GHz. The Aluminum package has SMA Female connectors, and operates within the temperature range of 0°C to 54°C.

Electrical Specifications

Description	Minimum	Typical	Maximum	Units
Frequency Range	DC		8	GHz
Impedance		50		Ohms
Insertion Loss			1	dB
Attenuation Value		0 to 69		dB
Step Size		1		dB
Step Type		Rotary		
Input Power (CW)			2	Watts
Input Power, Peak 5µs Pulse Width, 1% DutyCycle			200	Watts
VSWR			1.5:1	

Specifications by Frequency

Description	F1	F2	F3	F4	F5	Units
Range	DC to 8					GHz
Attenuation Accuracy	1.5					dB

Click the following link (or enter part number in "SEARCH" on website) to obtain additional part information including price, inventory and certifications: [0 to 69dB Rotary Step Attenuator, SMA Female to SMA Female With 1 dB Step Rated to 2 Watts Up to 8GHz PE7443-69](#)



0 to 69dB Rotary Step Attenuator, SMA Female to SMA Female With 1 dB Step Rated to 2 Watts Up to 8GHz

RF Step Attenuators Technical Data Sheet

PE7443-69

Mechanical Specifications

Size

Length	6.417 in [162.99 mm]
Width	1.772 in [45.01 mm]
Height	1.89 in [48.01 mm]
Weight	0.05 lbs [22.68 g]

Connectors

Description	Connector 1	Connector 2
Type	SMA Female	SMA Female
Contact Material and Plating	Beryllium Copper, Gold	
Body Material and Plating	Stainless Steel	Aluminum

Environmental Specifications

Temperature

Operating Range	0 to 54 deg C
-----------------	---------------

Compliance Certifications (see [product page](#) for current document)

Plotted and Other Data

Notes:

0 to 69dB Rotary Step Attenuator, SMA Female to SMA Female With 1 dB Step Rated to 2 Watts Up to 8GHz from Pasternack Enterprises has same day shipment for domestic and International orders. Our RF, microwave and millimeter wave products maintain a 99.4% availability and are part of the broadest selection in the industry.

Click the following link (or enter part number in "SEARCH" on website) to obtain additional part information including price, inventory and certifications: [0 to 69dB Rotary Step Attenuator, SMA Female to SMA Female With 1 dB Step Rated to 2 Watts Up to 8GHz PE7443-69](#)

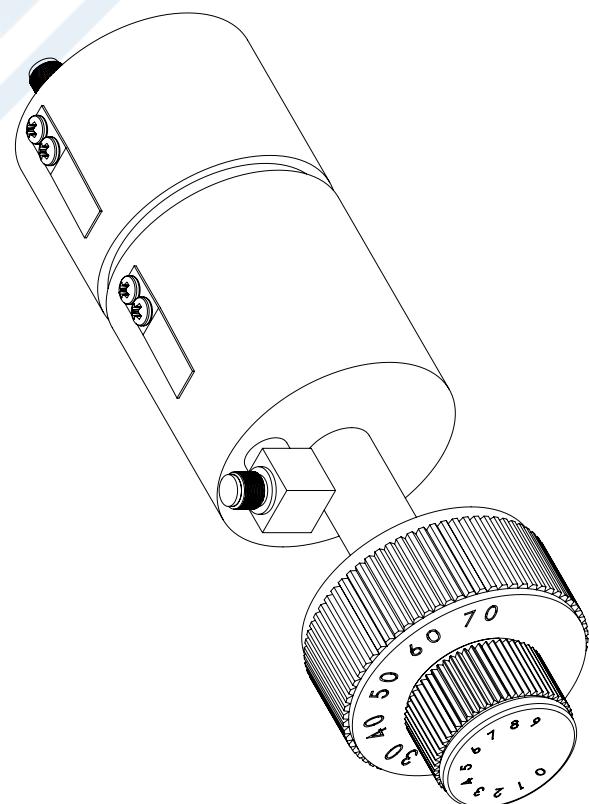
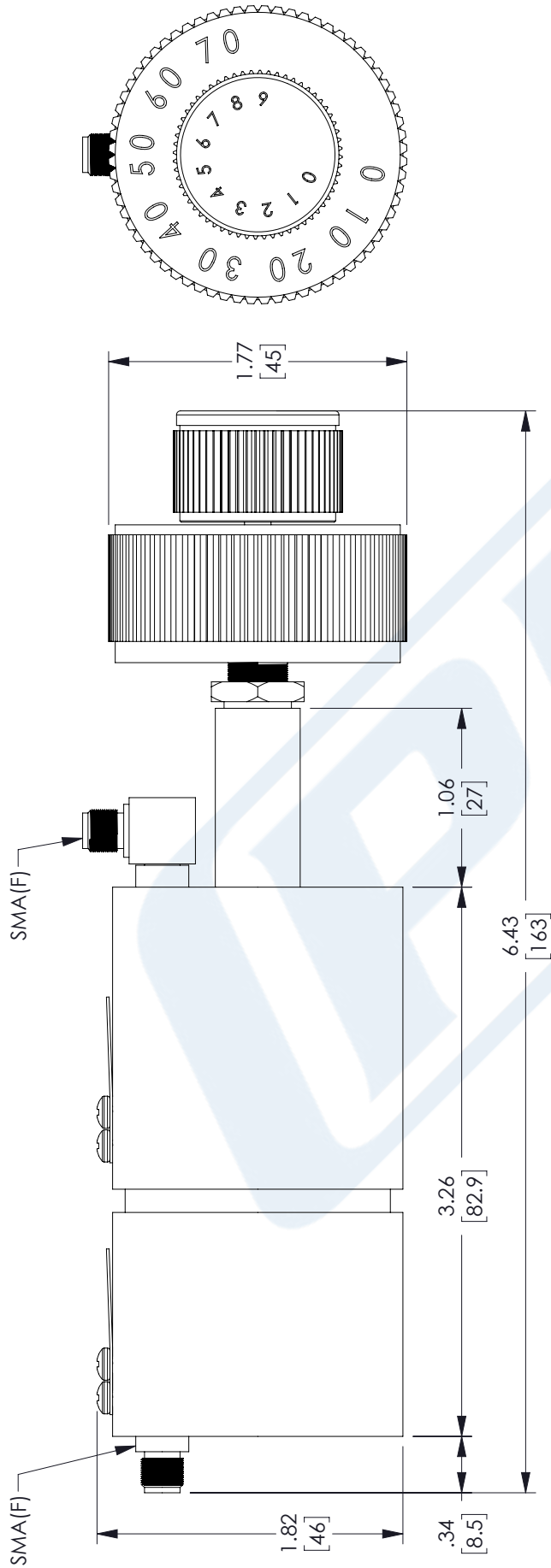
URL: <https://www.pasternack.com/69db-step-sma-female-sma-female-2-watts-attenuator-pe7443-69-p.aspx>

The information contained in this document is accurate to the best of our knowledge and representative of the part described herein. It may be necessary to make modifications to the part and/or the documentation of the part, in order to implement improvements. Pasternack reserves the right to make such changes as required. Unless otherwise stated, all specifications are nominal. Pasternack does not make any representation or warranty regarding the suitability of the part described herein for any particular purpose, and Pasternack does not assume any liability arising out of the use of any part or documentation.

PE7443-69 CAD Drawing

0 to 69dB Rotary Step Attenuator, SMA Female to SMA Female
With 1 dB Step Rated to 2 Watts Up to 8GHz

REV.	DESCRIPTION	DATE	APPROVED
A	INITIAL RELEASE	05/10/2022	SPONG



PE PASTERNAK
an INFINITE brand

Pasternack Enterprises, Inc.
P. O. Box 16759, Irvine, CA 92623.
Phone: 1.949.261.1920 | 1.866.727.8376
Fax: 1.949.261.7451
Website: www.pasternack.com
E-mail: sales@pasternack.com

UNLESS OTHERWISE SPECIFIED
LEADING DIMENSIONS ARE INCHES
DIMENSIONS IN [] ARE MILLIMETERS

TOLERANCES:
 .X = ±.2 [5.08] FRACTIONS ± 1/32
 .XX = ±.02 [.51] ± 1/32
 .XXX = ±.005 [.13] ANGLES ± 1°

CABLE LENGTH (L) TOLERANCES:
 L ≤ 12 [305] = ±1 [25] / -0
 12 [305] < L ≤ 60 [1524] = +2 [51] / -0
 60 [1524] < L ≤ 120 [3048] = +4 [102] / -0
 120 [3048] < L ≤ 300 [7620] = +6 [152] / -0
 300 [7620] < L = +5%L / -0

ALL DIMENSIONS SHOWN
ARE FOR REFERENCE ONLY.

THIRD-ANGLE PROJECTION

THE INFORMATION AND
DESIGN IN THIS DOCUMENT
IS THE PROPERTY OF
PASTERNAK CORPORATION
ALL RIGHTS RESERVED.

SHEET 1 OF 1
SCALE N/A

SIZE A CAGE CODE A DRAWN BY PSRINIVAS ITEM NO. PE7443-69 REV A