



**ANATECH ELECTRONICS INC**  
RF & Microwave Filters & Products

# 9000 MHz Suspended Stripline High Pass Filter

**Part Number: AE9000SSH6579**



## Electrical Specifications

**Cut Off Frequency:** 9.0GHz  
**Pass Band Frequency:** 9.0~28GHz  
**Pass Band Insertion Loss:**  
 $\leq 1.5\text{dB @ } 9.0\sim 9.4\text{GHz}$   
 $\leq 1.0\text{dB @ } 9.4\sim 28\text{GHz}$   
**Pass Band VSWR:**  
 $\leq 1.5:1 @ 9.0\sim 20\text{GHz}$   
 $\leq 1.8:1 @ 20\sim 28\text{GHz}$   
**Stop Band Attenuation:**  $\geq 50\text{dB @ DC}\sim 7.45\text{GHz}$   
**Impedance:** 50 Ohms  
**Power Handling:**  $\leq 15\text{W}$

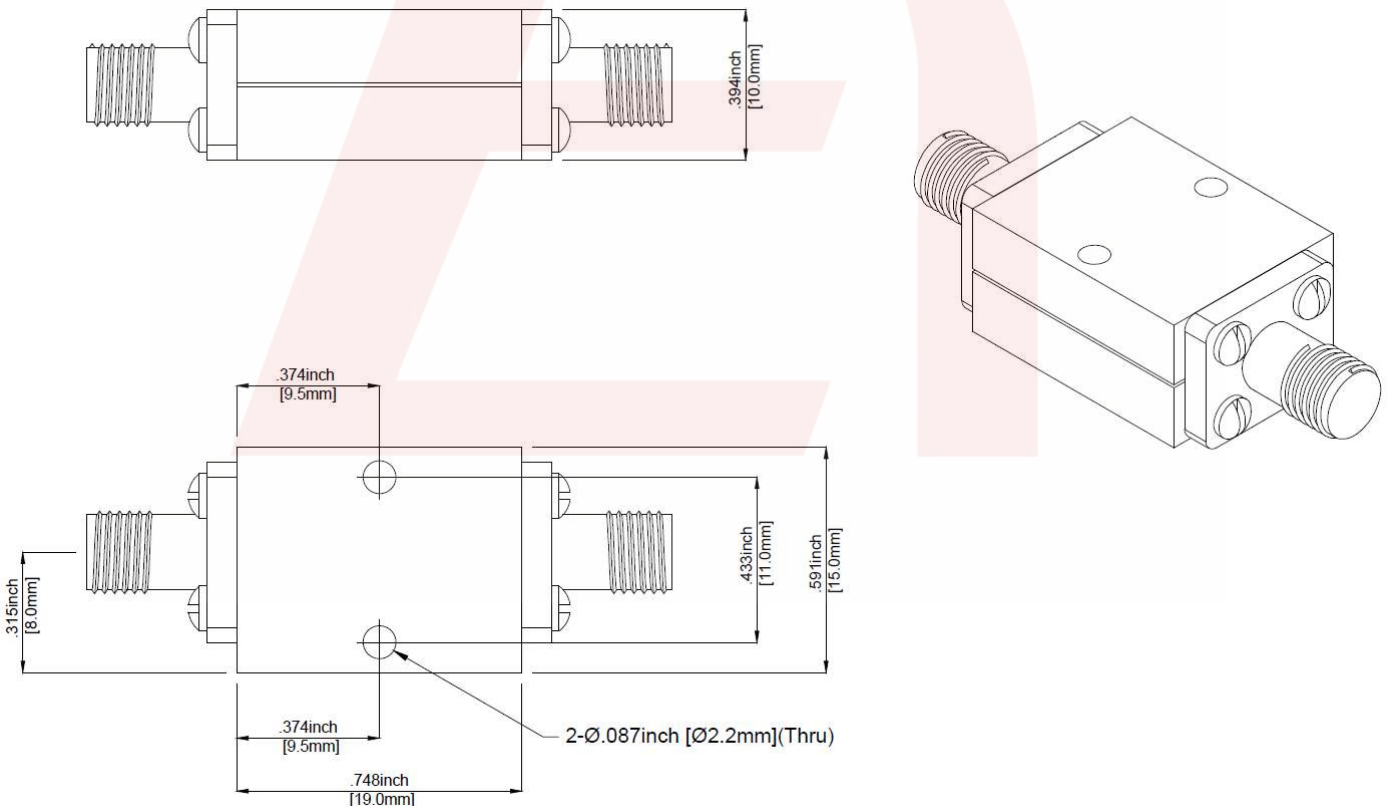
## Mechanical

**Mounting Method:** Through Holes  
**Connector Type:** SMA-Female  
**Dimensions:** 19 x 15 x 10 mm

## Environmental

**Operating Temperature:**  $-45^\circ$  to  $+85^\circ$  C  
**Storage Temperature:**  $-55^\circ$  to  $+95^\circ$  C  
**Shock:** 20 G. 11ms  
**Vibration:** 20 G. 5 to 200 Hz

## Outline Drawing:



DS-SSH6579-01252019-Rev0

70 Outwater Lane Phone: (973) 772-4242  
 Garfield, NJ 07026 Fax : (973) 772-4646

Email: [sales@anatechelectronics.com](mailto:sales@anatechelectronics.com)  
 Web: [www.anatechelectronics.com](http://www.anatechelectronics.com)