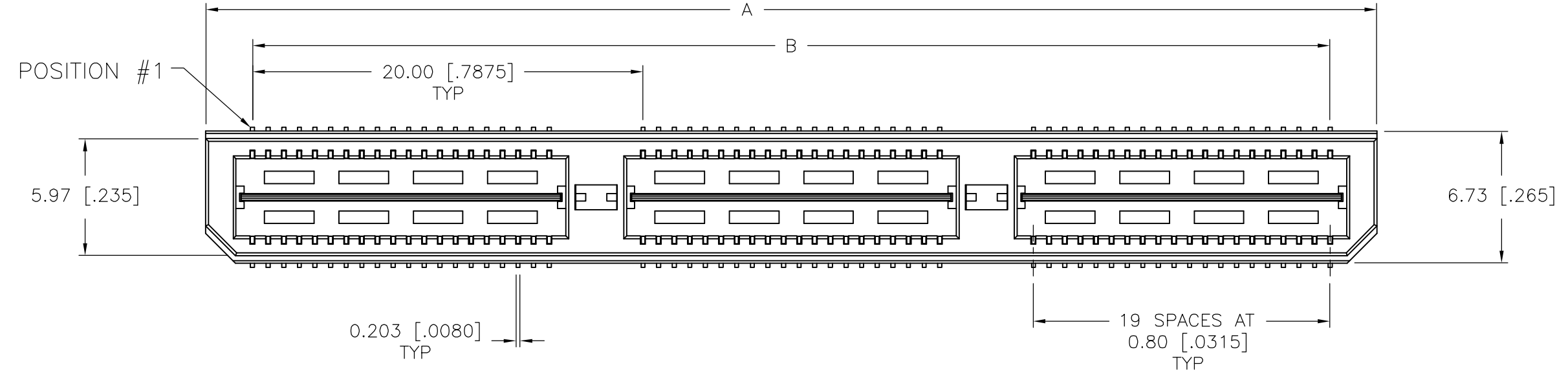
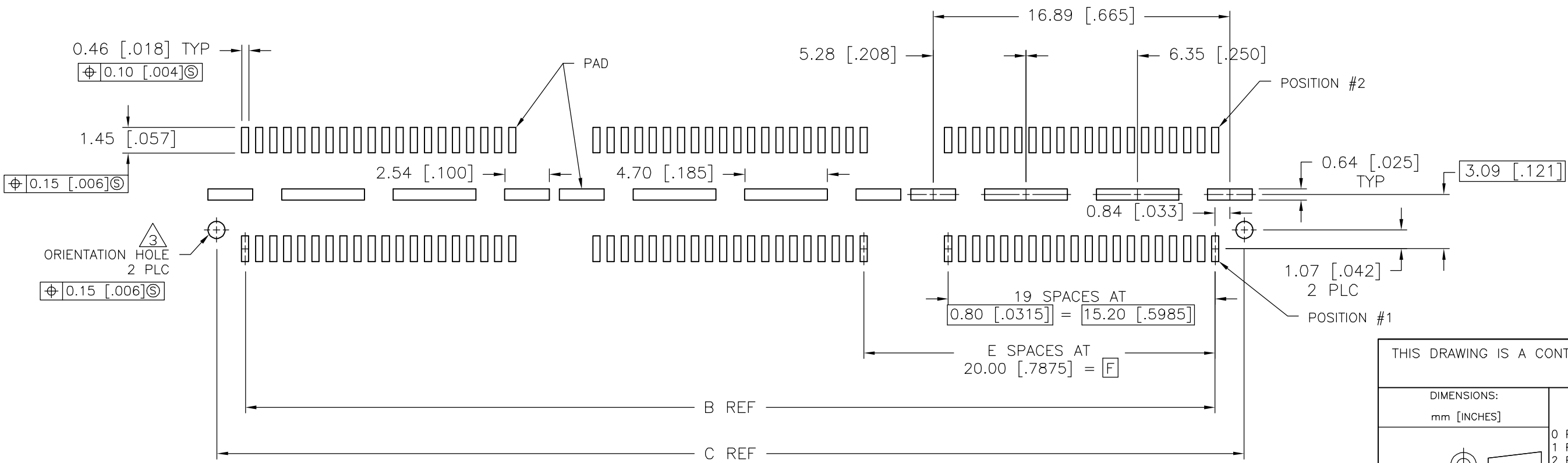
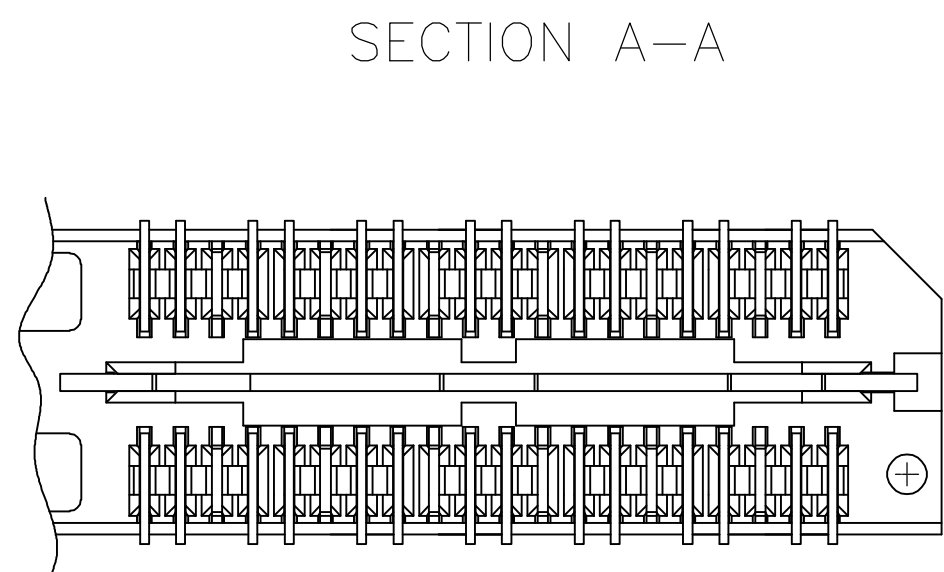
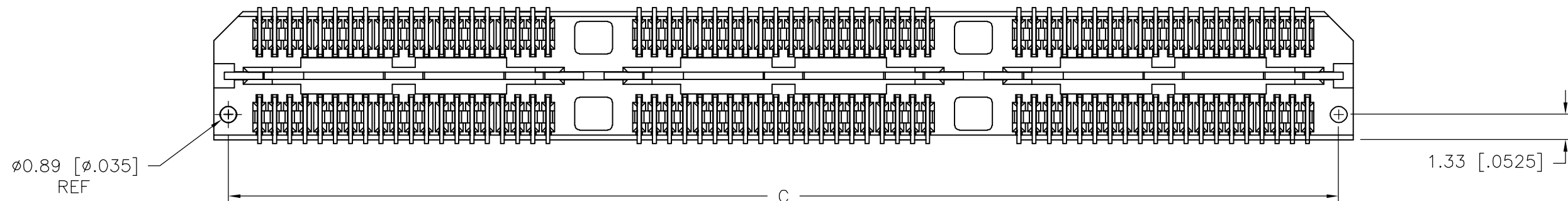
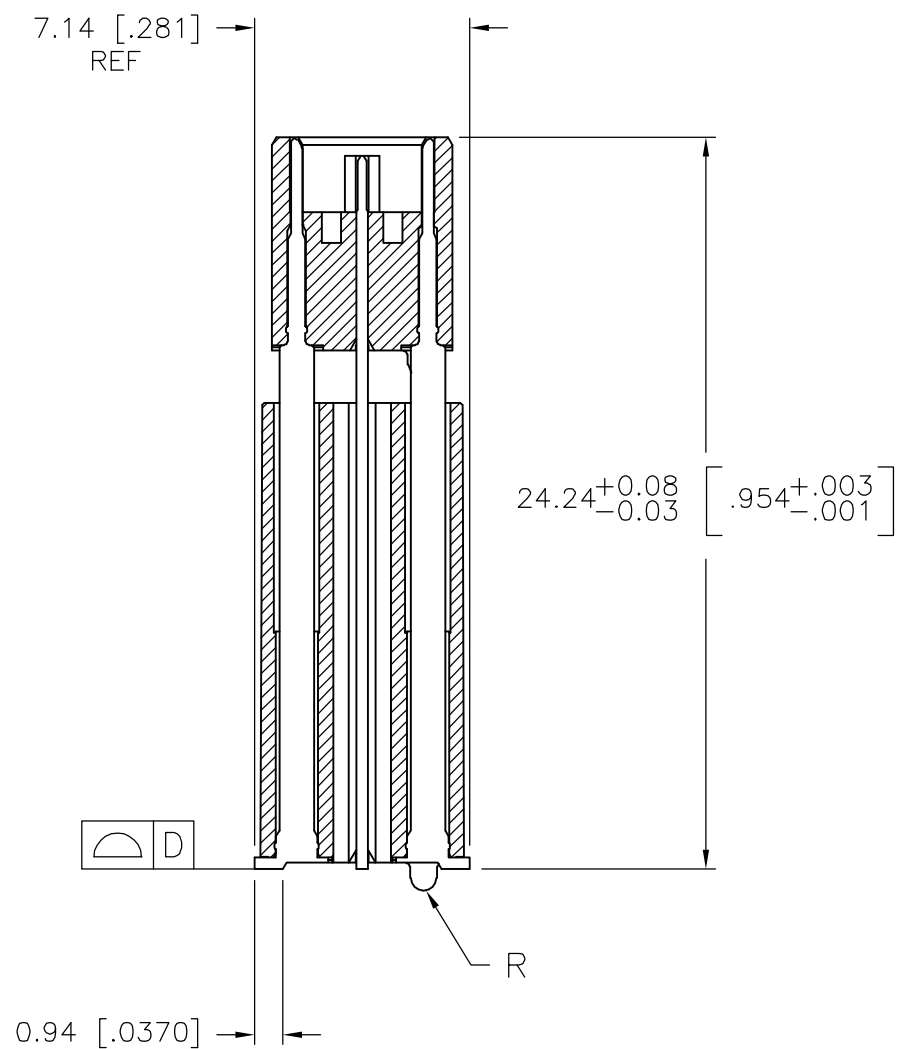
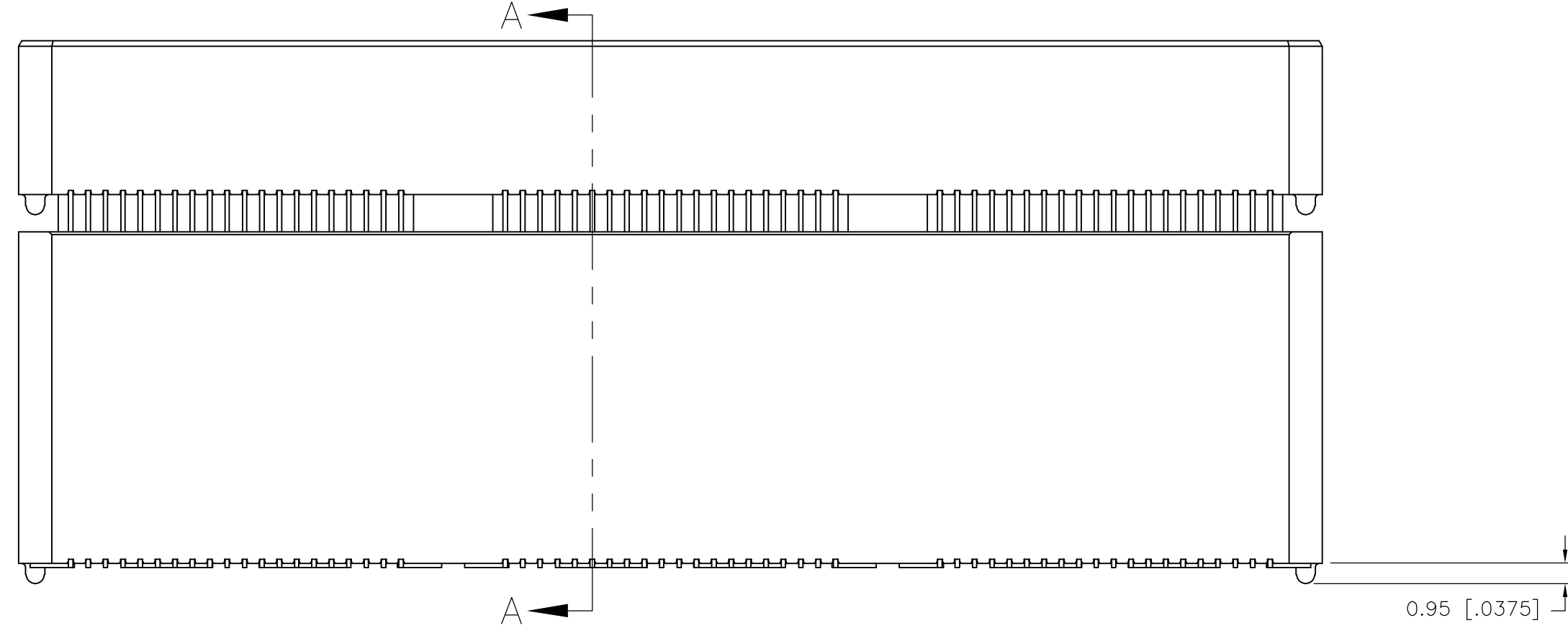


THIS DRAWING IS UNPUBLISHED. RELEASED FOR PUBLICATION
 © COPYRIGHT BY TYCO ELECTRONICS CORPORATION. ALL RIGHTS RESERVED.

| LOC | | DIST | | REVISIONS | | | |
|-----|-----|---------|-----|-----------|-----------------------------|--|--|
| P | LTR | DATE | DWN | APVD | | | |
| G | | 19SEP05 | JDP | DD | REVISED PER EC 0512-0273-05 | | |



- ① HOUSING: LCP, BLACK.
CONTACT & GROUND PLANE: PHOS BRONZE.
- ② CONTACT PLATING: SELECT 0.76 MICROMETERS (.000030 IN) MIN GOLD.
- ③ FOR STANDARD APPLICATIONS, ORIENTATION HOLE TO BE $\phi 1.02 [\phi .0400]$.




RECOMMENDED PC BOARD LAYOUT
 (VIEWED FROM CONNECTOR SIDE)

| | | | | | | | | |
|------------------------------------------------------------------------------------------------------------------|--|------------------|---------|---------------------------------------------------------------|-----------------------------------------------------------------------------|-----------|--------|------------|
| THIS DRAWING IS A CONTROLLED DOCUMENT. | | DWN B.CARBO | 28MAY03 | Tyco Electronics Corporation Harrisburg, PA 17105-3608 | RESTRICTED TO | | | |
| DIMENSIONS: mm [INCHES] | | CHK D.DIXON | 28MAY03 | | NAME HEADER ASSEMBLY, 25.0MM [.984] VERTICAL, 0.80MM CL, MICTOR SB | SIZE | — | |
| TOLERANCES UNLESS OTHERWISE SPECIFIED: | | APVD D.DIXON | 28MAY03 | | | CAGE CODE | 00779 | DRAWING NO |
| 0 PLC ± - 1 PLC ± 0.3[.01] 2 PLC ± 0.13[.005] 3 PLC ± 0.05[.0020] 4 PLC ± - ANGLES ± 2° FINISH | | PRODUCT SPEC | — | | WEIGHT | — | SCALE | 3:1 |
| MATERIAL | | APPLICATION SPEC | — | CUSTOMER DRAWING | SHEET | | 1 of 2 | |

THIS DRAWING IS UNPUBLISHED. RELEASED FOR PUBLICATION
 © COPYRIGHT BY TYCO ELECTRONICS CORPORATION. ALL RIGHTS RESERVED.

| LOC | DIST | REVISIONS | | | |
|-----|------|-------------|------|-----|------|
| P | LTR | DESCRIPTION | DATE | DWN | APVD |
| | | SEE SHEET 1 | | | |

| | | | | | | | | | |
|--------------|---|--------------|--------------|--------------|---------------|----------------|------------|-----------|-------------|
| 80.00(3.150) | 4 | 0.152(.0060) | 98.50(3.748) | 95.20(3.748) | 100.00(3.937) | TRAY | YES | 140 | 1-1658469-5 |
| 60.00(2.362) | 3 | 0.152(.0060) | 78.49(3.090) | 75.20(2.961) | 80.00(3.150) | TRAY | YES | 112 | 1-1658469-4 |
| 40.00(1.575) | 2 | 0.102(.0040) | 58.50(2.303) | 55.20(2.173) | 60.00(2.362) | TRAY | YES | 84 | 1-1658469-3 |
| 20.00(.7874) | 1 | 0.102(.0040) | 38.48(1.515) | 35.20(1.386) | 40.00(1.575) | TRAY | YES | 56 | 1-1658469-2 |
| 0(.000) | 0 | 0.102(.0040) | 18.49(.728) | 15.20(.598) | 20.00(.787) | TRAY | YES | 28 | 1-1658469-1 |
| 80.00(3.150) | 4 | 0.152(.0060) | 98.50(3.748) | 95.20(3.748) | 100.00(3.937) | TRAY | NO | 200 | 1658469-5 |
| 60.00(2.362) | 3 | 0.152(.0060) | 78.49(3.090) | 75.20(2.961) | 80.00(3.150) | TRAY | NO | 160 | 1658469-4 |
| 40.00(1.575) | 2 | 0.102(.0040) | 58.50(2.303) | 55.20(2.173) | 60.00(2.362) | TRAY | NO | 120 | 1658469-3 |
| 20.00(.7874) | 1 | 0.102(.0040) | 38.48(1.515) | 35.20(1.386) | 40.00(1.575) | TRAY | NO | 80 | 1658469-2 |
| 0(.000) | 0 | 0.102(.0040) | 18.49(.728) | 15.20(.598) | 20.00(.787) | TRAY | NO | 40 | 1658469-1 |
| F | E | D | C | B | A | PACKAGING TYPE | DIFF. PAIR | NO OF POS | PART NUMBER |

| | | | | | | |
|---------------------------------------------------------------------------------------------------------|--|-----------------------------|-------------------------------------------------------------------------------------------------------------------------------------------------|--------------------|-------------------------|--------------------|
| THIS DRAWING IS A CONTROLLED DOCUMENT. | | DWN B. CARRO 28MAY03 |  Tyco Electronics Corporation Harrisburg, PA 17105-3608 | | | |
| DIMENSIONS: mm [INCHES] | | CHK D. DIXON 28MAY03 | | | | |
| TOLERANCES UNLESS OTHERWISE SPECIFIED: | | APVD D. DIXON 28MAY03 | NAME HEADER ASSEMBLY, 25.0MM [.984] VERTICAL, 0.80MM CL, MICTOR SB | | | |
| 0 PLC ± - 1 PLC ± 0.3[.01] 2 PLC ± 0.13[.005] 3 PLC ± 0.051[.0020] 4 PLC ± - ANGLES ± 2° | | PRODUCT SPEC - | | | | |
| MATERIAL SEE SHEET 1 | | APPLICATION SPEC - | SIZE A2 | CAGE CODE 00779 | DRAWING NO C=1658469 | RESTRICTED TO - |
| FINISH SEE SHEET 1 | | WEIGHT - | SCALE 3:1 | SHEET 2 of 2 | REV G | CUSTOMER DRAWING |

1658469

A