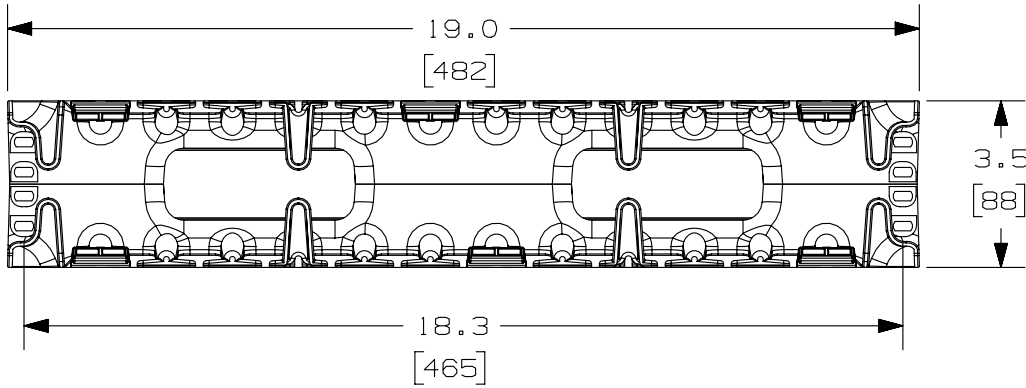


THIS COPY IS PROVIDED ON A RESTRICTED BASIS AND IS NOT TO BE USED IN ANY WAY DETRIMENTAL TO THE INTERESTS OF PANDUIT CORP.

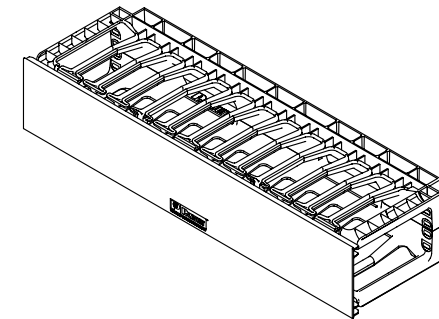
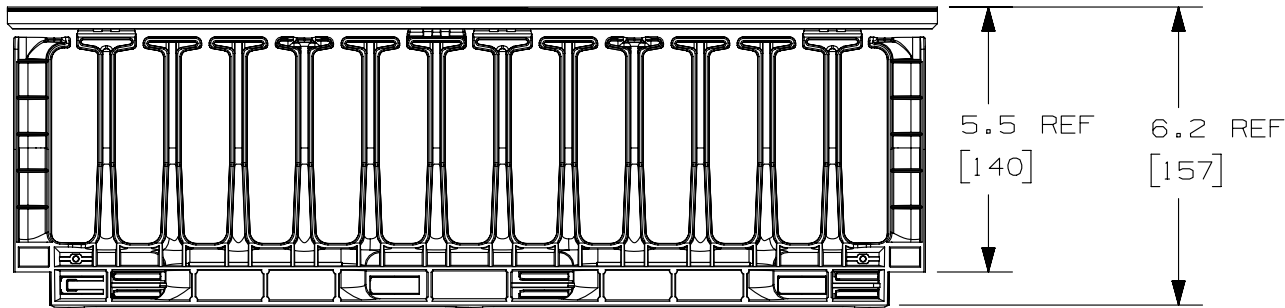


PANDUIT P/N	WEIGHT
NMF2 NMF2WH	1.6 LBS/EACH 730 g/EACH



NOTES:

- VISIT OUR ON-LINE CATALOG AT WWW.PANDUIT.COM FOR A CURRENT LIST OF PRODUCTS APPLICABLE FOR USE WITH THIS PART.
- COMPONENTS:
1- 2RU MANAGER (FRONT ONLY)
1- 2RU 19" COVER
- DIMENSIONS IN PARENTHESIS ARE METRIC.



TITLE		NMF2 CABLE MANAGER											
		CUSTOMER DRAWING											
ITEM REVISION NAME		V10404AF/02		PANDUIT									
DATASET FILE NAME		V10404AF_DC/02A											
UNLESS OTHERWISE SPECIFIED, DIMENSIONAL TOLERANCES ARE: IN (mm)		MATERIAL: MANAGER: ABS 2RU COVER: PVC											
		DRAWING NUMBER: V10404AF-DC											
REV	DATE	BY	CHK	APR	DESCRIPTION	ECN	THIRD ANGLE PROJECTION	DRAWN BY	DATE	CHK	SCALE	SHT 1 OF 1	SIZE
02A	10/28/14	FGR	BAME	TCO	A. ADDED P/N NMF2WH	V09000AS		BAME	3/6/07	TCK			A
01B	7/2/13	FGR	BAME	CMK	TITLE BLOCK UPDATED	V10404AF-DC							

D10100DA/16