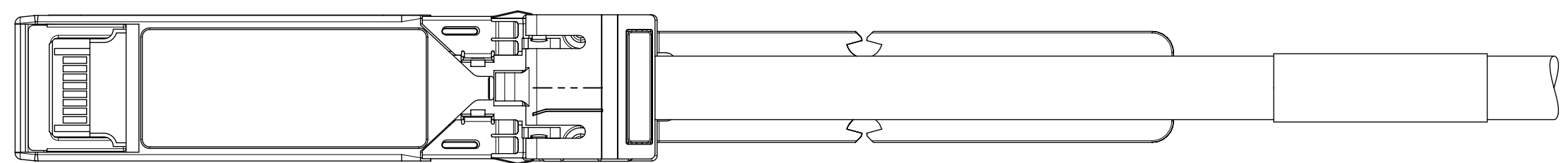
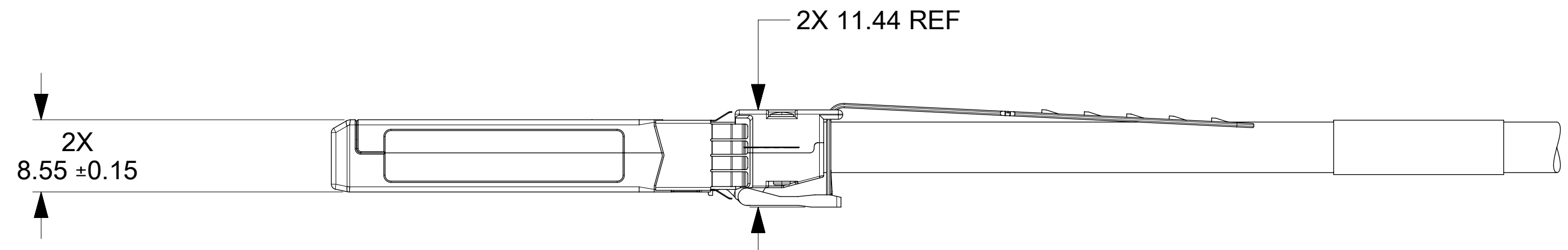


LENGTH
(SEE P/N TABLE)

P1

P2



MOLEX P/N	LENGTH [M]	TOL [mm]	AWG
747521058	0.5	±30	30
747521108	1.0	±50	30
747521158	1.5	±50	30
747521208	2.0	±50	30
747521258	2.5	±50	30
747521308	3.0	±50	30
747521355	3.5	±50	30
747521408	4.0	±50	30
747521508	5.0	±80	30

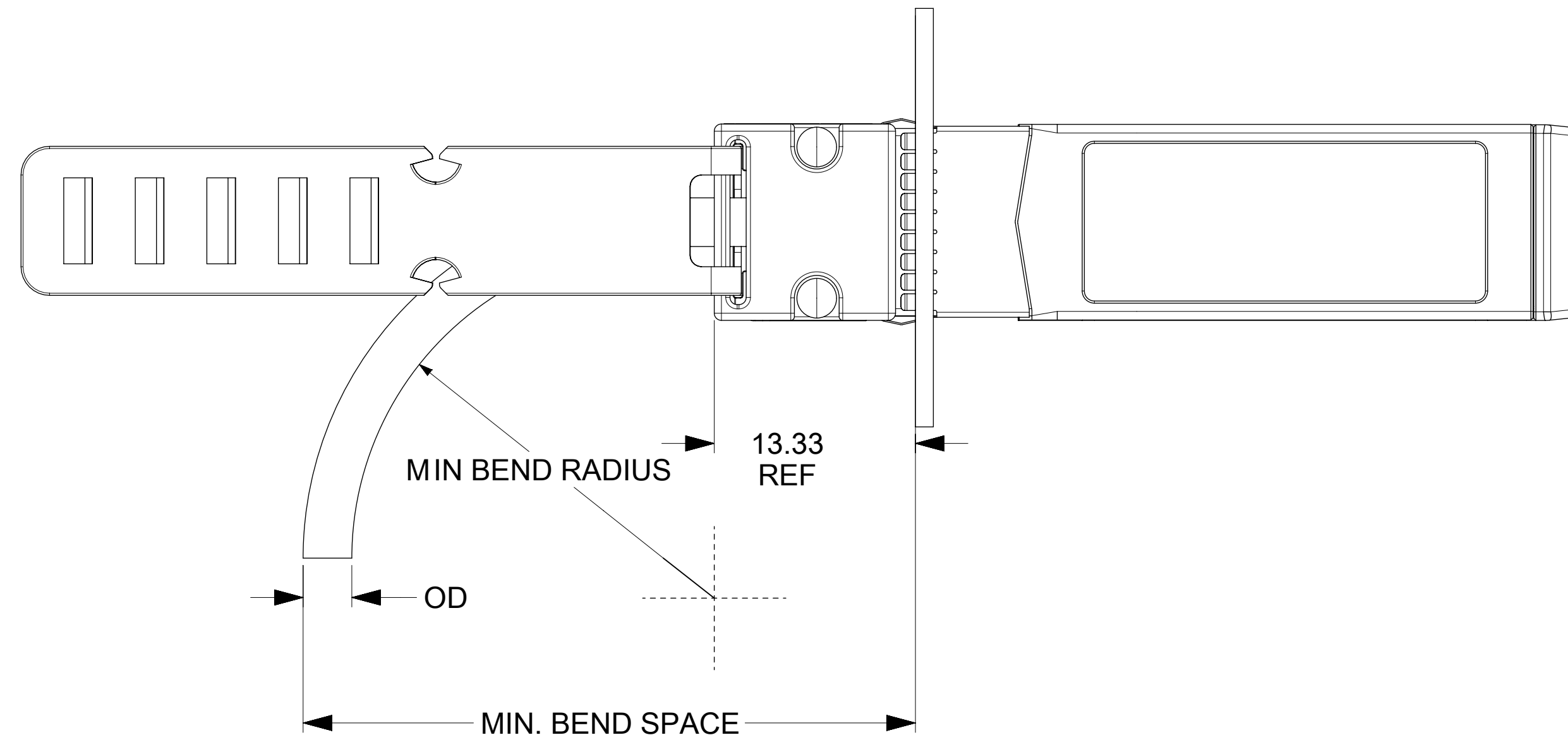
- NOTES:
- MATERIALS
 RAW CABLE - PVC
 BACKSHELLS - NICKEL PLATED ZINC
 DE-LATCH - PLASTIC
 PULL - NYLON
 PCB - HALOGEN FREE LAMINATE MATERIAL
 - IMPEDANCE - 100OHMS DIFFERENTIAL
 - RoHS COMPLIANT, NO EXEMPTIONS
 - EEPROM COMPLIANT TO SFF-8472 REV 11.0

THIS DRAWING CONTAINS INFORMATION THAT IS PROPRIETARY TO MOLEX ELECTRONIC TECHNOLOGIES, LLC AND SHOULD NOT BE USED WITHOUT WRITTEN PERMISSION

DIMENSION UNITS mm	SCALE 2:1	CURRENT REV DESC: OBSOLETE PART NUMBER AS PER PCN#509457.	molex		
GENERAL TOLERANCES (UNLESS SPECIFIED)					
ANGULAR TOL ± 2.0°		EC NO: 680890	PRODUCT CUSTOMER DRAWING		
4 PLACES ±		DRWN: SANTHN 2021/10/08	DOCUMENT NUMBER		
3 PLACES ±		CHK'D: GGA 2021/11/25	DOC TYPE DOC PART REVISION		
2 PLACES ± 0.13		APPR: GGA 2021/11/25	747520008 PSD 000 H1		
1 PLACE ± 0.25		INITIAL REVISION: DRWN: EMEDINA02 2016/04/13	MATERIAL NUMBER CUSTOMER		
0 PLACES ±		APPR: ARAYBURN 2016/04/18	SEE P/N TABLE GENERAL MARKET		
DRAFT WHERE APPLICABLE MUST REMAIN WITHIN DIMENSIONS	THIRD ANGLE PROJECTION	DRAWING SERIES D-SIZE 74752	SHEET NUMBER 1 OF 3		

DOCUMENT STATUS	P1	RELEASE DATE	2021/11/25 12:19:23
-----------------	----	--------------	---------------------

CABLE BEND RADIUS



CABLE AWG	CABLE OD [mm]	MINIMUM BEND RADIUS [mm]	MINIMUM BEND SPACE [mm]
30	4.20	21	38
26	5.20	26	44

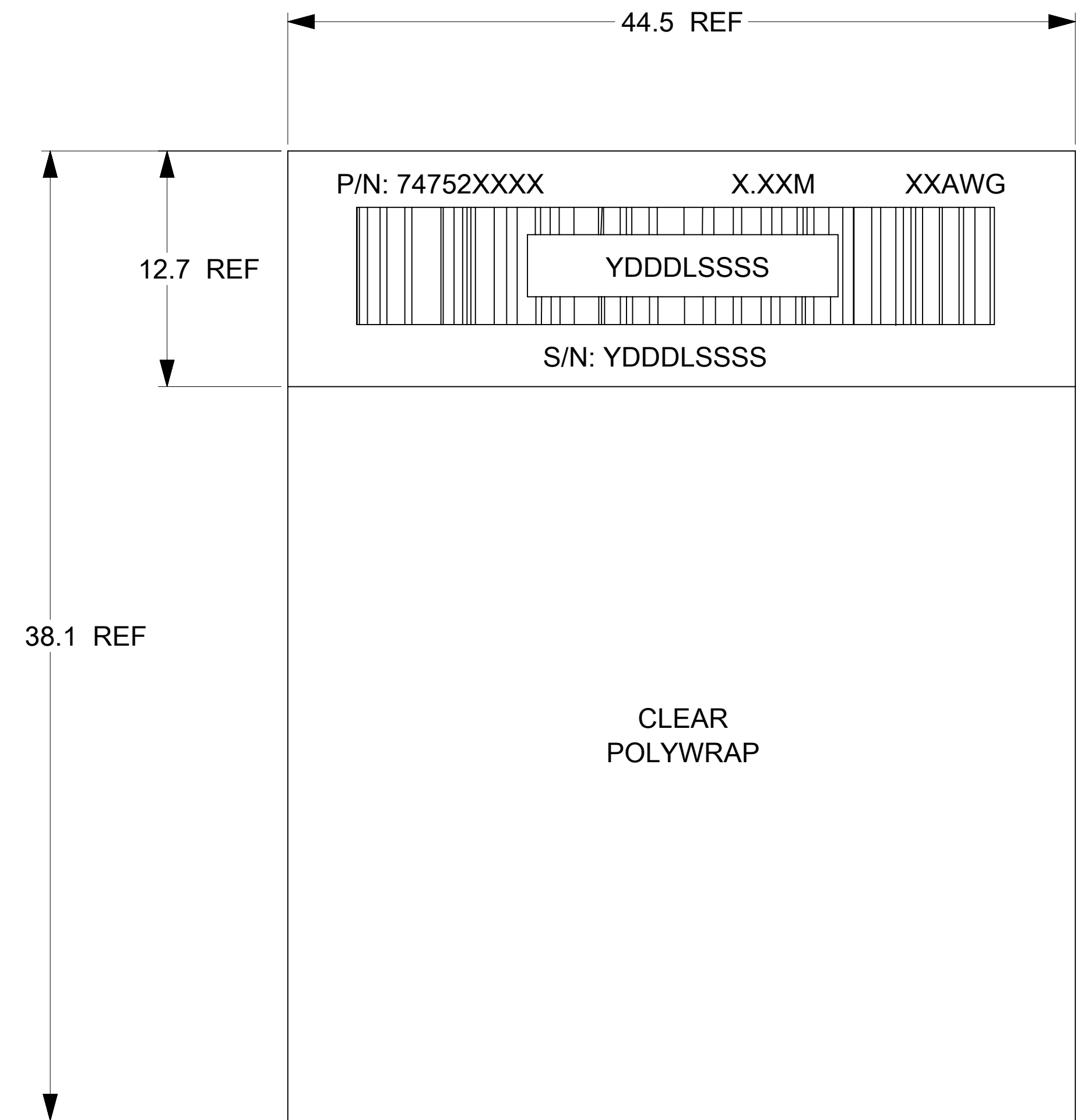
P1 END			P2 END		
PAD	SIGNAL		PAD	SIGNAL	
12	RD-	←	19	TD-	
13	RD+	←	18	TD+	
18	TD+	→	13	RD+	
19	TD-	→	12	RD-	
02	Tx_Fault	NC NC	02	Tx_Fault	
03	Tx_Disable	NC NC	03	Tx_Disable	
04	SDA	■ ■	04	SDA	
05	SCL	■ ■	05	SCL	
06	Mod_ABS	NC NC	06	Mod_ABS	
07	RS0	NC NC	07	RS0	
08	Rx_LOS	NC NC	08	Rx_LOS	
09	RS1	NC NC	09	RS1	
15	VccR	NC NC	15	VccR	
16	VccT	NC NC	16	VccT	

LEGEND:
 → - THRU LINES
 NC - NOT CONNECTED
 ■ - CONNECTION TO A DEVICE ON THE PCB

THIS DRAWING CONTAINS INFORMATION THAT IS PROPRIETARY TO MOLEX ELECTRONIC TECHNOLOGIES, LLC AND SHOULD NOT BE USED WITHOUT WRITTEN PERMISSION

DIMENSION UNITS mm	SCALE 3:1	CURRENT REV DESC: OBSOLETE PART NUMBER AS PER PCN#509457.			
GENERAL TOLERANCES (UNLESS SPECIFIED)					
ANGULAR TOL	± 2.0°	EC NO: 680890	PRODUCT CUSTOMER DRAWING		
4 PLACES	±	DRWN: SANTHN 2021/10/08			
3 PLACES	±	CHK'D: GGA 2021/11/25	INITIAL REVISION: DRWN: EMEDINA02 2016/04/13 APPR: ARAYBURN 2016/04/18		
2 PLACES	± 0.13	APPR: GGA 2021/11/25			
1 PLACE	± 0.25		THIRD ANGLE PROJECTION 		
0 PLACES	±				

CABLE LABEL DETAILS



P/N: SEE TABLE
 S/N: Y = YEAR, LAST DIGIT OF YEAR
 DDD = DAY OF THE YEAR
 L = LOCATION - 1 = USA
 2 = MEXICO
 3 = CHINA
 4 = PHILIPPINES
 SSSS = SERIAL NUMBER
 X.XXM: CABLE LENGTH, SEE TABLE
 XXAWG: WIRE GAGE, SEE TABLE
 (DATE CODE ISO-8601 FORMAT)

THIS DRAWING CONTAINS INFORMATION THAT IS PROPRIETARY TO MOLEX ELECTRONIC TECHNOLOGIES, LLC AND SHOULD NOT BE USED WITHOUT WRITTEN PERMISSION										
DIMENSION UNITS	SCALE	CURRENT REV DESC: OBSOLETE PART NUMBER AS PER PCN#509457.				molex				
mm	2:1					SFP+ TO SFP+ 10G PASSIVE CABLE ASSEMBLY				
GENERAL TOLERANCES (UNLESS SPECIFIED)						PRODUCT CUSTOMER DRAWING				
ANGULAR TOL ± 2.0°										
4 PLACES ±		EC NO: 680890								
3 PLACES ±		DRWN: SANTHN		2021/10/08						
2 PLACES ± 0.13		CHK'D: GGA		2021/11/25						
1 PLACE ± 0.25		APPR: GGA		2021/11/25						
0 PLACES ±		INITIAL REVISION:								
		DRWN: EMEDINA02		2016/04/13		DOCUMENT NUMBER		DOC TYPE DOC PART REVISION		
		APPR: ARAYBURN		2016/04/18		747520008		PSD	000	H1
DRAFT WHERE APPLICABLE MUST REMAIN WITHIN DIMENSIONS		THIRD ANGLE PROJECTION	DRAWING	SERIES	MATERIAL NUMBER	CUSTOMER		SHEET NUMBER		
			D-SIZE	74752	SEE P/N TABLE	GENERAL MARKET		3 OF 3		