

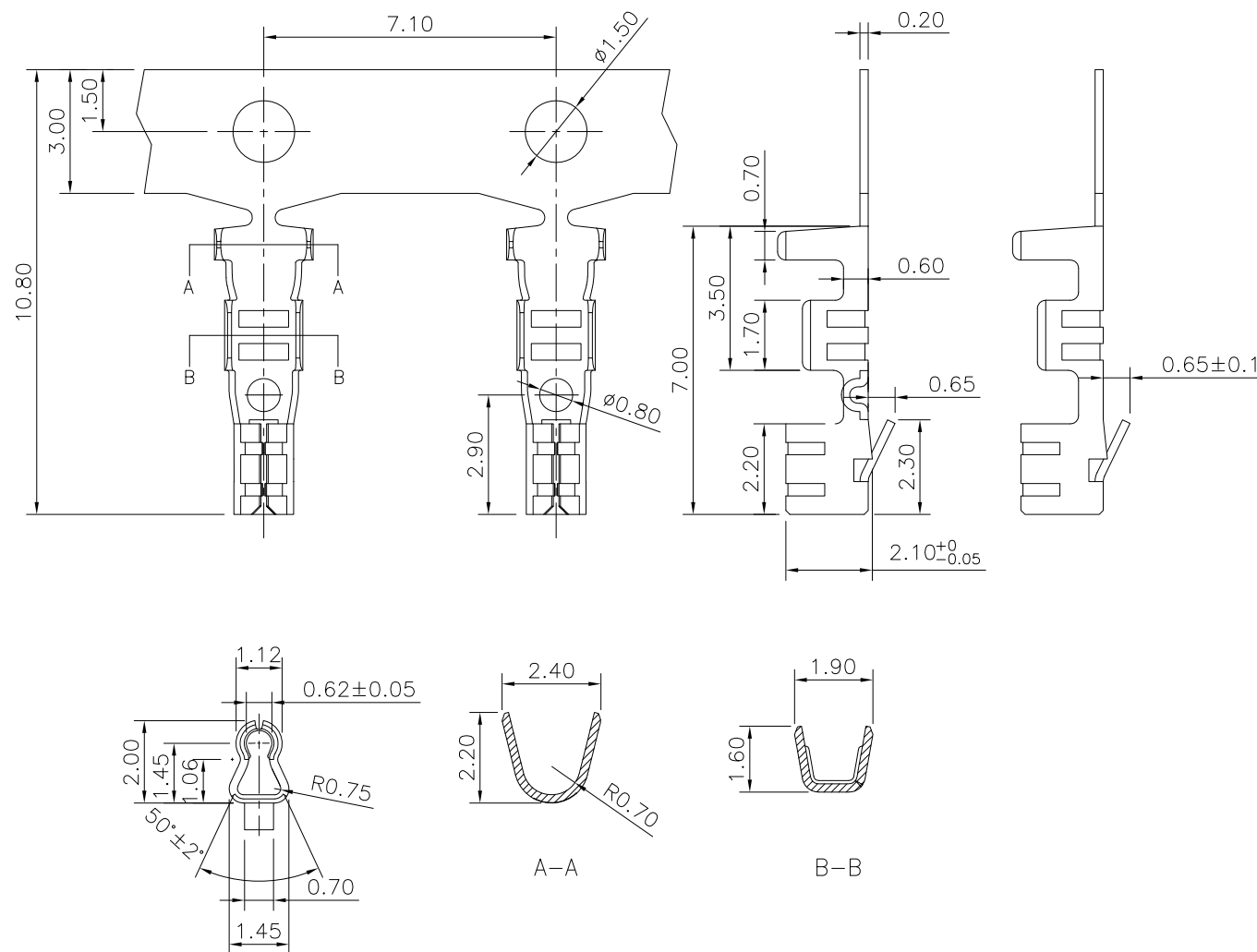
1

2

3

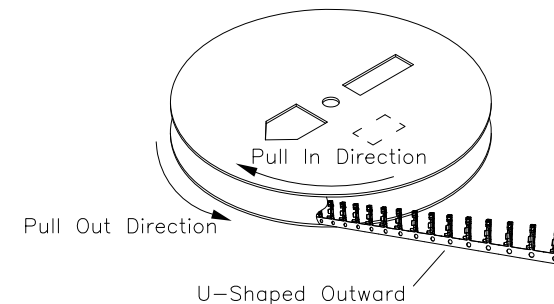
4

5



Specifications:
 Current Rating:3.0A AC,DC
 Voltage Rating:250V AC,DC
 Contact Resistance:20mohm Max
 Insulation Resistance:1000Mohm Min.
 Withstanding Voltage:1000V AC/minute
 Operating Temperature Range:-25°C~+85°C
 Application Wires:AWG22 to 28
 Mate With 52225 Series Housing

Material and Finish
 Contact:Phosphor Bronze
 Finish:Tin Plated



RoHS Compliant

REV	DATE	FILE	BY
	17-Nov-2020		

DRAWN:

CHECKED:

APPROVAL:

GENERAL TOLERANCE:

.X=±0.20

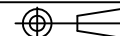
.XX=±0.15

UNIT: MM

SCALE:1:1

SHEET: 1 / 2

PROJECTION:



CnC Tech

Industrial Cable and Connector Technology

DESCRIPTION:

Wire-To Board Housing
Terminal,2.5mm,M Series

PART NO:

52325

SIZE

A4

A

B

C

D