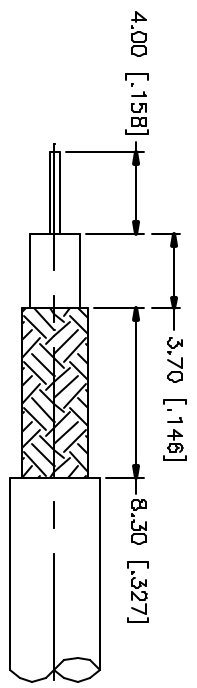
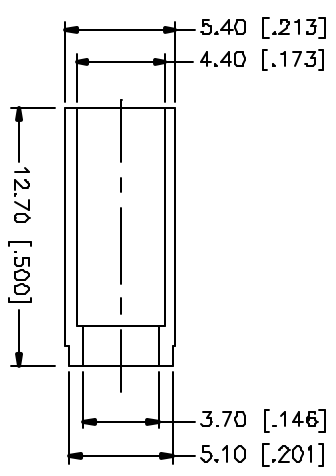
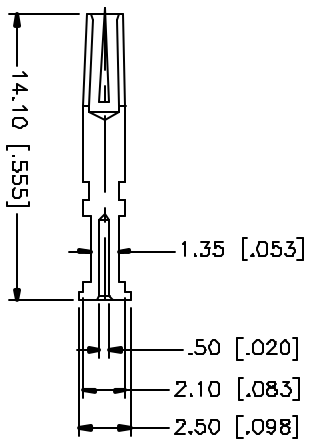
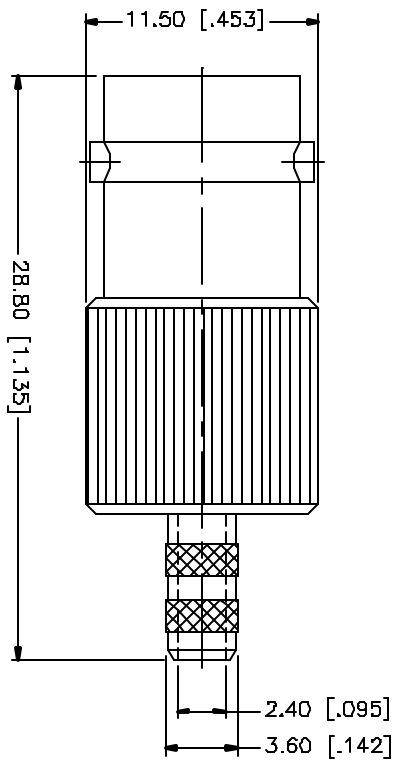


REV.	DATE	DESCRIPTION
A	03/18/05	UPDATE DRAWING FORMAT



RECOMMENDED
CABLE STRIPPING DIM'S



QTY	FINISH	MATERIAL	DESCRIPTION
1	NICKEL	COOPER	FERRULE
1	GOLD	PHOS. BRONZE	CONTACT FIN
1	NATURAL	TEFLON	INSULATOR
1	NICKEL	BRASS	BODY

APPROVALS	DATE
DRAWN G.R.S.	03/18/05
CHECKED	
ISSUED	
SHEET 1 OF 1	

UNITED STATES GOVERNMENT SPECIFICATIONS	UNITED STATES GOVERNMENT SPECIFICATIONS
UNLESS OTHERWISE SPECIFIED, MATERIALS AND FINISHES SHALL BE AS SHOWN ON THE DRAWING. REFER TO THE DRAWING FOR DIMENSIONS AND FINISHES.	UNLESS OTHERWISE SPECIFIED, MATERIALS AND FINISHES SHALL BE AS SHOWN ON THE DRAWING. REFER TO THE DRAWING FOR DIMENSIONS AND FINISHES.
UNLESS OTHERWISE SPECIFIED, DIMENSIONS FOR DIMENSIONS ARE:	UNLESS OTHERWISE SPECIFIED, DIMENSIONS FOR DIMENSIONS ARE:
D ± .020mm	D ± .020mm
Ø ± .030mm	Ø ± .030mm
3D ± .120mm	3D ± .120mm

UNITED STATES GOVERNMENT SPECIFICATIONS	UNITED STATES GOVERNMENT SPECIFICATIONS
UNLESS OTHERWISE SPECIFIED, DIMENSIONS FOR DIMENSIONS ARE:	UNLESS OTHERWISE SPECIFIED, DIMENSIONS FOR DIMENSIONS ARE:
.020 ± .015	.020 ± .015
.315 ± .180	.315 ± .180
1.180 ± .4724	1.180 ± .4724

APPROVALS	DATE
DRAWN G.R.S.	03/18/05
CHECKED	
ISSUED	
SHEET 1 OF 1	

PART DESCRIPTION	PART NO.
BNC CRIMP JACK (FOR AT&T 735A - 75ohm)	112974

DWG. NO.	REV.	SIZE	SCALE
112974.DWG	A	A	NA

Amphenol Connex

BNC CRIMP JACK
(FOR AT&T 735A - 75ohm)

112974

C:/112/112974.DWG