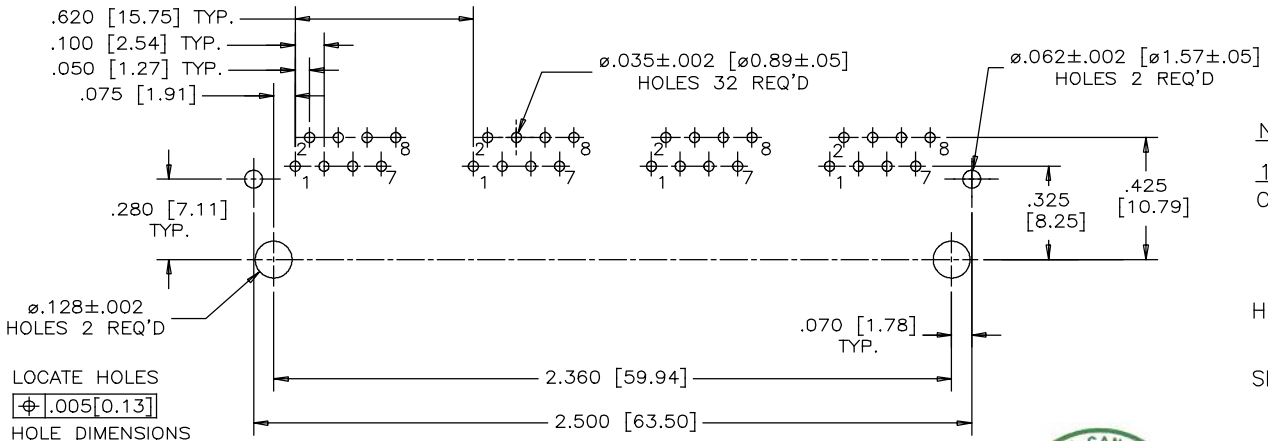
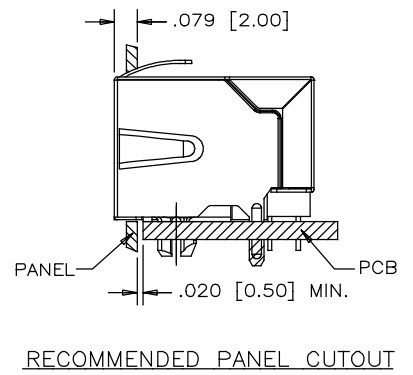
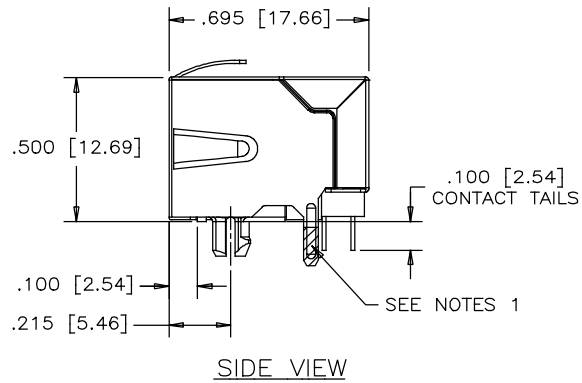
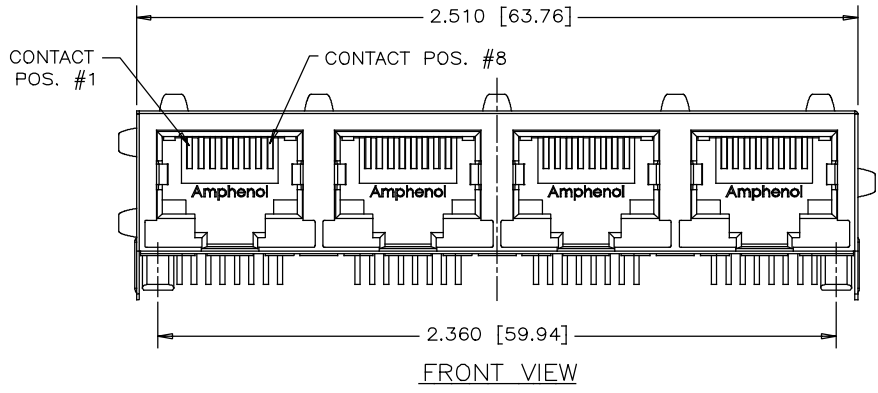


REVISIONS			
REV	DESCRIPTION, ECN, EAR NO.	DATE	APP'D
A	PROPOSAL	SEP09/19	L.CHAN



**NOTES:**

**1. MATERIALS:**

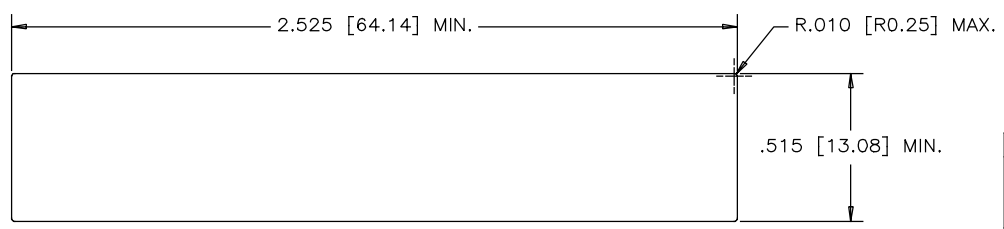
- CONTACTS: PHOSPHOR BRONZE, PLATING: SELECTIVE GOLD PLATING ON MATING SURFACES. SEE PART NO. FOR THICKNESS.
- HOUSING: ENGINEERING THERMOPLASTIC COLOR - BLACK, FLAMMABILITY RATING UL 94V-0
- SHIELD: COPPER ALLOY
- PLATING: NIVKEL WITH TIN FINISHED ON PCB TAILS.

**2. RECOMMENDED SOLDERING TEMPERATURE**

WAVE SOLDERING PEAKED AT 260°C MAX. FOR 5 SECONDS MAX.

AMPHENOL PART NO.: RJSBE-X280-C4

- GOLD PLATING OPTION:
- D = 6u" GOLD PLATING
  - G = 15u" GOLD PLATING
  - J = 30u" GOLD PLATING
  - 5 = 50u" GOLD PLATING



UNLESS SPECIFIED OTHERWISE	DRAWN	RONNIE.C	SEP09/19
PRIMARY UNITS INCHES	CHECKED	KELVIN.T	SEP09/19
SECONDARY MILLIMETERS	M.E. APP'D		
REFERENCE IN PARENTHESES	Q.A. APP'D		
GENERAL TOLERANCES	DWG APP'D		
1 DECIMAL PLACE	ENG. REL. NO.		
2 DECIMAL PLACES	REF.		
3 DECIMAL PLACES ±.015			
ANGULAR DEGREES ±1.5°	THIRD ANGLE PROJECTION		
	DO NOT SCALE DRAWING		

Amphenol Canada Corp. Commercial Products	
FOUR PORTS MODULAR JACK, 8 POSITION, 8 CONTACTS, WITHOUT LED, WITH FRRITE, SHIELDED WITH TOP AND SIDE TABS, - RoHS COMPLIANT	
DWG NO.	REV A
P-RJSBE-X280-C4	
CODE ID NO. 03554	SHEET 1 OF 1