

PLP16 Series Panel Mount LED Sealed Pushbutton Switch

NEW



A
Pushbutton

Features/Benefits

- Illuminated & non-illuminated type
- Momentary or lock version
- IP65 or IP40 sealed
- 1,000,000 life cycle
- Choices of colors on LED illumination
- Various actuator sizes and styles
- Withstand high shock and vibration application

Typical Applications

- Industrial control panel
- Off-road transportation
- Machine and equipment
- Production control indicator



Specifications

FUNCTION: SPDT or DPDT
CONTACT ARRANGEMENT: N.O. AND N.C.
MOUNTING TYPE: Threaded front panel mount

Mechanical

OPERATING LIFE: Momentary 1,000,000 cycles
Lock 100,000 cycles
TOTAL TRAVEL: 1.2 ± 0.3 mm
OPERATING FORCE: 3.0 max.

Electrical

CONTACT RATING: 1th 5A / 250 VAC
3A / 250 VAC
1A / 30 VDC
OPERATING LIFE: Momentary 100,000 cycles
Lock 50,000 cycles
DIELECTRIC STRENGTH: 2,000 V RMS @ sea level
INSULATION RESISTANCE: 100 MΩ min. @ 500 VDC
INITIAL CONTACT RESISTANCE : 50 mΩ max. initial value

Materials

BUSHING: PEI
BASE / LED holder: PBT
ACTUATOR: PC
INTERNAL ASSEMBLY: POM / PC
SPRING: Steel (SUS304)
SEALING / O-ring: Silicone
TERMINALS: Brass, Gold over Nickel plated
CONTACT: Phosphorus Bronze, Silver plated

Operating Environment

OPERATING TEMPERATURE: -25°C to 55°C
SEALING / PROTECTION: IP65 or IP40

NOTE: Specifications and materials listed above are for switches with standard options. For information on specific and custom switches, please contact Customer Service.

Build-A-Switch

To order, simply select desired option from each category and place in the appropriate box.



Switch Type

| Illuminated PB / Pilot light (Apply voltage) | Non-illuminated PB (CAP options) |
|--|----------------------------------|
| 00 Without LED | C1 Solid color |
| 06 6 VAC/DC | C2 Transparent |
| 12 12 VAC/DC | |
| 24 24 VAC/DC | |

Actuator Style *

- RD** Round
- SQ** Square
- TA** Rectangular
- RV** Round oversize
- SV** Square oversize
- TV** Rectangular oversize
- TG** Rectangular guard

Actuator Color

- 2** White
- 3** Red
- 4** Black **
- 5** Yellow
- 6** Green
- 7** Blue
- 8** Orange ***

IP Rating

- 4** IP40
- 6** IP65

Mechanical Function

- A** Momentary
- E** Lock
- N** Pilot light

Contact Arrangement

- S** SPDT
- D** DPDT
- P** Pilot light

* Pilot light & C2 CAP available on RD, SQ, or TA actuator style only

** For C1 CAP only

*** Not available on C1 CAP

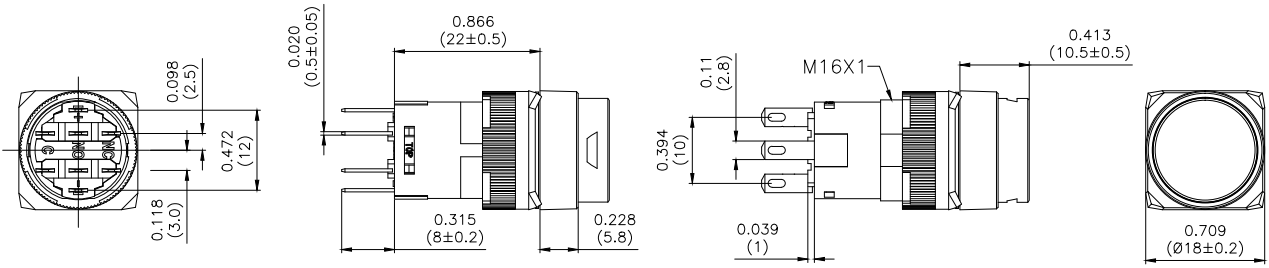
NEW

PLP16 Series Panel Mount LED Sealed Pushbutton Switch

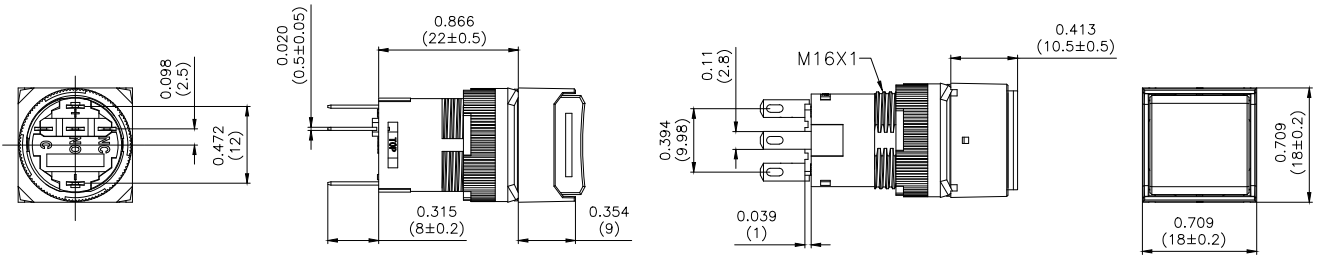
STANDARD VIEW / SWITCH TYPE

Pushbutton
A

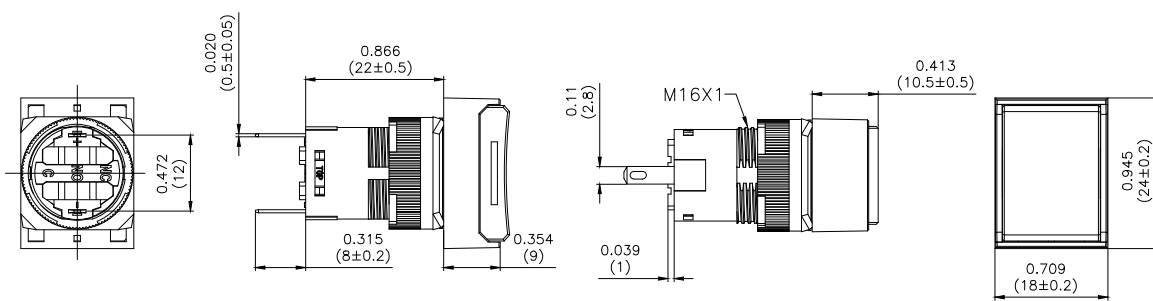
ILLUMINATED Ø 5/8" (16 MM)



PUSHBUTTON Ø 5/8" (16 MM)

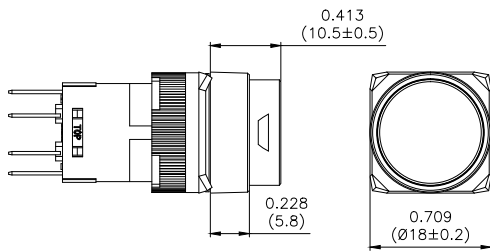


PILOT LAMP Ø 5/8" (16 MM)

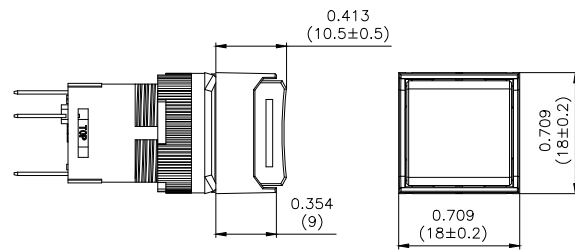


ACTUATOR STYLE / CAP SIZE

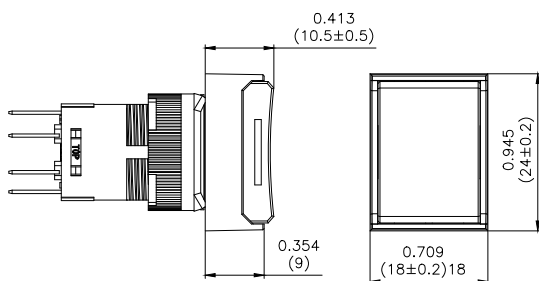
RD ROUND



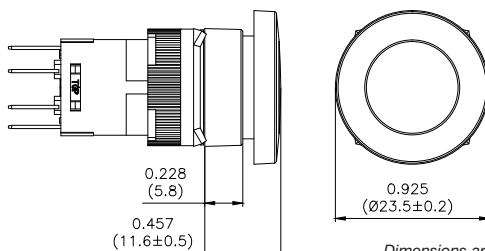
SQ SQUARE



TA RECTANGULAR



RV ROUND OVERSIZE



Dimensions are shown: Inches (mm)
Specifications and dimensions subject to change

PLP16 Series Panel Mount LED Sealed Pushbutton Switch

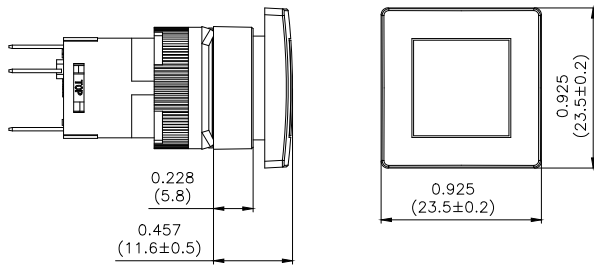
NEW



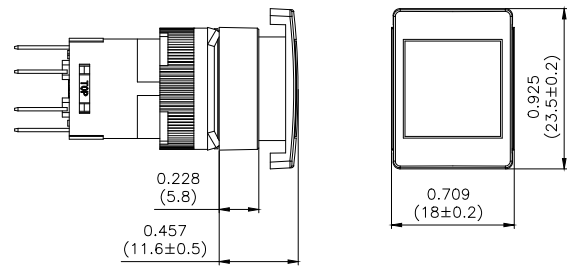
A
Pushbutton

ACTUATOR STYLE / CAP SIZE

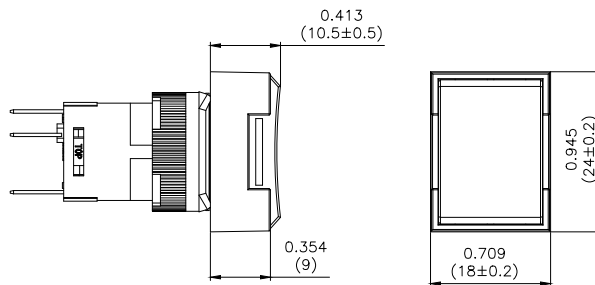
SV SQUARE OVERSIZE



TV RECTANGULAR OVERSIZE

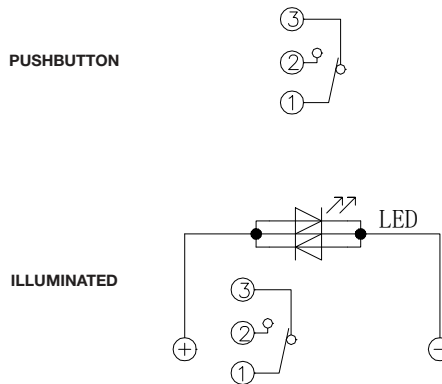


TG RECTANGULAR WITH GUARD

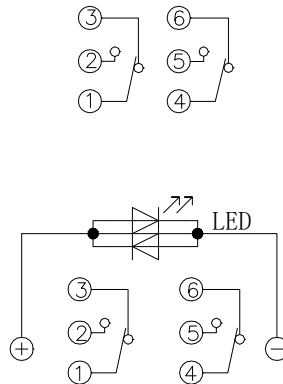


CONTACT ARRANGEMENT

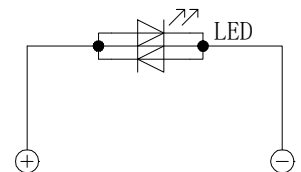
S SPDT



D DPDT

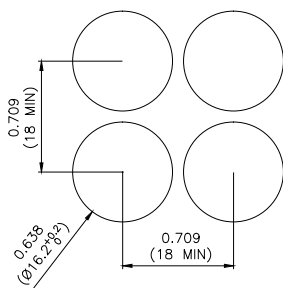


P PILOT LIGHT

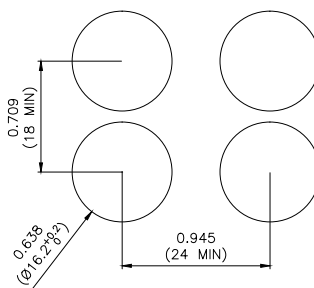


MOUNTING HOLES LAYOUT

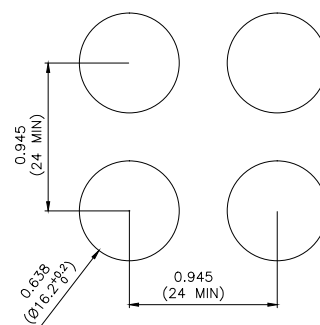
ROUND / SQUARE



**RECTANGULAR
(PLUS FULL GUARD & OVERSIZE)**



OVERSIZE ROUND & SQUARE



Mounting panel thickness reference dia: 0.5-0.6 mm

8 Nov 21

Dimensions are shown: Inches (mm)
Specifications and dimensions subject to change

NEW


PLP16 Series Panel Mount LED Sealed Pushbutton Switch

LED - LAMP RATING

| | | | | |
|--|----|---|---------------------|---------------------|
| Voltage Range | | 6V AC/DC \pm 5% | 12V AC/DC \pm 10% | 24V AC/DC \pm 10% |
| Rated Voltage | | 6V AC/DC | 12V AC/DC | 24V AC/DC |
| Current Draw | DC | 8 mA | 8 mA | 8 mA |
| | AC | 9 mA | 9 mA | 9 mA |
| Lamp Base Color / Lamp Body Resin Color | | Illumination color / Porcelain white | | |
| Life (reference value) | | 50,000 hours (brightness of LED lamp will half of the initial value when using DC only) | | |

ACCESSORY ORDERING INFORMATION

LED LAMP

| | Rated Voltage | Ordering Code |
|---|---------------|---------------|
|  | 6V AC/DC | PL06X * |
| | 12V AC/DC | PL12X * |
| | 24V AC/DC | PL24X * |



* X = choice of LED color

| X | Color |
|---|--------|
| 2 | White |
| 3 | Red |
| 5 | Yellow |
| 6 | Green |
| 7 | Blue |
| 8 | Orange |

SWITCH PROTECTIVE GUARD FOR IP65 (180° SPRING RETURN COVER)#

**ROUND
PCS651****SQUARE
PCS652****RECTANGULAR
PCS653**

SWITCH PROTECTIVE GUARD FOR IP40 & IP65

| Rated | Cover Opening | For Actuator Type | Ordering Code | Rated | Cover Opening | For Actuator Type | Ordering Code |
|---|---------------|-------------------|---------------|---|---------------|-------------------|---------------|
|  | 90° | Round / Square | PC401 |  | 90° | Round / Square | PC654 |
| | | Rectangular | PC402 | | | Rectangular | PC655 |
| | 180° | Round / Square | PC403 | | 180° | Round / Square | PC656 |
| | | Rectangular | PC404 | | | Rectangular | PC657 |

Refer to spec for panel cutout dimensions and mounting instruction