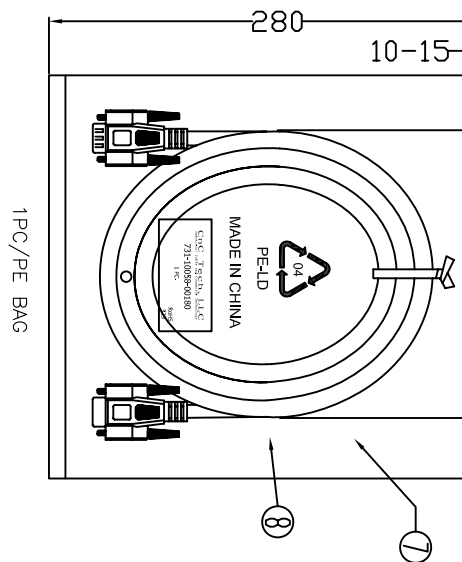
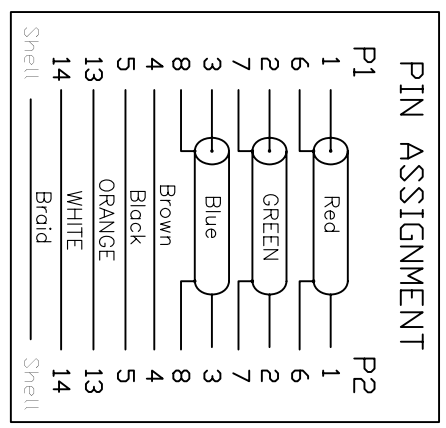
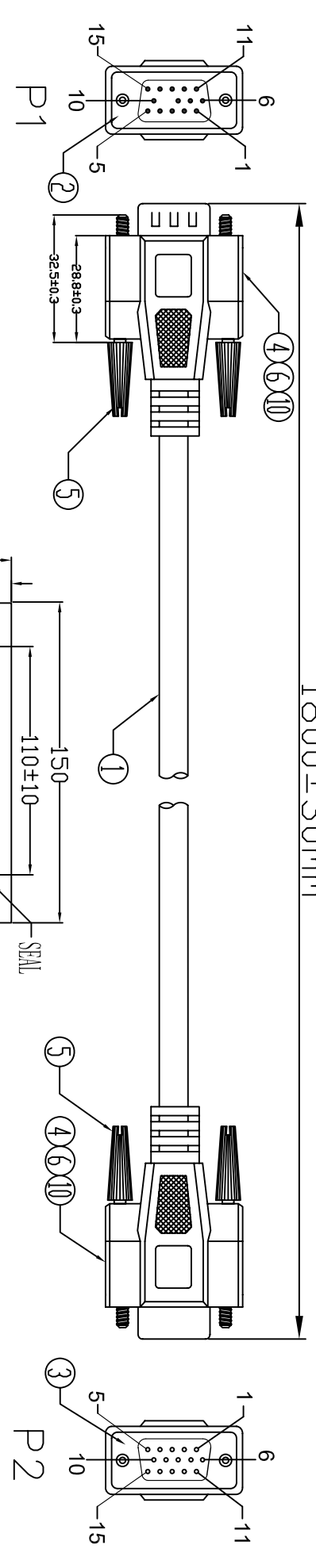


UNIT:mm



Electronic Test:
 1. 100% Test,(Open,Short,Miss Wire)
 2. Contact Resistance:3 ohm max.
 3. Insulation Resistance:20M ohm min.
 4. Hi-Pot:300V DC/10ms

⑩	TUBE	14	HEAT SHRINK TUBE BLACK OD1.5* $L=15MM+2PCS$,OD1.5* $L=10MM+6PCS$,OD3.0* $L=8MM+6PCS$.	
⑨	PE BAG	1/5	CLEAR SIZE:360*380*0.05mm PRINT BLACK"MADE IN CHINA"+"5PCS".	
⑧	TIE	2	WHITE $L=120mm$	
⑦	PE BAG	1	CLEAR SIZE:150*280*0.05mm PRINT BLACK"MADE IN CHINA"+"1PC"	
⑥	COPPER FOIL	2	DOUBLE-SIDED CONDUCTIVE COPPER FOIL 18U" $W25mm*L=55mm$	
⑤	SCREW	4	SCREW:#4-4QUNC D-E $L32.5mm$,NICKEL PLATED,INSULATION COLOR BEIGE(V-29)	
④	OUT JACKET	43.5g	BEIGE(V-29) 40P PVC(MOULD NO:NM-113)	
	IN JACKET	8g	CLEAR LDPE(MOULD NO:NM-049)	
③	CONN	1	HDD15P FEMALE,PIN G/F-SHELL-NICKEL,INSULATION COLOR:BLUE. SOLDER TYPE.	
②	CONN	1	HDD15P MALE,PIN G/F-SHELL-NICKEL,INSULATION COLOR:BLUE. MISSING 9PIN SOLDER TYPE.	
①	CABLE	1	UL2919 28AWG(1C+S)*3COAX(T75 OHMS)+28AWG(T/0.125TC)+4C+AL/NY+D+W(T/0.16TC)+B(24/6/0.12)+OUTER JACKET COROL:BEIGE(V-29) OD:8.1±0.15mm. $L=1800±10mm$.	
	NO.	NAME	QTY	SPECIFICATION

CNC Tech, LLC
 Industrial Cable and Connector Technology

DRAWN BY	ZHONGHS	DRAWING NO.	
CHECKED BY		CUSTOMER	
APPROVAL BY		ITEM NO.	731-10058-00180
DECIDE BY		DATE	2012-02-06
VERSIONS/EDITION	A/0	PROJECTION	