

1

2

3

4

5

6

7

A

B

C

D

E

F

A

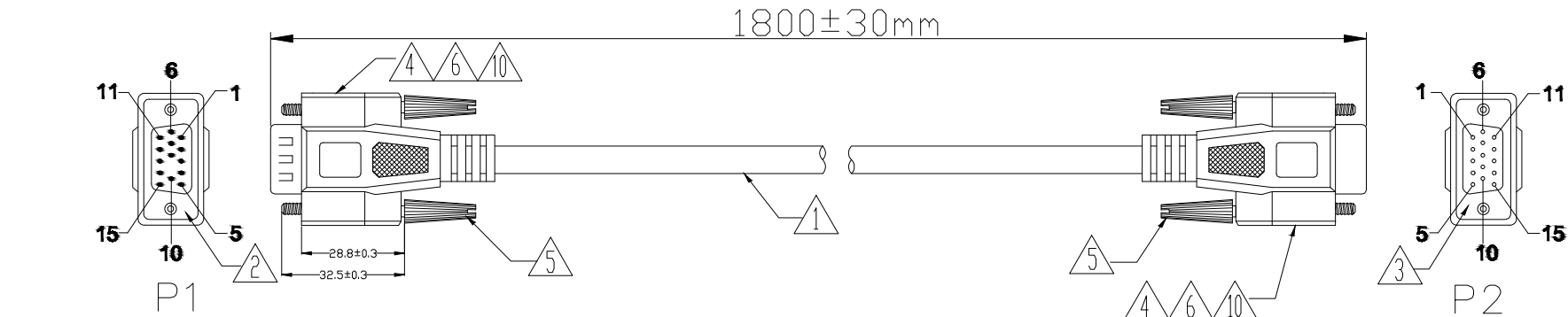
B

C

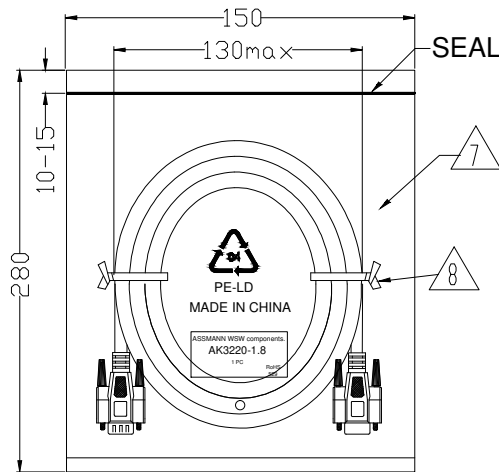
D

E

F



TEST CONDITION:
 1.100% OPEN, SHORT, MISWIRE TEST
 2.CONDUCT RESISTANCE : 3 Ω Max
 3.INSULATION RESISTANCE: 20M Ω Min
 4.Dielectric test:300V DC



1PC/PE BAG

PIN ASSIGNMENT			
P1			P2
1	Red		1
6			6
2	GREEN		2
7			7
3	Blue		3
8			8
4	Brown		4
5	Black		5
13	ORANGE		13
14	WHITE		14
Shell	Braid		Shell

NO.	NAME	Q'TY	SPECIFICATION
△14	TUBE	14	HEAT SHRINK TUBE BLACK OD1.5*L=15MM*2PCS,OD1.5*L=10MM*6PCS,OD3.0*L=8MM*6PCS,
△1/5	PE BAG	1/5	CLEAR SIZE:360*380*0.05mm PRINT BLACK"MADE IN CHINA"+*5PCS".
△2	TIE	2	WHITE L=120mm
△1	PE BAG	1	CLEAR SIZE:150*280*0.05mm PRINT BLACK"MADE IN CHINA"+*1PC"
△2	COPPER FOIL	2	DOUBLE-SIDED CONDUCTIVE COPPER FOIL 18U" W25mm*L55mm
△4	SCREW	4	SCREW:#4-40UNC D-E L32.5mm,NICKEL PLATED,INSULATION COLOR BEIGE(V-29)
△43.5g	OUT JACKET	43.5g	BEIGE(V-29) 40P PVC(MOULD NO:WM-113)
△8g	IN JACKET	8g	CLEAR LDPE(MOULD NO:NM-049)
△1	CONN	1	HDD15P FEMALE,PIN G/F.SHELL-NICKEL,INSULATION COLOR:BLUE. SOLDER TYPE.
△1	CONN	1	HDD15P MALE,PIN G/F.SHELL-NICKEL,INSULATION COLOR:BLUE. MISSING 9PIN SOLDER TYPE.
△1	CABLE	1	UL2919 28AWG(1C+S)*3COAX(75 OHMS)+28AWG(7/0.125TC)+4C+AL/MY+D.W(7/0.16TC)+B(24/6/0.12)+OUTER JACKET COROL:BEIGE(V-29) OD:8.1±0.15mm. L=1800±10mm.

RoHS compliant
Unit: mm

Scale	Free				Date	Name	Customer-No.
TOLERANCE					Drawn	29.11.2018	Xavier
					Approved	29.11.2018	Xavier
							ASSMANN WSW-No. AK3220-1.8
DIM	TOL						Drawing-No.
		①	Drawn	29.11.2018	Xavier	ASSMANN WSW components	ASS 8425 CA rev00
Angle	TOL	Id.	Modification	Date	Name	Replace	Sheet 1/1

1

2

3

4

5

6

7

H