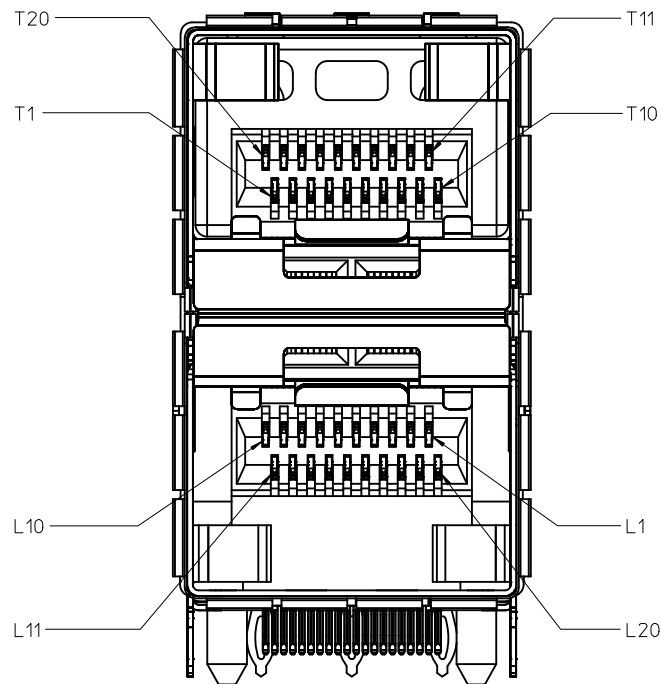
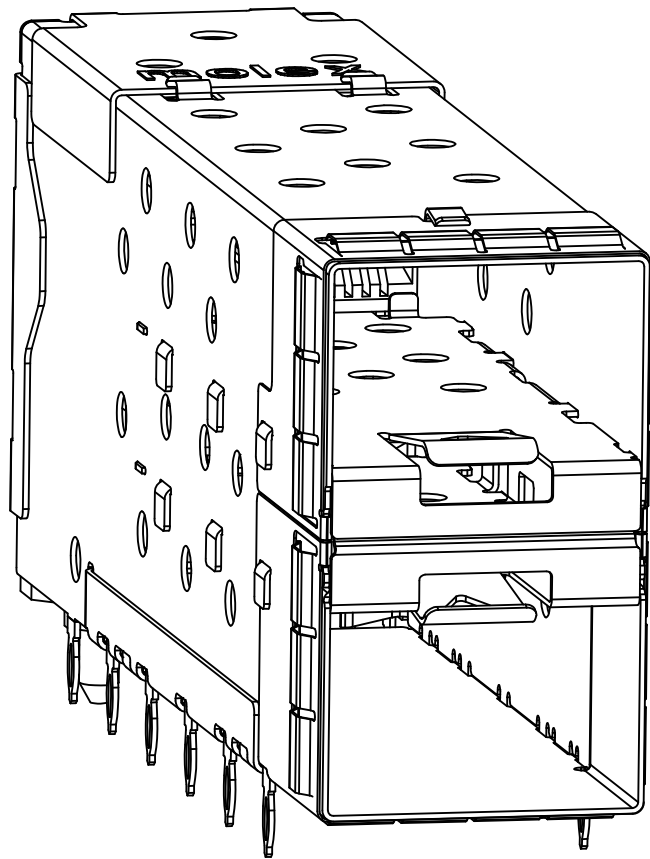


NOTES

- MATERIAL:
 - EMI METAL GASKET: CONDUCTIVE ELASTOMER
 - CAGE: NICKEL SILVER, THICKNESS: 0.25mm
 - CONNECTOR HOUSING: GLASS FILLED LIQUID CRYSTAL POLYMER (LCP), UL 94V-0, COLOR: BLACK
 - OVERMOLD TERMINAL HOUSING: GLASS FILLED LIQUID CRYSTAL POLYMER (LCP), UL 94V-0, COLOR: BLACK
 - TERMINALS: TIN BRASS
- FINISHES:
 - TERMINALS: CONTACT AREA: 0.76 MICROMETERS MINIMUM HARD GOLD OVER 1.27 MICROMETERS MINIMUM NICKEL.
 - COMPLIANT TAIL - MATTE TIN/LEAD OPTION: 0.76 TO 1.52 MICROMETERS 90/10 MATTE TIN-LEAD OVER 0.76 MICROMETERS MINIMUM NICKEL.
 - COMPLIANT TAIL - MATTE TIN OPTION: 0.76 TO 1.52 MICROMETERS MATTE TIN OVER 0.76 MICROMETERS MINIMUM NICKEL.
 - EMI GASKET: 2.54 MICROMETERS MINIMUM NICKEL OVERALL
- REFER TO PS-75310-001 PRODUCT SPEC FOR ALL ELECTRICAL, MECHANICAL, AND ENVIRONMENTAL SPECIFICATIONS.
- REFER TO PK-75462-001 FOR ALL PACKAGING SPECIFICATIONS.
- THE SURFACES CONFORM TO THE MOLEX COSMETIC SPEC PS-45499-002.
 - ALL EXTERIOR SURFACES TO BE CLASS "B" SURFACE EXCEPT THE UNDERSIDE (CLASS "C") OF THE CAGE (SIDE TOWARD THE PCB) AND AS OTHERWISE NOTED.
- REFER TO AS-76090-001 FOR HIGH SPEED ROUTING RECOMMENDATIONS.
- DATE CODE LOCATION IS SHOWN ABOVE.
 - DATE CODE FORMAT: DDDY MX A1
 - DDD = DAY OF THE YEAR
 - Y = YEAR
 - MX = MOLEX
 - A = ALPHA CHARACTER - INDICATES MANUFACTURING LINE
 - 1 = NUMERIC CHARACTER - INDICATES PRODUCTION SHIFT

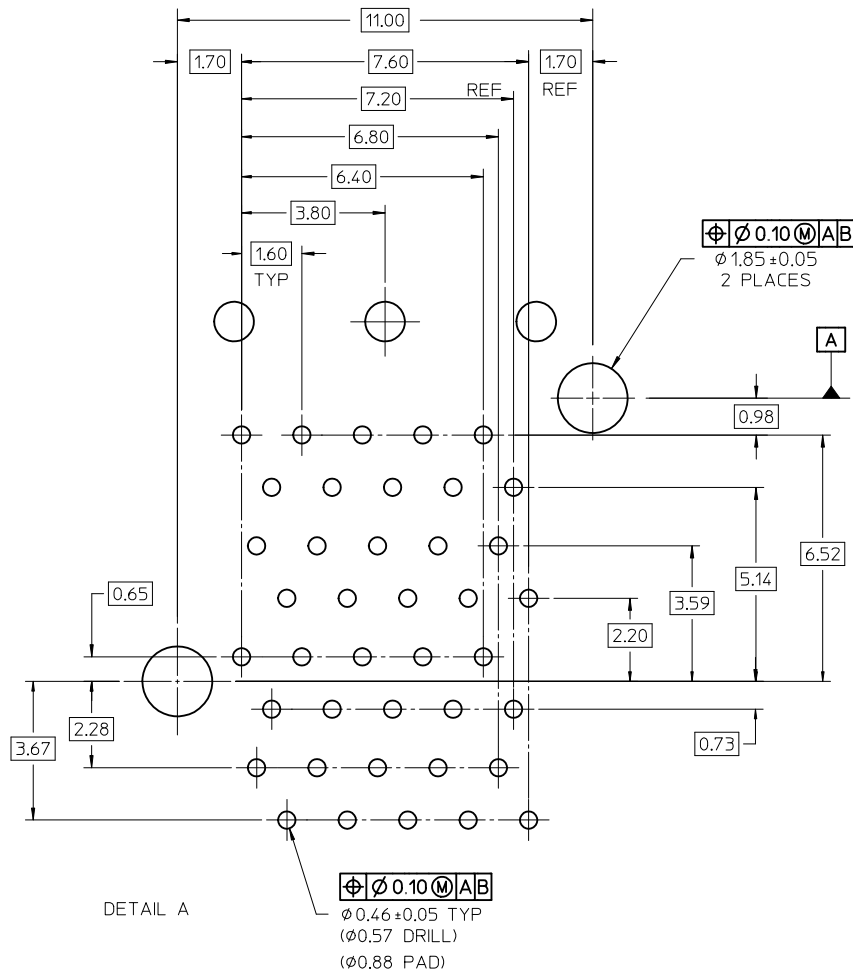
PART NUMBER	COMPLIANT TAIL PLATING
760640001	MATTE TIN / LEAD
760645001	MATTE TIN

ADD NOTE 6 & 7 EC NO: UCP2011-2594 DRWN: MWOLFE 2011/02/28 CHKD: BBARKER 2011/02/28 APPR: SMILLER 2011/09/20	QUALITY SYMBOLS 	GENERAL TOLERANCES (UNLESS SPECIFIED)		DIMENSION STYLE MM ONLY	SCALE 3:1	DESIGN UNITS METRIC	THIRD ANGLE PROJECTION	
		4 PLACES ± --- ± ---	DRAWN BY JJANTELEZ10	DATE 11/3/06	TITLE STACKED SFP+ 2X1 ASS'Y WITH METAL EMI GASKET			
		3 PLACES ± --- ± ---	CHECKED BY JLONG	DATE 07/12/2007	MOLEX MOLEX INCORPORATED			
		2 PLACES ± 0.13 ± ---	APPROVED BY MBANAKIS	DATE 07/12/2007	DOCUMENT NO. SD-76064-001			
1 PLACE ± 0.25 ± ---	ANGULAR ± 5 °		MATERIAL NO. SEE TABLE	SHEET NO. 1 OF 4	THIS DRAWING CONTAINS INFORMATION THAT IS PROPRIETARY TO MOLEX INCORPORATED AND SHOULD NOT BE USED WITHOUT WRITTEN PERMISSION			
DRAFT WHERE APPLICABLE MUST REMAIN WITHIN DIMENSIONS			SIZE 					



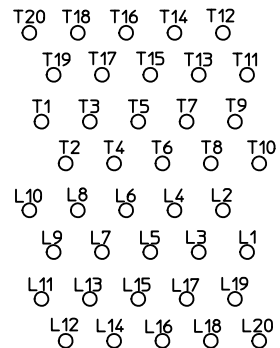
CIRCUIT NUMBERING

ADD FRONT VIEW EC NO: UCP2011-2594 DRWIN:WOLFE 2011/02/28 CHKD:BBARKER 2011/02/28 APPR:SMILLER 2011/09/20	QUALITY SYMBOLS ▽=0 ▽=0 ▽=0	GENERAL TOLERANCES (UNLESS SPECIFIED) <table border="1"> <thead> <tr> <th></th> <th>mm</th> <th>INCH</th> </tr> </thead> <tbody> <tr> <td>4 PLACES</td> <td>± ---</td> <td>± ---</td> </tr> <tr> <td>3 PLACES</td> <td>± ---</td> <td>± ---</td> </tr> <tr> <td>2 PLACES</td> <td>± 0.13</td> <td>± ---</td> </tr> <tr> <td>1 PLACE</td> <td>± 0.25</td> <td>± ---</td> </tr> </tbody> </table> ANGULAR ± 5 °		mm	INCH	4 PLACES	± ---	± ---	3 PLACES	± ---	± ---	2 PLACES	± 0.13	± ---	1 PLACE	± 0.25	± ---	DIMENSION STYLE MM ONLY DRAWN BY: J JANTELEZ10 DATE: 11/3/06 CHECKED BY: JLONG DATE: 07/12/2007 APPROVED BY: MBANAKIS DATE: 07/12/2007	SCALE 6:1 DESIGN UNITS METRIC THIRD ANGLE PROJECTION	TITLE STACKED SFP+ 2X1 ASS'Y WITH METAL EMI GASKET
		mm	INCH																	
	4 PLACES	± ---	± ---																	
	3 PLACES	± ---	± ---																	
2 PLACES	± 0.13	± ---																		
1 PLACE	± 0.25	± ---																		
MATERIAL NO. SEE TABLE	DOCUMENT NO. SD-76064-001	SHEET NO. 2 OF 4																		
DRAFT WHERE APPLICABLE MUST REMAIN WITHIN DIMENSIONS	SIZE C	THIS DRAWING CONTAINS INFORMATION THAT IS PROPRIETARY TO MOLEX INCORPORATED AND SHOULD NOT BE USED WITHOUT WRITTEN PERMISSION																		
MOLEX INCORPORATED																				

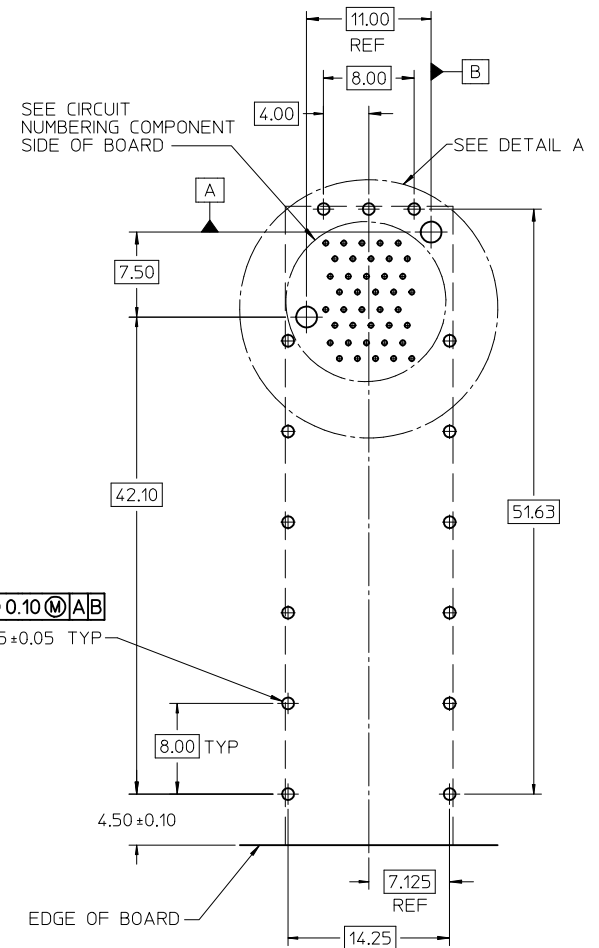


DETAIL A

⊕ ⌀ 0.10 (M) AB
 ⌀ 0.46 ± 0.05 TYP
 (⌀ 0.57 DRILL)
 (⌀ 0.88 PAD)

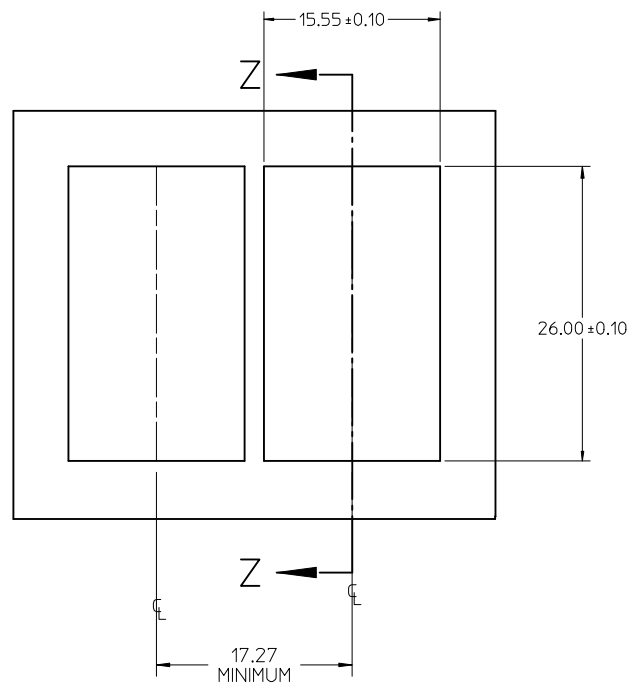


CIRCUIT NUMBERING
 COMPONENT SIDE OF BOARD
 SCALE 10:1

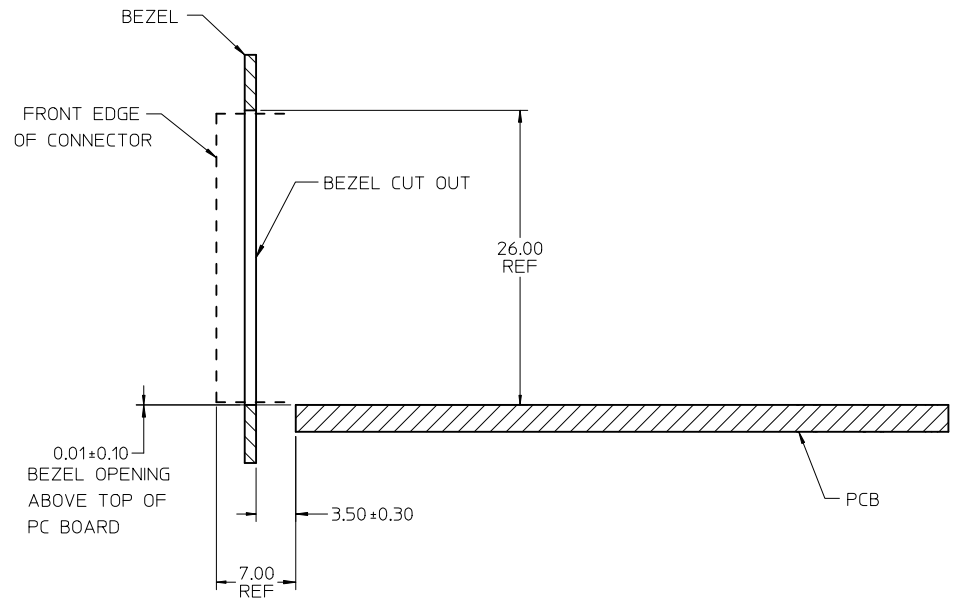


RECOMMENDED PCB LAYOUT - COMPONENT SIDE
 MINIMUM PCB THICKNESS OF 1.57mm
 THE ENTIRE AREA OF THE CONNECTOR FOOTPRINT
 TO BE CONSIDERED THE KEEP OUT AREA INDICATED
 BY THE DASHED LINE

CHG EC NO: UCP2011-2594 DRAWN: MWOLFE CHKD: HBARKER APPR: SMILLER	REV	DESCRIPTION	QUALITY SYMBOLS	GENERAL TOLERANCES (UNLESS SPECIFIED)		DIMENSION STYLE		SCALE	DESIGN UNITS	THIRD ANGLE PROJECTION
		2011/02/28	▽=0	mm	INCH	MM ONLY	3:1	METRIC	STACKED SFP+ 2X1 ASS'Y WITH METAL EMI GASKET	
		2011/02/28	▽=0	4 PLACES ± ---	± ---	DRAWN BY	DATE	MOLEX INCORPORATED		
		2011/09/20	▽=0	3 PLACES ± ---	± ---	JJANTELEZ10	11/3/06		DOCUMENT NO.	SD-76064-001
DRAFT WHERE APPLICABLE MUST REMAIN WITHIN DIMENSIONS				ANGULAR ± 5 °		SEE TABLE		SHEET NO. 3 OF 4		
THIS DRAWING CONTAINS INFORMATION THAT IS PROPRIETARY TO MOLEX INCORPORATED AND SHOULD NOT BE USED WITHOUT WRITTEN PERMISSION										



BEZEL CUT-OUT CENTER SPACING DETAIL
BEZEL THICKNESS 0.8-2.6



SECTION Z-Z

DELETE MIDDLE BEZEL DIM EC NO: UCP2011-2594 DRWN:MMOLFE 2011/02/28 CHKD:BBARKER 2011/02/28 APPR:SMILLER 2011/09/20	QUALITY SYMBOLS	GENERAL TOLERANCES (UNLESS SPECIFIED)		DIMENSION STYLE MM ONLY		SCALE 3:1	DESIGN UNITS METRIC	THIRD ANGLE PROJECTION	
	▽=0	mm	INCH	DRAWN BY JJANTELEZ10	DATE 11/3/06	TITLE STACKED SFP+ 2X1 ASS'Y WITH METAL EMI GASKET			
	▽=0	4 PLACES ± ---	± ---	CHECKED BY JLONG	DATE 07/12/2007				
	▽=0	3 PLACES ± ---	± ---	APPROVED BY MBANAKIS	DATE 07/12/2007	MOLEX INCORPORATED DOCUMENT NO. SD-76064-001		SHEET NO. 4 OF 4	
	2 PLACES ± 0.13	± ---	MATERIAL NO. SEE TABLE		THIS DRAWING CONTAINS INFORMATION THAT IS PROPRIETARY TO MOLEX INCORPORATED AND SHOULD NOT BE USED WITHOUT WRITTEN PERMISSION				
	1 PLACE ± 0.25	± ---	DRAFT WHERE APPLICABLE MUST REMAIN WITHIN DIMENSIONS						
	ANGULAR ± 5 °								