

10 9 8 7 6 5 4 3 2 1

F

F

E

E

D

D

C

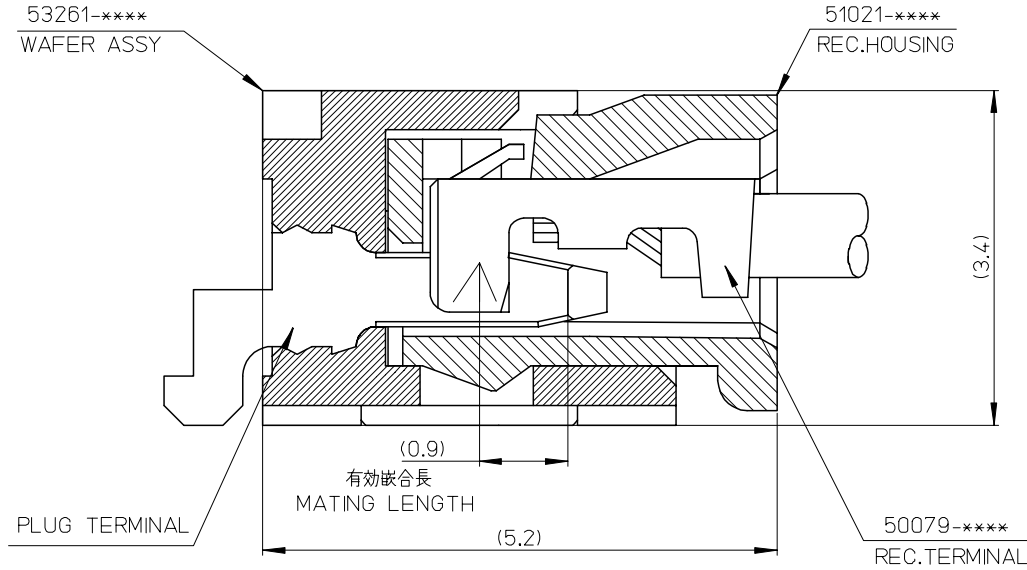
C

B

B

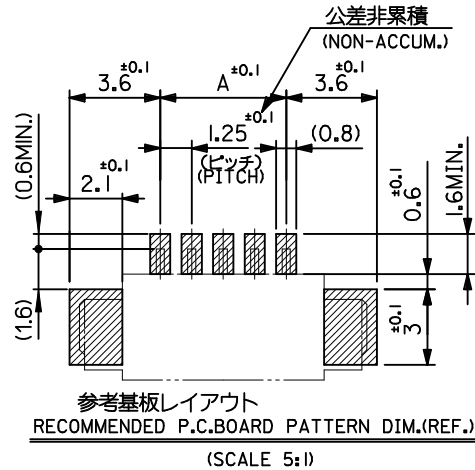
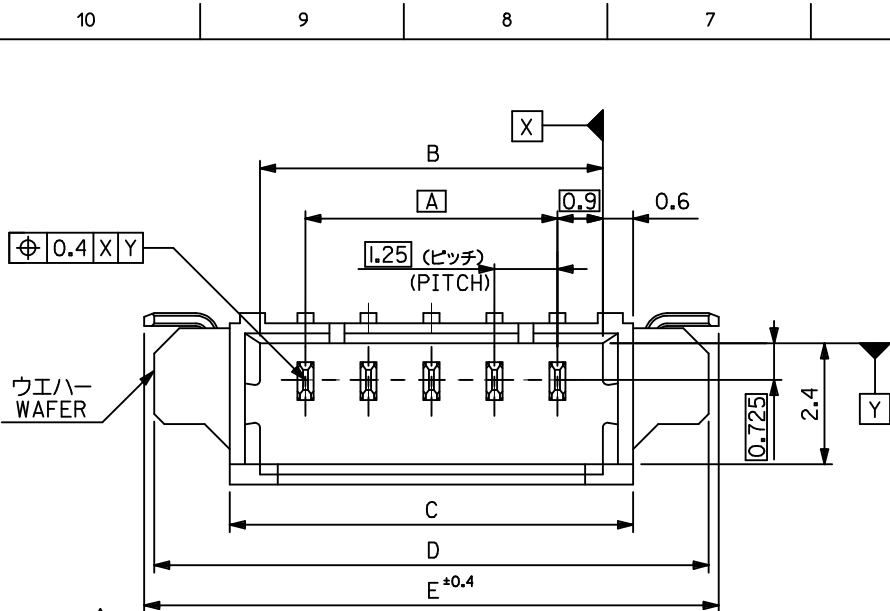
A

A

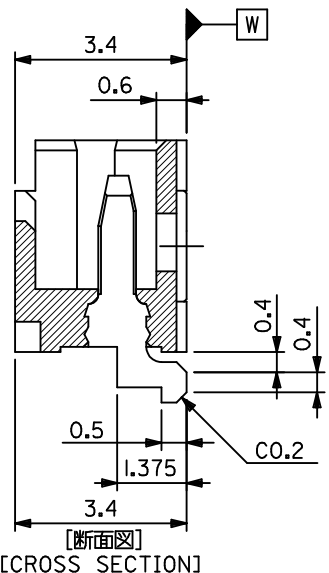
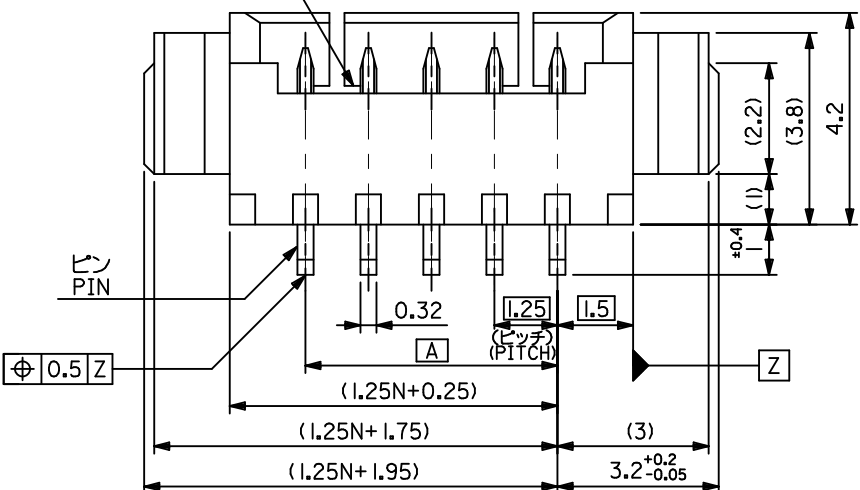


53261-****	WAFER ASSY	MODEL NO./MATERIAL NO.
50079-****	TERMINAL	
51021-****	HOUSING	

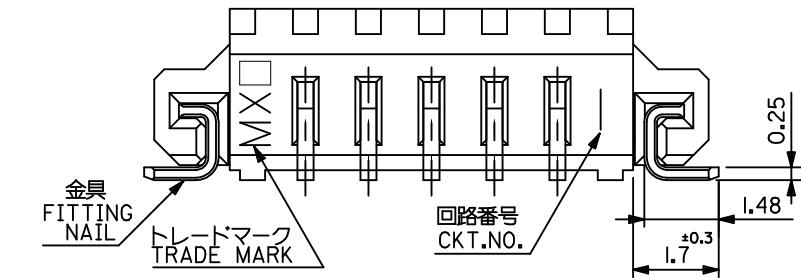
RELEASED EC NO: J2006-2426 DRWN: A0YAGI 2006/02/02 CHKD: YMAEDA 2006/02/03 APPR: NUKITA 2006/02/07	GENERAL TOLERANCES (UNLESS SPECIFIED)		DIMENSION STYLE MM ONLY		SCALE ---	DESIGN UNITS METRIC	THIRD ANGLE PROJECTION	
	10 UNDER	± ---	DRAWN BY Y. A0YAGI	DATE 2006/01/30	TITLE 1.25 W-TO-B CONN. 51021,53261 MATING CROSS SECTION			
	10 OVER 30 UNDER	± ---	CHECKED BY Y. MAEDA	DATE 2006/01/30	MOLEX INCORPORATED			
	30 OVER	± ---	APPROVED BY N. UKITA	DATE 2006/01/30	MATERIAL NO. SEE CHART			
	ANGULAR ± --- °		DRAFT WHERE APPLICABLE MUST REMAIN WITHIN DIMENSIONS		DOCUMENT NO. SD-51021-002	SHEET NO. 1 OF 1		



- 注記 NOTES
1. 嵌合相手: 51021 シリズ
MATES WITH: 51021 SERIES
 2. 材質 MATERIAL
ウエハー: NYLON46, UL94V-0
ピン: リン青銅, 半田メッキ
PIN: PHOS-BRO., Sn-Pb(9:1) 3 μmMIN.
OVER Cu 1 μmMIN.
PLATING
金具: リン青銅, 半田メッキ
FITTING NAIL: PHOS-BRO., Sn-Pb(9:1) 2 μmMIN.
OVER Cu 1 μmMIN.
PLATING
 - △ ロック窓は2、3極は1箇所、4極以上は2箇所とする。
LOCKING WINDOW: ONE PLACE FOR 2 AND 3 CKT. AND TWO PLACES FOR MORE THAN 3 CKT.
 4. ソルダータール部のズレ量及び金具(補強板)のズレ量は基準面 W に対し、上方向 0.05 MAX.、下方向に 0.1 MAX. とする。
OFFSET BETWEEN BASIS PLANE W TO SOLDER TAIL BOTTOM AND FITTING NAIL BOTTOM: UPPER SIDE: 0.05MAX. LOWER SIDE: 0.1MAX.



23.9	23.5	20.5	19.3	17.5	53261-1510	15
22.65	22.25	19.25	18.05	16.25	-1410	14
21.4	21	18	16.8	15	-1310	13
20.15	19.75	16.75	15.55	13.75	-1210	12
18.9	18.5	15.5	14.3	12.5	-1110	11
17.65	17.25	14.25	13.05	11.25	-1010	10
16.4	16	13	11.8	10	-0910	9
15.15	14.75	11.75	10.55	8.75	-0810	8
13.9	13.5	10.5	9.3	7.5	-0710	7
12.65	12.25	9.25	8.05	6.25	-0610	6
11.4	11	8	6.8	5	-0510	5
10.15	9.75	6.75	5.55	3.75	-0410	4
8.9	8.5	5.5	4.3	2.5	-0310	3
7.65	7.25	4.25	3.05	1.25	53261-0210	2
E	D	C	B	A	ENG. NO.	極数 CKT.



REVISED EC NO: J2012-1315 2012/04/17
DRWN: NITO 2012/04/17
CHKD: KASAKAWA 2012/04/17
APPR: YOITO 2012/04/26

DESCRIPTION

GENERAL TOLERANCES (UNLESS SPECIFIED)

10 UNDER	±0.2
10 OVER 30 UNDER	±0.25
30 OVER	±0.3
ANGULAR	±3 °

DRAFT WHERE APPLICABLE MUST REMAIN WITHIN DIMENSIONS

DIMENSION STYLE: MM ONLY

SCALE: 10:1

DESIGN UNITS: METRIC

THIRD ANGLE PROJECTION

DRAWN BY: NITO DATE: 2012/04/17

CHECKED BY: KASAKAWA DATE: 2012/04/17

APPROVED BY: YOITO DATE: 2012/04/26

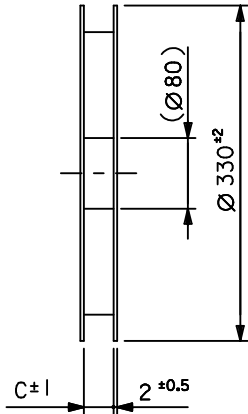
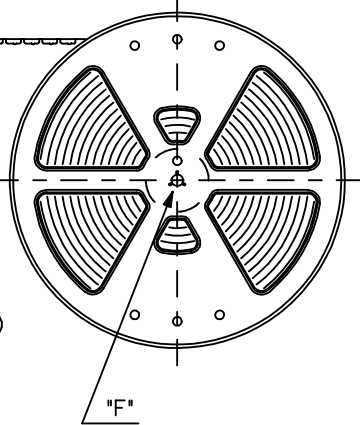
MATERIAL NO.: SEE DRAWING

DOCUMENT NO.: SD-53261-054

SHEET NO.: 1 OF 1

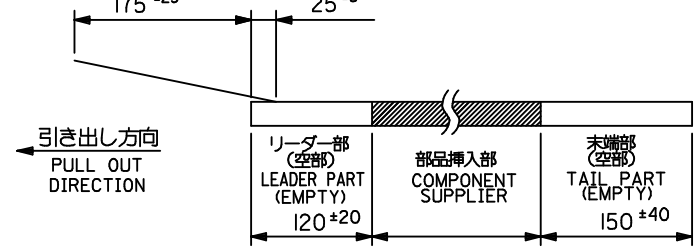
THIS DRAWING CONTAINS INFORMATION THAT IS PROPRIETARY TO MOLEX INCORPORATED AND SHOULD NOT BE USED WITHOUT WRITTEN PERMISSION

引き出し方向
PULL OUT DIRECTION

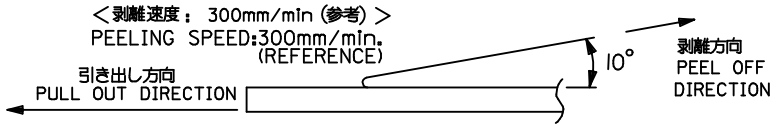


注記
NOTES

- 53261-**-10 の詳細寸法については図面 SD-53261-**-10 を参照下さい。
RE DETAILED DIMENSIONS, SEE SD-53261-**-10.
- 梱包数量: 1000個/リール
NUMBER OF CONNECTOR: 1000PCS/REEL
- リードテープ長さ LEAD TAPE LENGTH
トップテープリーダ部 TOP TAPE LEADER PART 175 ±25
トップテープ未接着部 TOP TAPE NON-BONDED PART 25 ±5



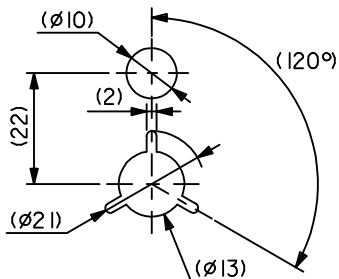
- トップテープの剥離強度: 0.1N~0.59N(10.2~60gf) (剥離方向は下図参照)
PEELING OFF FORCE OF TOP TAPE: 0.1N~0.59N(10.2~60gf)
(PEELING DIRECTION IS SHOWN IN FOLLOWING FIG.)



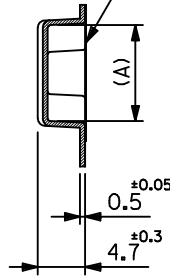
- 材料 (MATERIAL)
キャリアテープ (CARRIER TAPE): ポリプロピレン (POLYPROPYLENE)
トップテープ (TOP TAPE): PET, PE, PEF
リール (REEL): ポリスチレン (PS) <リサイクル材含む>
POLYSTYRENE (PS) <RECYCLE MATERIAL CONTAINED>

△ コネクタ、ハウジング平面部
CONNECTOR, HOUSING FLAT AREA

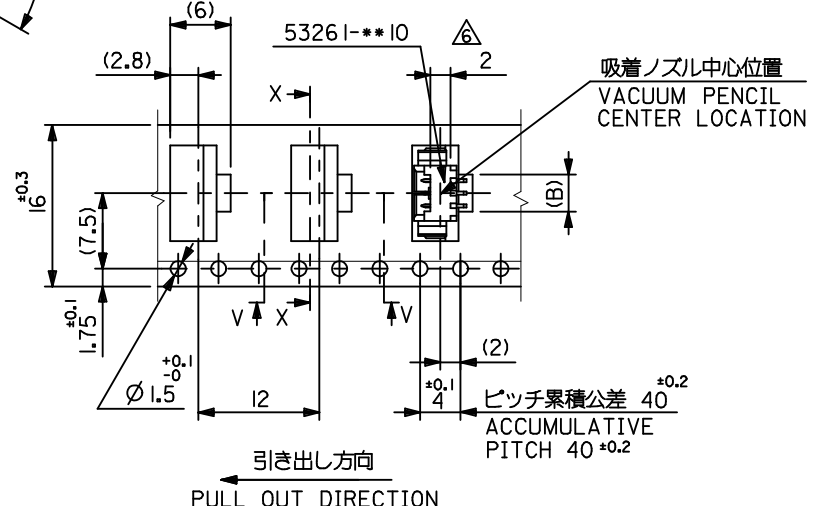
DETAIL "F"



トップテープ
TOP TAPE

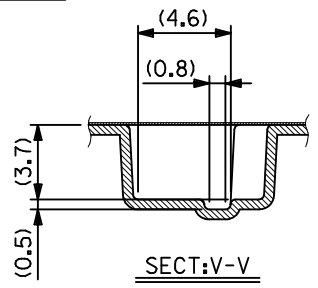


SECT:X-X



引き出し方向
PULL OUT DIRECTION

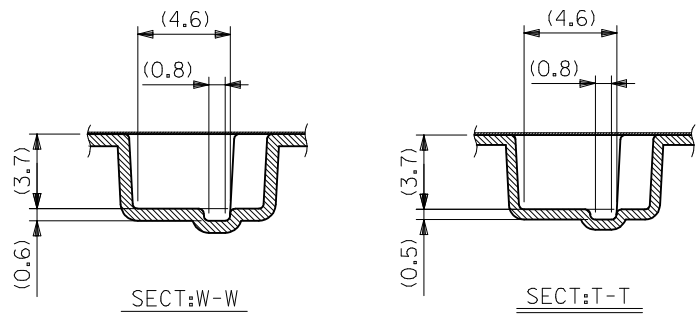
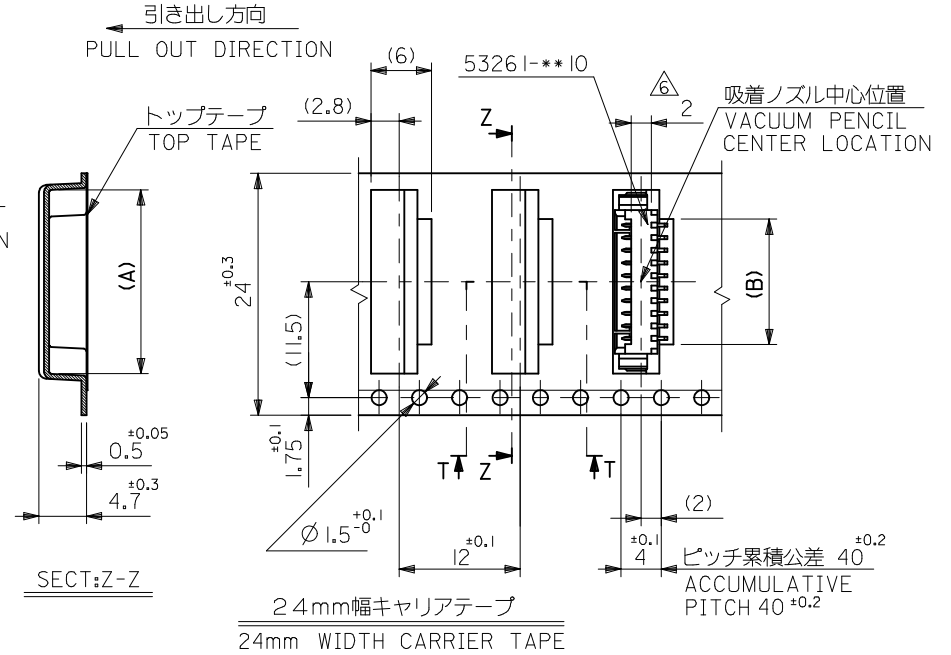
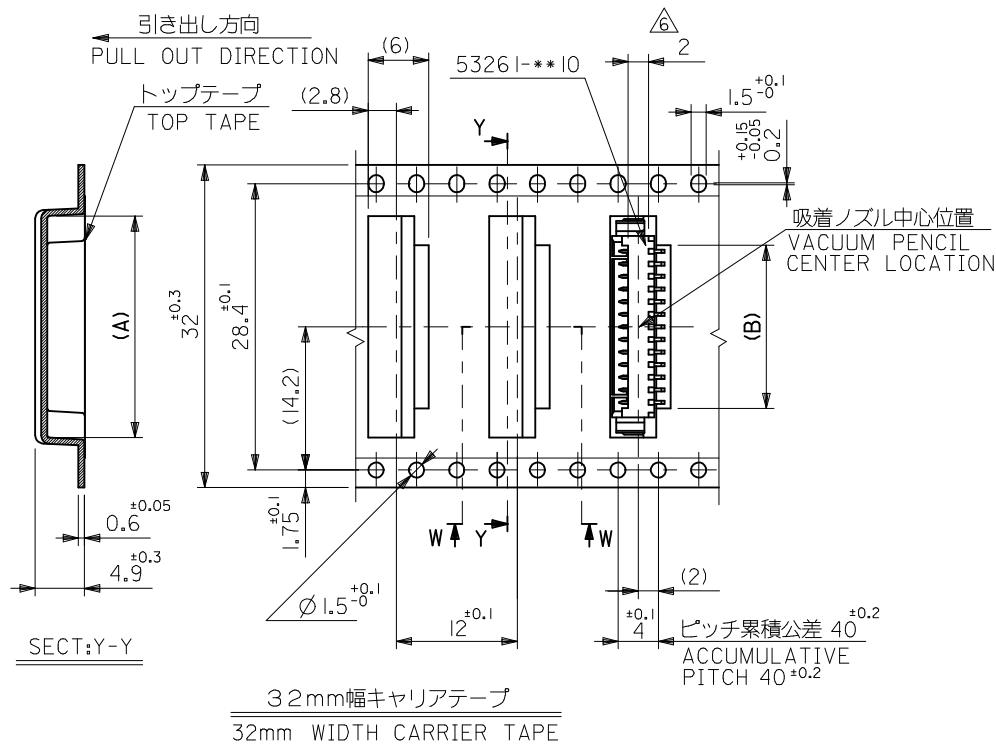
16mm幅キャリアテープ
16mm WIDTH CARRIER TAPE



SECT:V-V

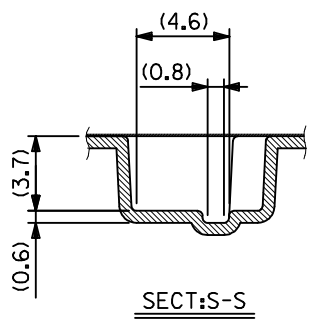
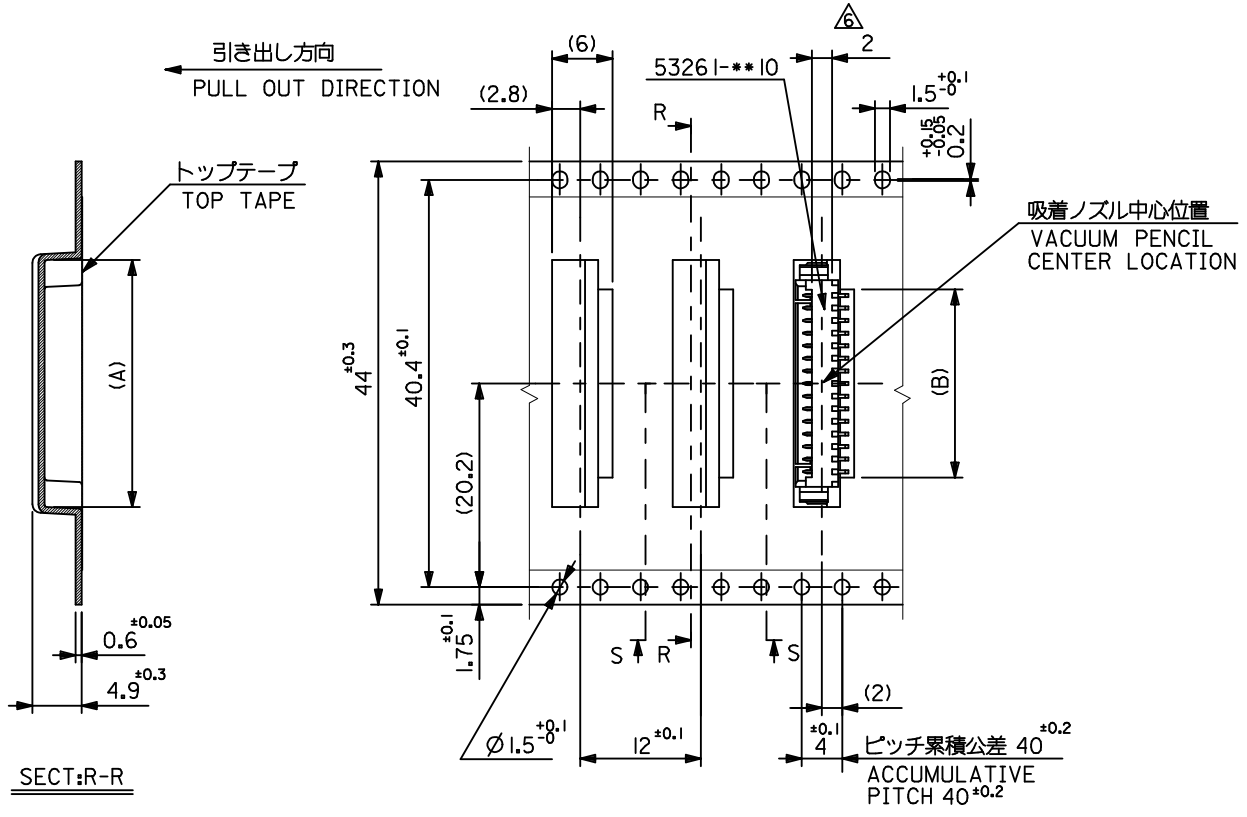
16	16.4	3.7	9.5	53261-0390	3
		2.45	8.25	53261-0290	2
キャリアテープ幅 CARRIER TAPE WIDTH	C	B	A	ENG. NO.	極数 CKT.

REVISED EC NO: J2014-1616 DRWN: TYAJIMA01 2014/04/28 CHKD: KASAKAWA 2014/04/28 APPR: NUKITA 2014/04/30	GENERAL TOLERANCES (UNLESS SPECIFIED)		DIMENSION STYLE MM ONLY		SCALE ---	DESIGN UNITS METRIC	THIRD ANGLE PROJECTION
	10 UNDER	± ---	DRAWN BY TYAJIMA01	DATE 2014/04/28	TITLE 1.25 W/B CONN. WAFER ASSY FOR SMT. EMBOSSED TAPE PACKAGE		
	10 OVER 30 UNDER	± ---	CHECKED BY KASAKAWA	DATE 2014/04/28			
	30 OVER	± ---	APPROVED BY	DATE			
ANGULAR ± --- °	DRAFT WHERE APPLICABLE MUST REMAIN WITHIN DIMENSIONS	MATERIAL NO. SEE NOTES	DOCUMENT NO. SD-53261-055	SHEET NO. 1 OF 3			
SIZE A3	THIS DRAWING CONTAINS INFORMATION THAT IS PROPRIETARY TO MOLEX INCORPORATED AND SHOULD NOT BE USED WITHOUT WRITTEN PERMISSION						



32	32.4	16.2	22	53261-1390	13
		14.95	20.75	-1290	12
24	24.4	13.7	19.5	-1190	11
		12.45	18.25	-1090	10
		11.2	17	-0990	9
		9.95	15.75	-0890	8
		8.7	14.5	-0790	7
		6.2	12	-0590	5
		4.95	10.75	53261-0490	4
キャリアテープ幅 CARRIER TAPE WIDTH	C	B	A	ENG. NO.	極数 CKT.

REVISED EC NO: J2014-1616 DRWN:TYAJIMA01 CHKD:KASAKAWA APPR:NUKITA	DESCRIPTION 2014/04/28 2014/04/28 2014/04/30	GENERAL TOLERANCES (UNLESS SPECIFIED)		DIMENSION STYLE MM ONLY		SCALE ---	DESIGN UNITS METRIC	THIRD ANGLE PROJECTION	
		10 UNDER	±---	DRAWN BY TYAJIMA01	DATE 2014/04/28	TITLE 1.25 W/B CONN. WAFER ASSY FOR SMT. EMBOSSED TAPE PACKAGE			
		10 OVER 30 UNDER	±---	CHECKED BY KASAKAWA	DATE 2014/04/28	molex			
		30 OVER	±---	APPROVED BY NUKITA	DATE 2014/04/30				
ANGULAR ±---°		DRAFT WHERE APPLICABLE MUST REMAIN WITHIN DIMENSIONS		MATERIAL NO. SEE NOTES		DOCUMENT NO. SD-53261-055		SHEET NO. 2 OF 3	
SIZE A3		THIS DRAWING CONTAINS INFORMATION THAT IS PROPRIETARY TO MOLEX INCORPORATED AND SHOULD NOT BE USED WITHOUT WRITTEN PERMISSION							



44mm幅キャリアテープ
44mm WIDTH CARRIER TAPE

44	44.4	18.7	24.5	53261-I590	15
		17.45	23.25	53261-I490	14
キャリアテープ幅 CARRIER TAPE WIDTH	C	B	A	ENG. NO.	種数 CKT.

REVISED EC NO: J2014-1616 DRWN: TYAJIMA01 CHKD: KASAKAWA APPR: NUKITA	DESCRIPTION 2014/04/28 2014/04/28 2014/04/30	GENERAL TOLERANCES (UNLESS SPECIFIED)		DIMENSION STYLE MM ONLY		SCALE ---	DESIGN UNITS METRIC	THIRD ANGLE PROJECTION	
		10 UNDER	± ---	DRAWN BY TYAJIMA01	DATE 2014/04/28	TITLE 1.25 W/B CONN. WAFER ASSY FOR SMT. EMBOSSED TAPE PACKAGE			
		10 OVER 30 UNDER	± ---	CHECKED BY KASAKAWA	DATE 2014/04/28				
		30 OVER	± ---	APPROVED BY NUKITA	DATE 2014/04/30				
ANGULAR	± --- °	DRAFT WHERE APPLICABLE MUST REMAIN WITHIN DIMENSIONS		MATERIAL NO. SEE NOTES		DOCUMENT NO. SD-53261-055		SHEET NO. 3 OF 3	