

4

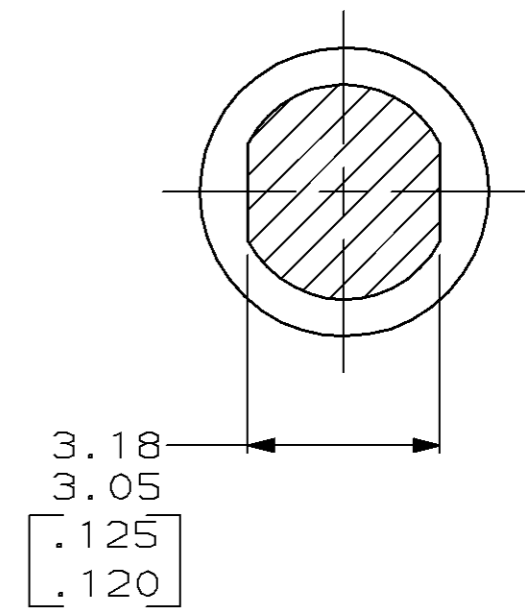
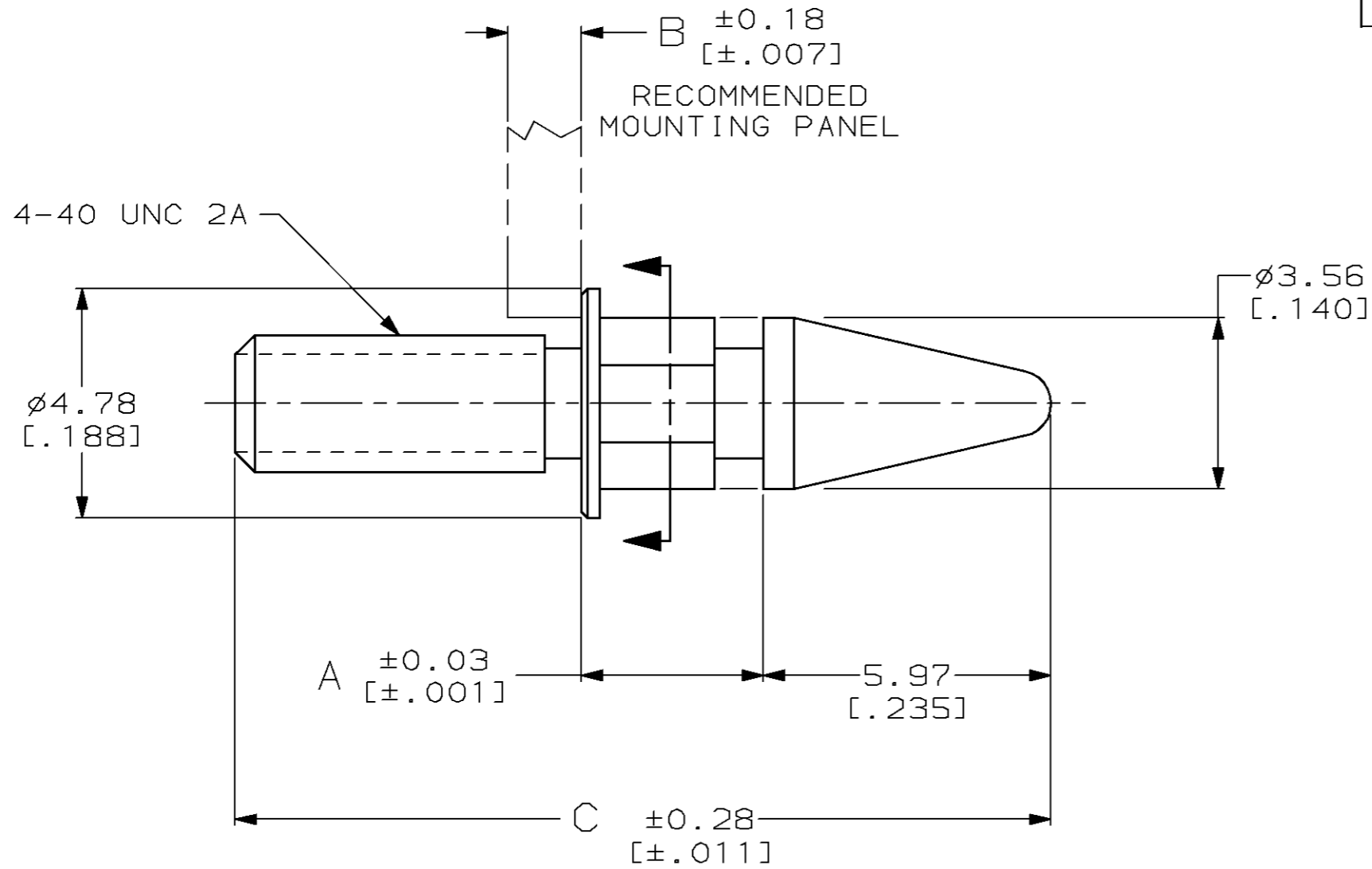
3

2

1

THIS DRAWING IS UNPUBLISHED. RELEASED FOR PUBLICATION, 19 .  
© COPYRIGHT 19 BY AMP INCORPORATED. ALL RIGHTS RESERVED.

| LOC | DIST | REVISIONS                      |           |     |      |
|-----|------|--------------------------------|-----------|-----|------|
| P   | LTR  | DESCRIPTION                    | DATE      | DWN | APVD |
| BD  | 48   |                                |           |     |      |
|     | 0    | RLSE PER NPR 57 WAS 97-5980-17 | 18 SEP 97 | -   | -    |
|     | A    | ADDED -3 PER EC 0320-380-97    | 31 OCT 97 | WGL | DM   |
|     | B    | REV PER EC 0640-321-98         | 28 AUG 98 | MB  | JO   |



|                 |                |                |             |
|-----------------|----------------|----------------|-------------|
| 16.56<br>[.652] | 1.91<br>[.075] | 3.40<br>[.134] | 788193-3    |
| 16.94<br>[.667] | 1.52<br>[.060] | 3.78<br>[.149] | 788193-1    |
| C               | B              | A              | PART NUMBER |

|  |                      |                              |   |                         |                    |       |    |       |              |       |    |       |    |        |
|--|----------------------|------------------------------|---|-------------------------|--------------------|-------|----|-------|--------------|-------|----|-------|----|--------|
| THIS DRAWING IS A CONTROLLED DOCUMENT.   |                      | DWN<br>B. CARBO<br>18 SEP 97 | <b>AMP</b> AMP Incorporated<br>Harrisburg, PA 17105-3608    |                         |                    |       |    |       |              |       |    |       |    |        |
| DIMENSIONS:<br>mm [INCHES]   |                      | CHK<br>R. STONE<br>18 SEP 97 |   |                         |                    |       |    |       |              |       |    |       |    |        |
| TOLERANCES UNLESS OTHERWISE SPECIFIED:   |                      | APVD<br>V. KANE<br>18 SEP 97 | NAME<br>POST, REAR MOUNTING,<br>LOCKING, IFE,<br>AMPLIMITE™ |                         |                    |       |    |       |              |       |    |       |    |        |
| <table border="0"> <tr><td>0 PLC</td><td>±-</td></tr> <tr><td>1 PLC</td><td>±-</td></tr> <tr><td>2 PLC</td><td>±0.13 [.005]</td></tr> <tr><td>3 PLC</td><td>±-</td></tr> <tr><td>4 PLC</td><td>±-</td></tr> <tr><td>ANGLES</td><td>±-</td></tr> </table> |                      | 0 PLC                        |   |                         | ±-                 | 1 PLC | ±- | 2 PLC | ±0.13 [.005] | 3 PLC | ±- | 4 PLC | ±- | ANGLES |
| 0 PLC  | ±-                   |                              |   |                         |                    |       |    |       |              |       |    |       |    |        |
| 1 PLC  | ±-                   |                              |   |                         |                    |       |    |       |              |       |    |       |    |        |
| 2 PLC  | ±0.13 [.005]         |                              |   |                         |                    |       |    |       |              |       |    |       |    |        |
| 3 PLC  | ±-                   |                              |   |                         |                    |       |    |       |              |       |    |       |    |        |
| 4 PLC  | ±-                   |                              |   |                         |                    |       |    |       |              |       |    |       |    |        |
| ANGLES   | ±-                   |                              |   |                         |                    |       |    |       |              |       |    |       |    |        |
| MATERIAL<br>STAINLESS STEEL  | FINISH<br>PASSIVATED | APPLICATION SPEC<br>-        | SIZE<br>A3 00779  | DRAWING NO<br>C- 788193 | RESTRICTED TO<br>- |       |    |       |              |       |    |       |    |        |
| CUSTOMER DRAWING   |                      |                              | SCALE<br>8:1  | SHEET<br>1 OF 1         | REV<br>B           |       |    |       |              |       |    |       |    |        |