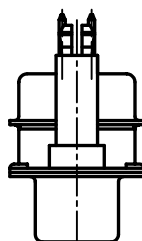
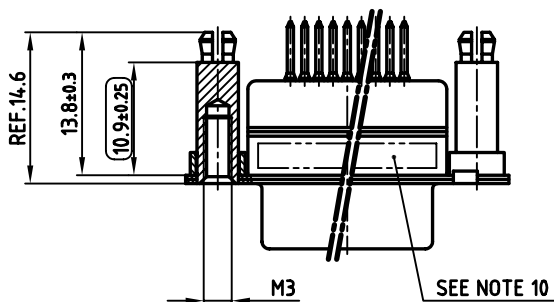
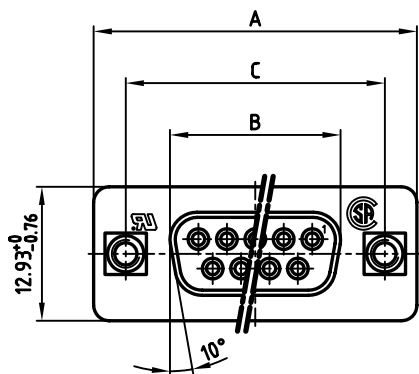
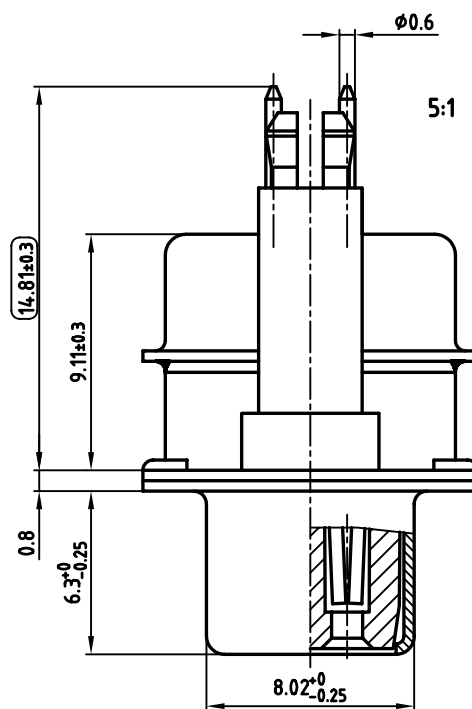


used for: D-SUB π FILTER

| No. of pos. | A -0.76 | B -0.25 | C | Part No. |
|-------------|-----------|-----------|-----------------------------|-------------------|
| 9 | 31.19 | 16.46 | 25.00 $^{+0.12}$ -0.13 | 242A26540X |
| 15 | 39.52 | 24.79 | 33.30 $^{+0.15}$ -0.1 | 242A26550X |
| 25 | 53.42 | 38.50 | 47.04 ± 0.13 | 242A26560X |
| 37 | 69.70 | 54.96 | 63.50 ± 0.13 | 242A26570X |



NOTES:

- METALSHELLS: STEEL; min. 320 μ " TIN
- INSULATORS: PBT GF UL 94 V-0, BLACK
- CONTACTS: COPPER ALLOY
PLATING: 8 μ " HARD GOLD OVER min. 50 μ " NICKEL
- THREADED SPACER CLIP: COPPER ALLOY; min. 200 μ " TIN over 80 μ " NICKEL
PCB-HOLE: $\phi 3.1 \pm 0.1$; PCB THICKNESS 1.6mm
- COLLAR: COPPER ALLOY; min. 200 μ " TIN over 80 μ " NICKEL
- P.C.B. HOLE DRILLINGS ON DRAWING NO.: 16K111UA
- CAPACITANCE: 2 x 1300pF $\pm 20\%$
- DIELECTRIC WITHSTANDING VOLTAGE: 300V DC
- MAXIMUM TORQUE VALUE FOR THREAD: 6" LBS
- CONNECTOR IS PART MARKED: PART-NO. CONEC Y/WW
- = CRITICAL DIMENSION

| | |
|---|--------|
| APPROVAL * FREIGABE * DEBLOCAGE * AUTORIZACION * APPROVAL | |
| CUSTOMER APPROVAL DATE: | |
| NAME: | TITLE: |
| COMPANY NAME: | |
| APPROVAL * FREIGABE * DEBLOCAGE * AUTORIZACION * APPROVAL | |

THIS DRAWING MAY NOT BE COPIED OR REPRODUCED IN ANY WAY, AND MAY NOT BE PASSED ON TO A THIRD PARTY, WITHOUT WRITTEN PERMISSION. OWNERSHIP AND COPYRIGHT OF CONEC GmbH DO NOT ALTER CAD DRAWING BY HAND

| rev. | description | date | name |
|------|-------------|------|------|
| | | | |
| | | | |
| | | | |
| | | | |
| | | | |
| | | | |
| | | | |
| | | | |
| | | | |

| | |
|--------------|---------------------|
| tolerance | dim. in mm |
| 2003 | date |
| drawn | 25.06. Lehmenkühler |
| appd. | 25.06. Mickenbecker |
| norm | DIN 41652 |
| d-old | |
| CONEC | |

| | |
|-----------|--|
| scale: | 2:1 (5:1) |
| material: | SEE NOTES |
| title: | D-SUB π FILTER FEMALE 9-37pos. SOLDER PIN STRAIGHT with threaded spacer clip |
| dwg no: | AutoCAD 2000 |
| part no: | 24K1A403 |
| SEE TABLE | DIN-A 3 sh: 1/1 |