

MATERIAL NO.	ENGINEERING NO.	FINISHED LENGTH
1300640304	CC4030A70M040	4M (13 FT 1.48 IN)
1300640432	CC4030A70M200G	20M (65 FT 7.4 IN)
1300640433	CC4030A70M400G	40M (131 FT 2.8 IN)

CABLE LENGTH TOLERANCES

<.3M [1FT]: +19mm-0 [+.75in-0]

.3 - .9M [1 - 3FT]: +44.5mm-0 [+1.75in-0]

.9 - 1.8M [3 - 6FT]: +55.6mm-0 [+2.19in-0]

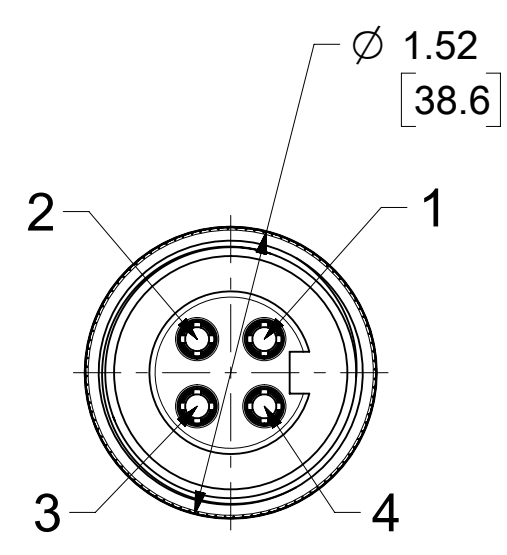
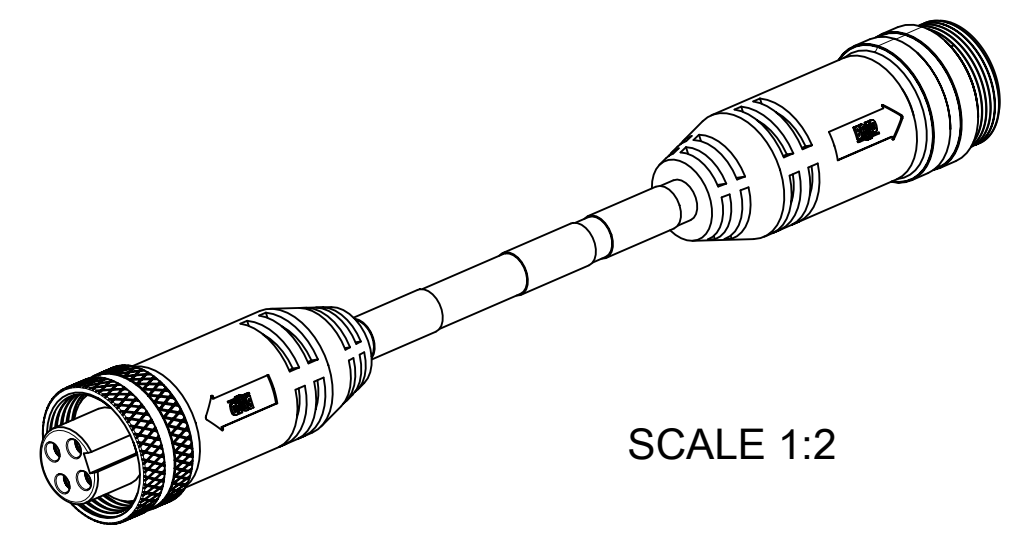
1.8 - 3.7M [6 - 12FT]: +88.9mm-0 [+3.50in-0]

3.7 - 7.3M [12 - 24FT]: +165.1mm-0 [+6.50in-0]

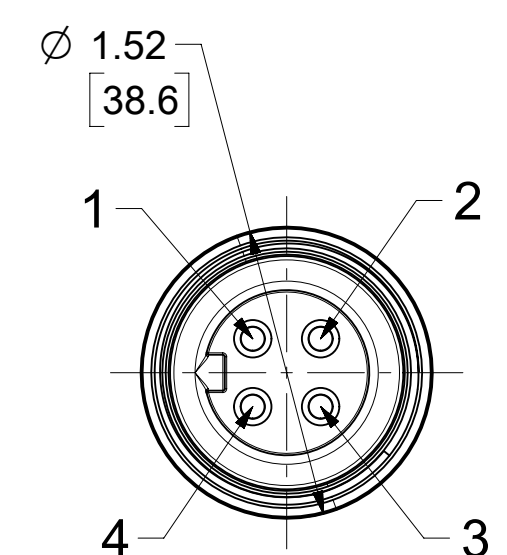
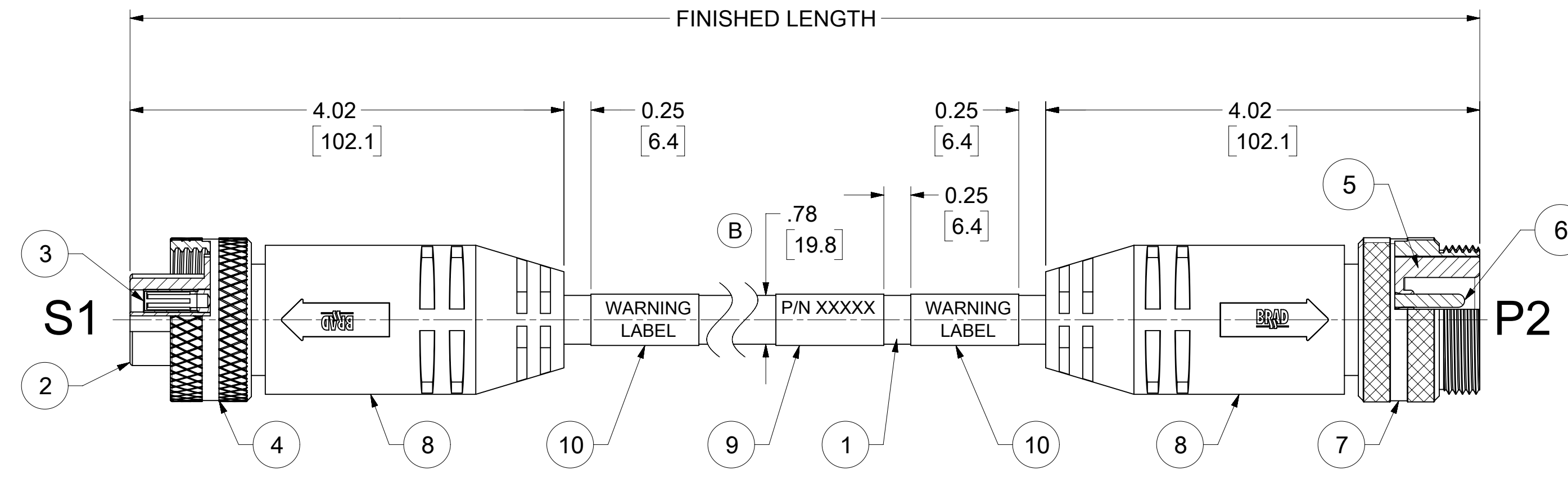
7.3-14.6M [24 - 48FT]: +317.5mm-0 [+12.50in-0]

14.6 - 30.5M [48-100FT]: +622.3mm-0 [+24.50in-0]

OVER 30M [100FT] +2% OF FINISHED LENGTH



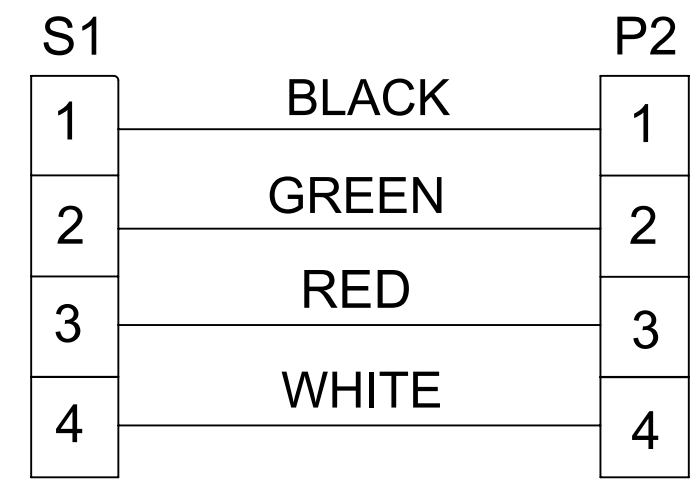
FEMALE FACE VIEW



MALE FACE VIEW

- NOTES:**
1. MATERIAL: AS NOTED
 2. FINISH: AS NOTED
 3. ELECTRICAL:
VOLTAGE: 500V PER IEC60664
600V PER UL2237
 4. TEMP RATING: -20°C TO +105°C
 5. PROTECTION: IP67 (WHEN MATED)
 6. UL LISTED FILE: 258922
 7. COUPLING THREAD : 1 3/8"-16 UN
 8. ALL DIMS ARE FOR REFERENCE UNLESS TOLERANCED OR NOTED OTHERWISE

WIRING DIAGRAM



PART NUMBER LEGEND

CC4030A70M010G

FINISHED LENGTH
M005 = 0.5 METER
M010 = 1.0 METER
M100 = 10 METERS

OVERMOLD COLOR:
BLANK = GRAY
G = BLACK

ITEM	DESCRIPTION	MATERIAL	FINISH
10	WARNING LABEL	VINYL	ORANGE/BLACK
9	WRAP LABEL	VINYL	BLACK/YELLOW
8	OVERMOLDS	TPE	GRAY
7	MALE COUPLING NUT	ALUMINIUM	CLEAR ANODIZE
6	PIN CONTACT	Cu ALLOY	GOLD OVER NICKEL
5	MALE INSERT	TPE	BLACK
4	FEMALE COUPLING NUT	ALUMINIUM	CLEAR ANODIZE
3	SOCKET CONTACT	Cu ALLOY	GOLD OVER NICKEL
2	FEMALE INSERT	TPE	BLACK
1	CABLE, #10-4 AWG, STOOV	PVC JACKET	GRAY/BLACK STRIPE

FUNCTIONAL SYMBOLS	THIS DRAWING CONTAINS INFORMATION THAT IS PROPRIETARY TO MOLEX ELECTRONIC TECHNOLOGIES, LLC AND SHOULD NOT BE USED WITHOUT WRITTEN PERMISSION		CURRENT REV DESC: UPDATED ITEM #2,5,8 WERE PVC & MATERIAL P/N TABLE. ADDED UL, IEC VOLT, TEMP RATING, IP RATING, TOL. CHART AND CABLE DIA.	
	DIMENSION UNITS	SCALE	EC NO: 701162	
$\frac{F}{A} = 0$	INCH	1:1	DRWN: AKABADI	2021/06/30
$\frac{F}{C} = 0$	GENERAL TOLERANCES (UNLESS SPECIFIED)		CHK'D: RSTONE	2022/03/30
$\frac{F}{P} = 0$			APPR: BWOODMAN	2022/04/08
DIVISIONAL SYMBOLS			INITIAL REVISION:	
			DRWN: RSTONE	2017/01/04
			APPR: BWOODMAN	2017/01/18
			THIRD ANGLE PROJECTION	
			DRAWING	SERIES
			C-SIZE	130064
DOCUMENT STATUS		P1	RELEASE DATE	2022/04/08 14:05:55
DOCUMENT NUMBER		CUSTOMER		SHEET NUMBER
SD-130064-021		GENERAL MARKET		1 OF 1