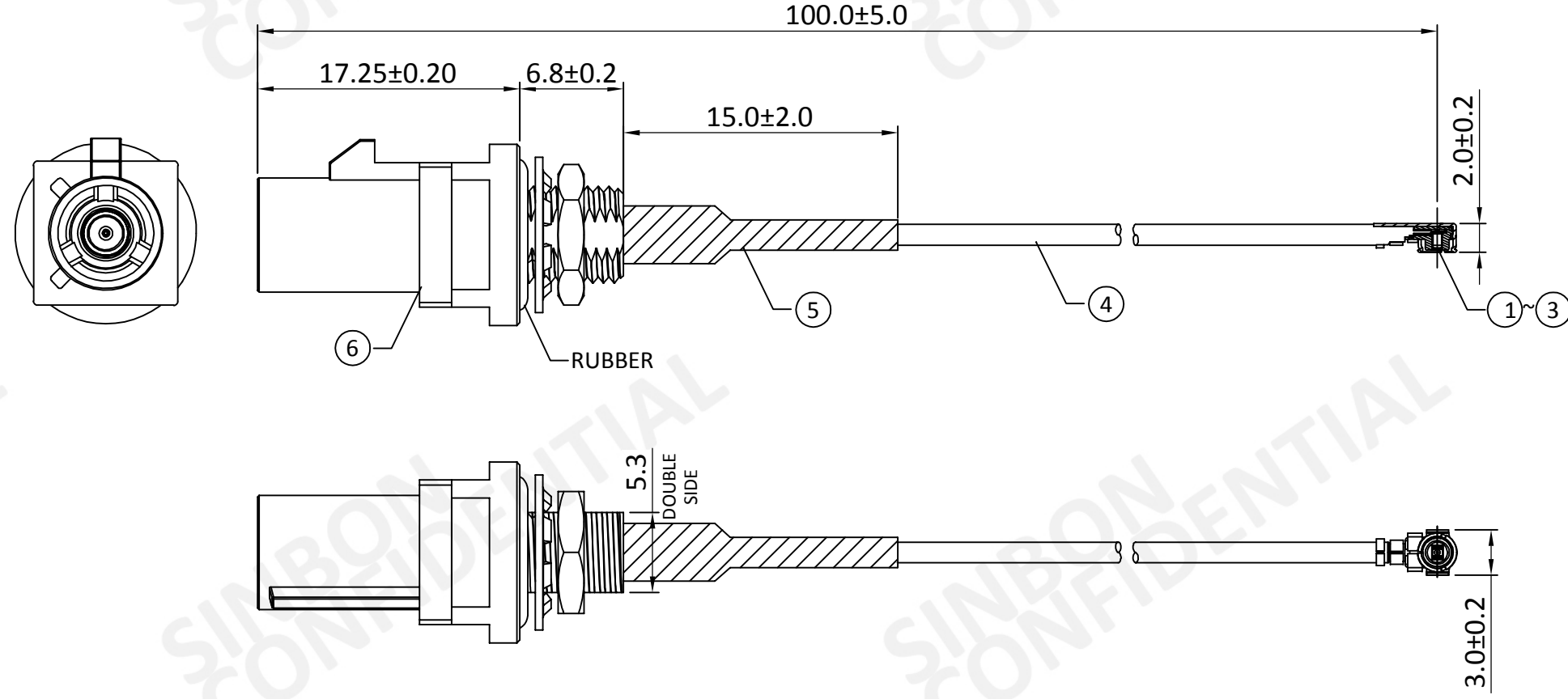


REV.	ECN NO.	DATE	BY	DESCRIPTION
01		Sep/03/2020	Aine Li	RELEASED



- NOTES:
- ELECTRICAL SPECIFICATION:
    - IMPEDANCE: 50Ω
    - FREQUENCY RANGE: 0~4GHZ
    - VSWR: 1.5 MAX.
    - INSERTION LOSS: 1dB MAX.
    - VOLTAGE RATING: 60VAC
    - DIELECTRIC WITHSTANDING VOLTAGE: 200V
    - INSULATION RESISTANCE: 100MΩ
    - CONTACT CENTER RESISTANCE: 100 mΩ
    - CONTACT OUTER RESISTANCE: 100 mΩ
  - MECHANICAL SPECIFICATION:
    - CENTER CONTACT RETENTION FORCE: 10N Min
    - CABLE RETENTION FORCE: 10N Min
    - FORCE TO DISENGAGE: 3N Min.(U .FL)
    - DURABILITY: 30 CYCLES(U .FL)  
100 CYCLES (FAKRA)
  - ENVIRONMENTAL CHARACTERISTICS
    - OPERATION TEMPERATURE: -40°C~+85°C
  - RoHS COMPLIANCE.

ITEM	QTY	DESCRIPTION
6.	1	FAKRA MALE, TYPE D
5.	A/R	H.S. TUBE, BLACK
4.	1	CABLE 1.37, BLACK JACK, COPPER, TIN PLATED
3.	1	CONTACT, COPPER ALLOY, AU PLATED OVER NICKEL
2.	1	HSG, HIGHT TEMP, PLASTIC, UL94V-0, BLACK
1.	1	SHELL, COPPER ALLOY, AU PLATED OVER NICKEL

THIS DRAWING CONTAINS CONFIDENTIAL INFORMATION AND IS THE PROPERTY OF SINBON ELECTRONICS CO., LTD. IT MAY NOT BE USED OR ITS CONTENTS COPIED OR DISCLOSED TO A THIRD PARTY WITHOUT PRIOR WRITTEN CONSENT AND IS TO BE RETURNED PROMPTLY UPON REQUEST BY SINBON ELECTRONICS CO., LTD.

CUSTOMER : <b>DigiKey</b>		REV. : N/A		 SINBON Electronics Co., Ltd.	
CUSTOMER P/N : N/A		DRA. : Sep/03/2020 Aine Li			
UNLESS OTHERWISE SPECIFIED TOLERANCE :		CHK. : Sep/03/2020 Kevin Qiu		DESCRIPTION : ECT to Fakra Code D, 1.37mm, 100mm	
1 ~ 10 : ±1		APR. : Sep/03/2020 Kevin Qiu		PART NUMBER : U.FLP-FakraDP-88100	
11 ~ 30 : ±2				REV. : 01	
31 ~ 50 : ±3				SIZE : A3	
51 ~ 200 : ±5				UNIT : mm	
201 ~ 400 : ±7				SCALE : NONE	
> 401 : ±10				SHEET : 1 of 1	
ANGLES : ±1°					