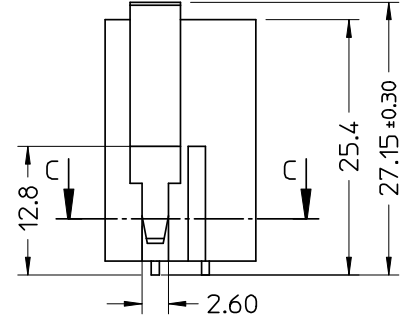
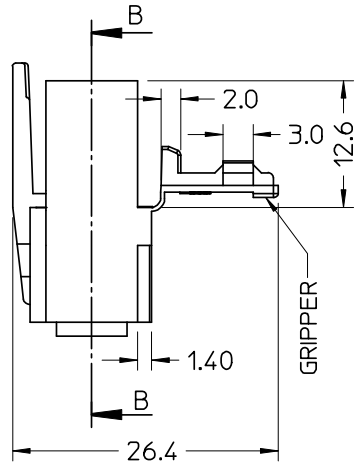
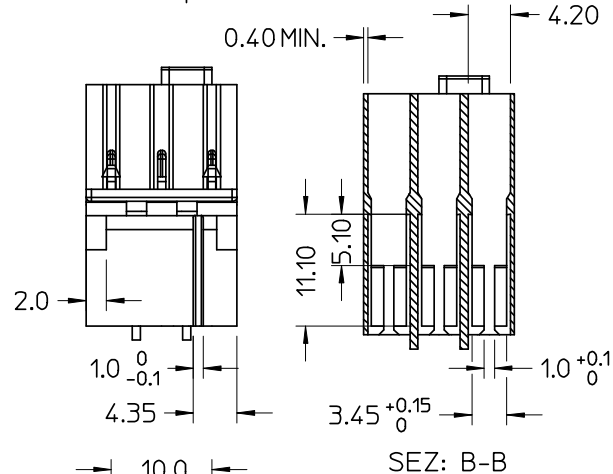


NOTE:
 - USATO CON TERMINALE 94518-0XXX E 94549-0XXX
 - SPECIFICA DI RIFERIMENTO PER IL CONNETTORE PS-94550-001
 - PER CARATTERISTICHE DI CRIMPATURA RIF. SD-94518-005 E SD-94549-001
 - FORZA DI DISACCOPIAMENTO CONNETTORE (TRAZIONANDO DAI CAVI SENZA AZIONARE L'AGGANCI): 40 N MIN.
 - SPESSORE MINIMO PARETI CONNETTORE 0.40 mm.

NOTE:
 - USED WITH TERMINALS 94518-0XXX AND 94549-0XXX
 - REFER TO PS-94550-001 FOR CONNECTOR SPECIFICATION
 - REFER TO SD-94518-005 AND SD-94549-001 FOR CRIMPING CHARACTERISTICS
 - CONNECTOR DISENGAGEMENT FORCE (PULLING BY THE WIRES, WITHOUT ACTUATING THE LATCH): 40 N MIN.
 - MINIMUM CONNECTOR WALL THICKNESS 0.40 mm.

P/N	MATERIAL/COLOR
94550-9103	NYLON 6.6 V0 NATURAL
94550-9193	NYLON 6.6 V0 GREY

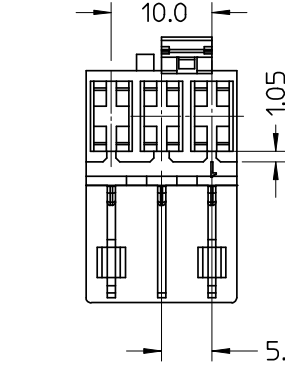
CONFEZIONE: Box da 2200 Pz.
 PACKAGING: 2200 pcs in carton box



AGENCY RECOGNIZATIONS
 CSA (file LR19980)
 UL (file E-29179)

SPQ =2200

Std. Descr: "HSG W/SEC LOCK AND LATCH 3CKT _____ COLOR"



EC NO: Z2004-0206 DRWN: FGOTTARD 2004/05/12 CHKD: RSANDAN 2004/05/12 APPR: GZUIN 2004/05/13	QUALITY SYMBOLS	GENERAL TOLERANCES (UNLESS SPECIFIED)		SCALE 2:1	DESIGN UNITS METRIC	FIRST ANGLE PROJECTION	REVISE ON CAD ONLY
	▲ = 0 ▽ = 0	mm	INCH	DIMENSION STYLE MM ONLY		TITLE	
		4 PLACES ± --- ± ---	3 PLACES ± --- ± ---	DRAWN BY DATE		HSG 3 CKT WITH SEC. LOCK AND EXTERNAL LATCH	
		2 PLACES ± 0.10 ± ---	1 PLACE ± 0.2 ± ---	FGOTTARD 2003/05/06			
ANGULAR ± 2°		DRAFT WHERE APPLICABLE MUST REMAIN WITHIN DIMENSIONS		CHECKED BY DATE	MOLEX MOLEX INCORPORATED		
APPROVED BY DATE		GZUIN 2003/05/06		MATERIAL NO. DOCUMENT NO.		SHEET NO.	
A1		REV		SEE TABLE SD-94550-011		1 OF 1	