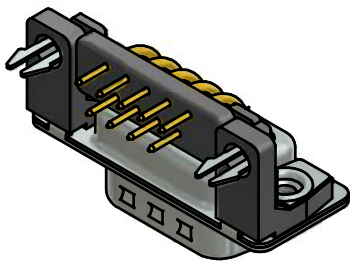
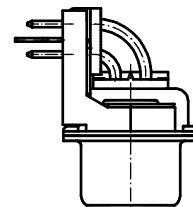
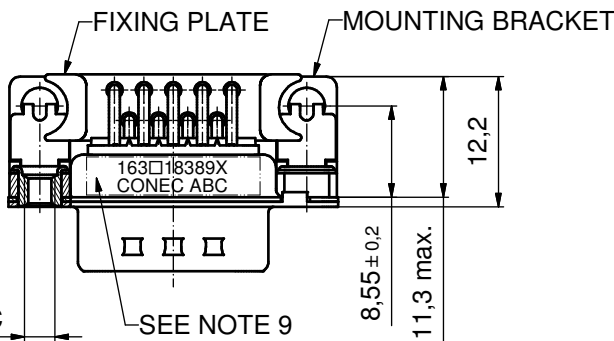
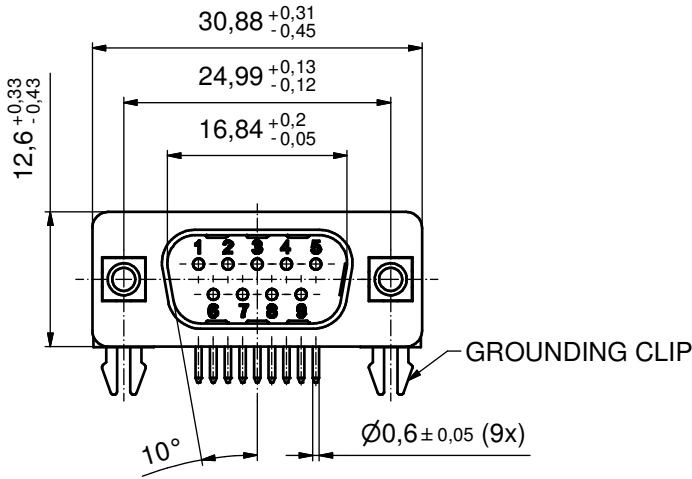
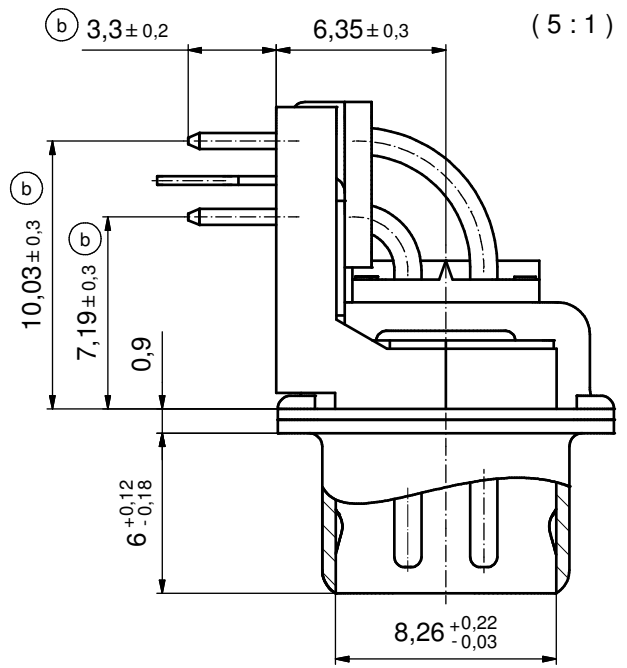


P.C.B. HOLE DRILLINGS  
(P.C.B. TOP SIDE)



**NOTES:**

1. METALSHELLS: STEEL; min. 315µm TIN over 40-80µm NICKEL
2. INSULATORS: PBT GF UL 94 V-0; BLACK
3. SIGNAL CONTACTS: COPPER ALLOY; PLATING (SEE PART NO.):
  - PLEASE ADD A for GOLD FLASH over NICKEL (PREFERRED TYPE)
  - PLEASE ADD B for 20µm HARD GOLD over min. 50µm NICKEL
  - PLEASE ADD C for 30µm HARD GOLD over min. 50µm NICKEL
4. MOUNTING BRACKETS: PBT GF UL 94 V-0; BLACK
5. THREADED INSERTS: COPPER ALLOY; min. 200µm TIN over 80µm NICKEL
6. GROUNDING-CLIPS: COPPER ALLOY; min. 200µm TIN over 80µm NICKEL  
PCB-HOLE: Ø3,1±0,1; PCB THICKNESS 1,6mm
7. FIXING-PLATE: PBT GF UL 94 V-0; BLACK
8. MAXIMUM TORQUE VALUE FOR THREAD: 6 in.LB
9. CONNECTOR IS PART MARKED: **163□18389X CONEC ABC** (see note 3)

Directive 2002/95/EC RoHS compliant

THIS DRAWING MAY NOT BE COPIED OR REPRODUCED IN ANY WAY, AND MAY NOT BE PASSED ON TO A THIRD PARTY WITHOUT WRITTEN PERMISSION. OWNERSHIP AND COPYRIGHT OF CONEC GmbH

DO NOT ALTER CAD DRAWING BY HAND

				tolerance ISO 2768-m		scale: 2:1 (5:1)
				date	name	material: SEE NOTES
				drawn	08.07.08 Sonnenberg	title: <b>D-SUB MALE 90°</b> 9pos. SOLDER PIN ANGLED 0,318inch with threaded insert, mounting bracket, grounding clip
				appd.	08.07.08 Kühle	
				norm		
				d-old		
6 x b	A4950	09.10.2013	K.H.	<b>CONEC</b> <sup>®</sup>		dwg no: <b>16K1A2335</b>
a	Original					DIN-A3 sh: 1
rev.	description	date	name	part no: <b>163□18389X</b> (see note 3)		

title: <b>D-SUB MALE 90°</b> 9pos. SOLDER PIN ANGLED 0,318inch with threaded insert, mounting bracket, grounding clip	
dwg no: <b>16K1A2335</b>	DIN-A3 sh: 1
part no: <b>163□18389X</b> (see note 3)	