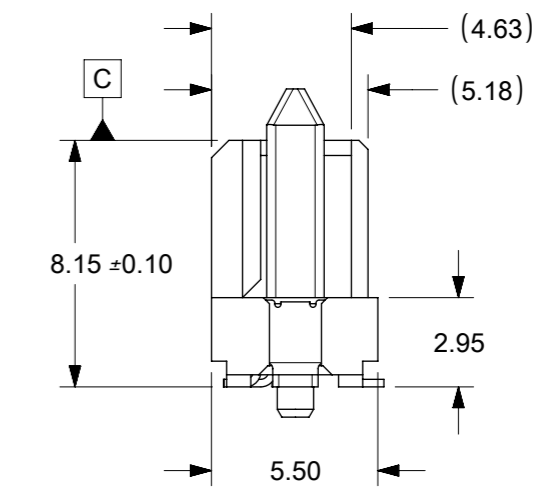
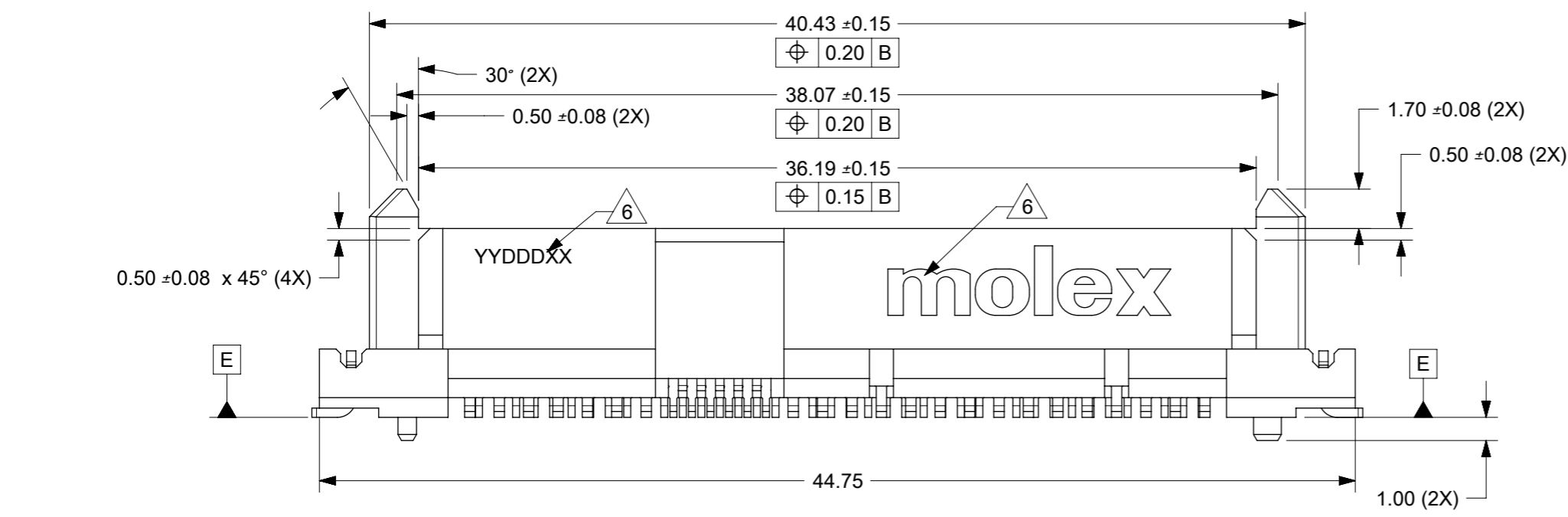


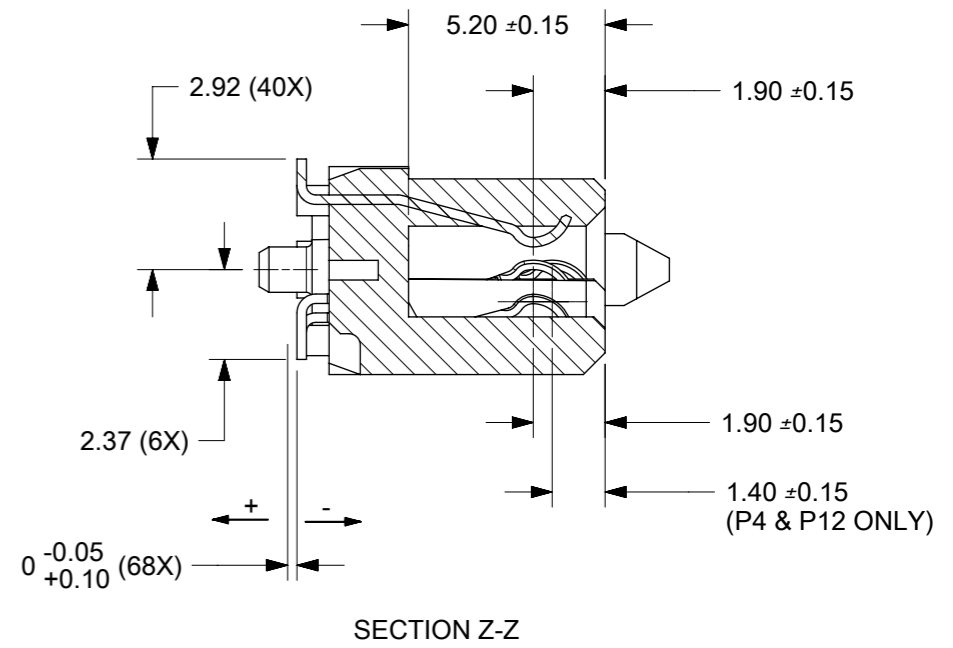
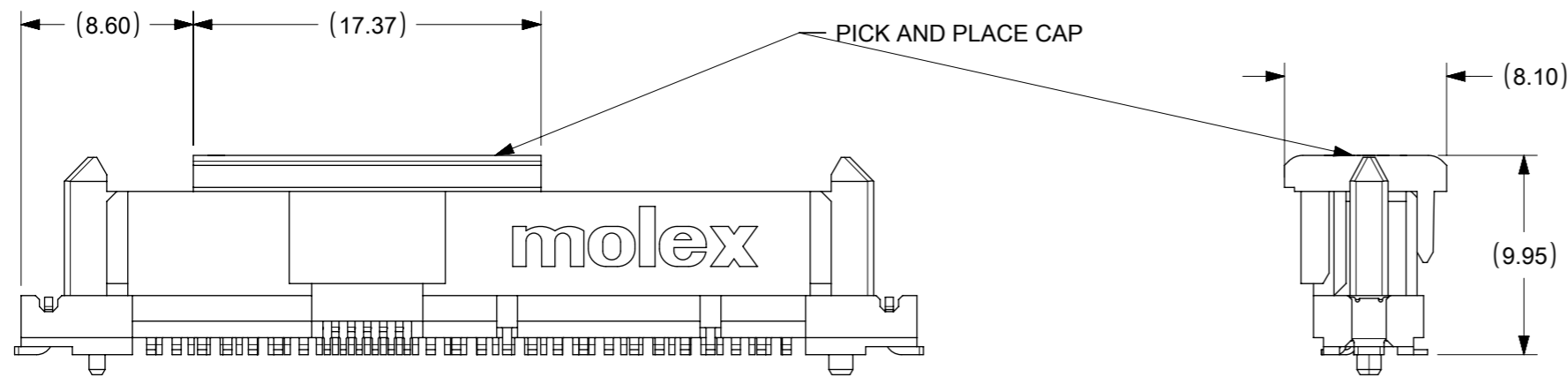
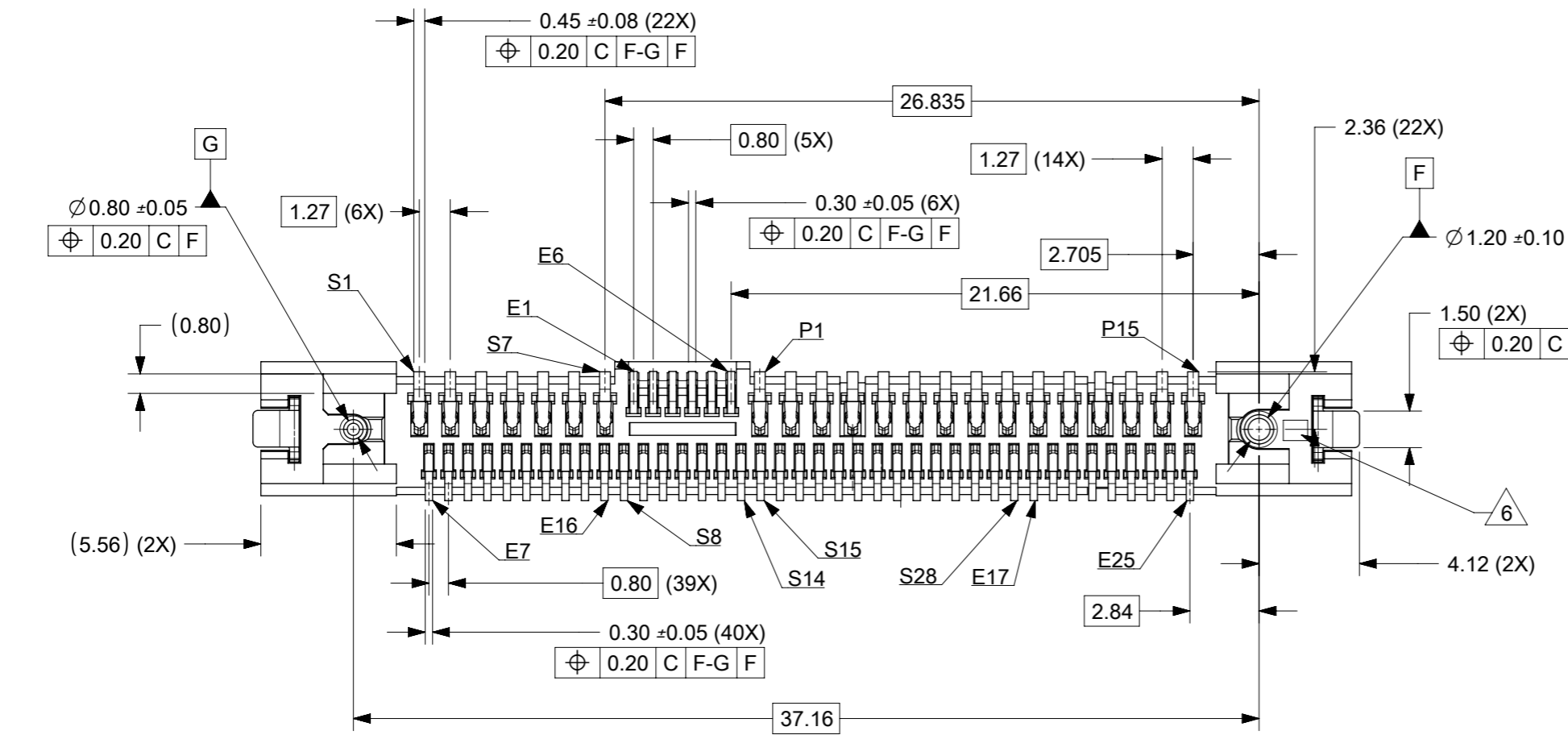
- NOTES:
- MATERIALS:
HOUSING: LCP, GLASS FILLED, UL94V-0, COLOR: BLACK
TERMINALS & SMT CLIP: COPPER ALLOY
 - FINISHES:
TERMINALS:
0.76µM MIN GOLD ON CONTACTS OVER 1.27µM MIN NICKEL UNDERPLATE.
2.54µM MIN MATTE TIN ON SOLDER TAIL
OVER 1.27µM MIN NICKEL UNDERPLATE.
SMT CLIP:
2.54µM MIN MATTE TIN OVER 1.27µM MIN NICKEL UNDERPLATE
 - PRODUCT SPECIFICATION: PS-78777-001
 - PACKAGING SPECIFICATION: PK-78777-001
 - NON FUNCTIONAL CORING TO VARIES.
 - MOLEX LOGO, DATE CODE AND CAVITY ID TO BE LOCATED APPROXIMATELY AS SHOWN.
 - PRODUCT IS COMPLIANT TO RoHS DIRECTIVE WITH THE FOLLOWING BANNED SUBSTANCES - LEAD, MERCURY, CADMIUM, HEXAVALENT CHROMIUM, POLYBROMINATED BIPHENYLS AND POLYBROMINATED DIPHENYL ETHERS.



6
YYDDDX
YEAR
DAYS

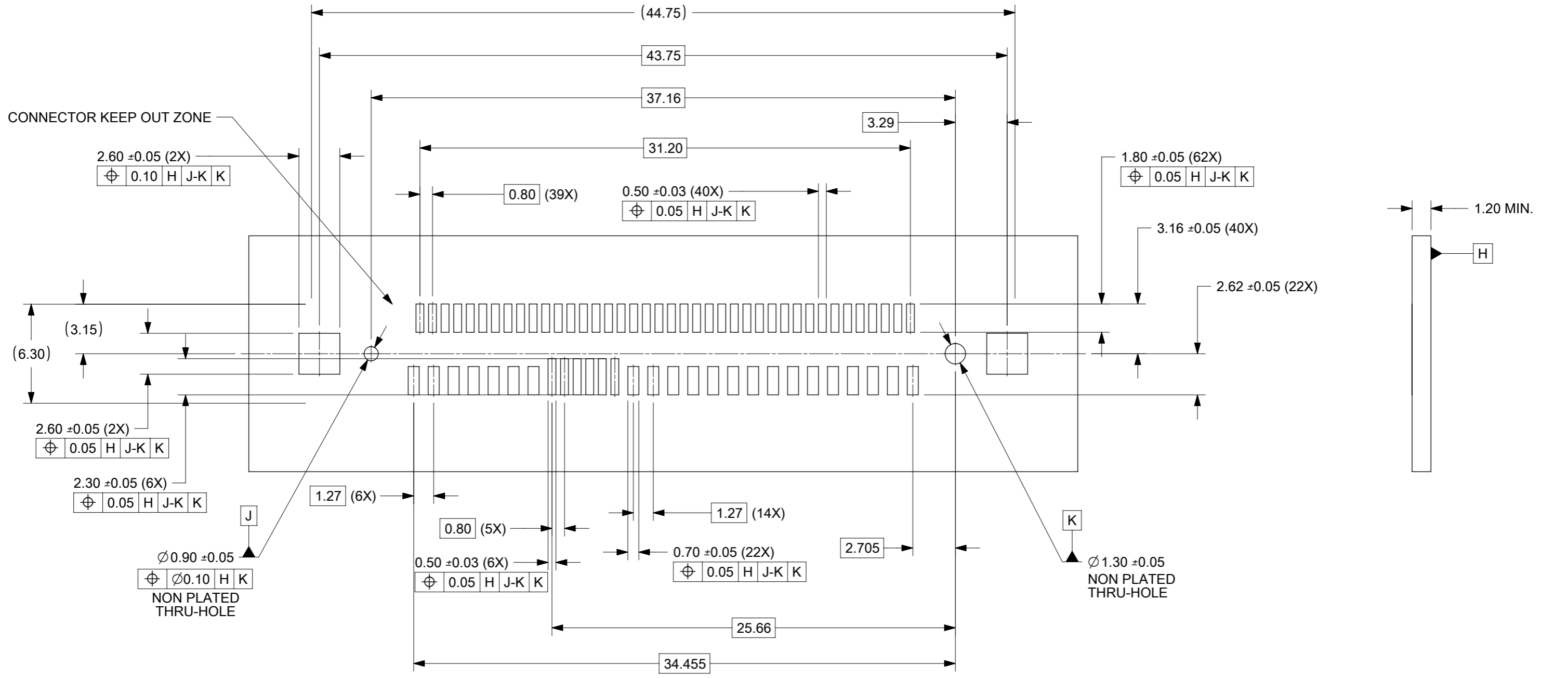
ASSEMBLY LINE CODE
1#-EXISTING LINE
2#-NEW LINE

THIS DRAWING CONTAINS INFORMATION THAT IS PROPRIETARY TO MOLEX ELECTRONIC TECHNOLOGIES, LLC AND SHOULD NOT BE USED WITHOUT WRITTEN PERMISSION									
DIMENSION UNITS	SCALE	CURRENT REV DESC: CORRECT DIMENSION TYPO @SHT1-C3							
mm	NTS								
GENERAL TOLERANCES (UNLESS SPECIFIED)									
ANGULAR TOL	± 3.0°	SAS / PCIE STD HEIGHT BACKPLANE SMT RECEPTACLE							
4 PLACES	±	PRODUCT CUSTOMER DRAWING							
3 PLACES	±	DOCUMENT NUMBER							
2 PLACES	± 0.2	SD-78777-201							
1 PLACE	±	DOC TYPE DOC PART REVISION							
0 PLACES	±	PSD 000 B1							
DRAFT WHERE APPLICABLE MUST REMAIN WITHIN DIMENSIONS	THIRD ANGLE PROJECTION	DRAWING	SERIES	MATERIAL NUMBER	CUSTOMER	SHEET NUMBER			
		A3-SIZE	78777	78777-5000	GENERAL MARKET	1 OF 3			

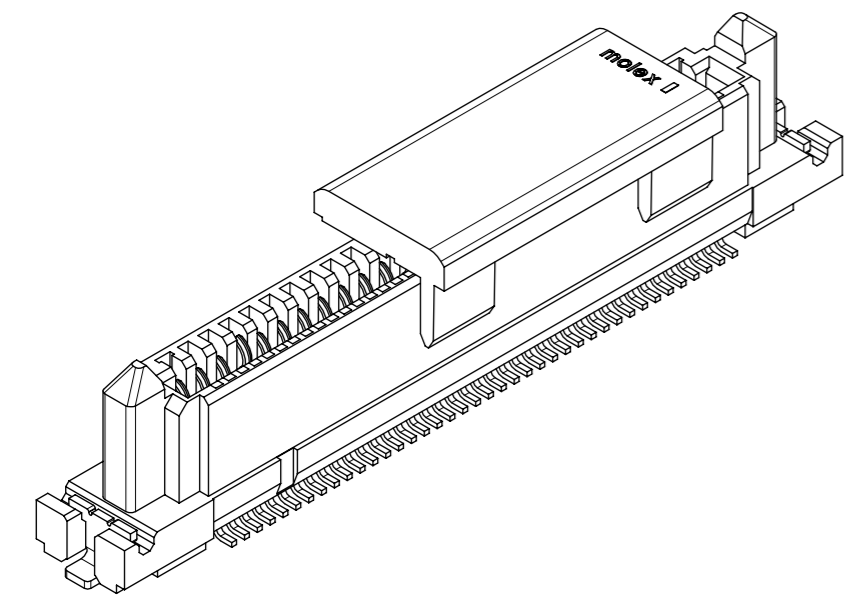


THIS DRAWING CONTAINS INFORMATION THAT IS PROPRIETARY TO MOLEX ELECTRONIC TECHNOLOGIES, LLC AND SHOULD NOT BE USED WITHOUT WRITTEN PERMISSION												
DIMENSION UNITS	SCALE	CURRENT REV DESC: CORRECT DIMENSION TYPO @SHT1-C3										
mm	NTS	<p>SAS / PCIE STD HEIGHT BACKPLANE SMT RECEPTACLE</p>										
GENERAL TOLERANCES (UNLESS SPECIFIED)												
ANGULAR TOL	± 3.0 °	PRODUCT CUSTOMER DRAWING										
4 PLACES	±	EC NO: 638141	DRWN: MMALLIGEVALU	2020/05/19	DOCUMENT NUMBER					DOC TYPE	DOC PART	REVISION
3 PLACES	±	CHK'D: CWANG25	APPR: SHONG	2020/05/27	SD-78777-201					PSD	000	B1
2 PLACES	± 0.2	INITIAL REVISION:		2016/10/01	MATERIAL NUMBER					CUSTOMER		
1 PLACE	±	DRWN: NSRIVATSAHS		2018/06/20	78777-5000					GENERAL MARKET		
0 PLACES	±	APPR: SHONG			SHEET NUMBER					2 OF 3		
DRAFT WHERE APPLICABLE MUST REMAIN WITHIN DIMENSIONS		THIRD ANGLE PROJECTION	DRAWING	SERIES	CUSTOMER							
			A3-SIZE	78777	78777-5000							

CONNECTOR KEEP OUT ZONE



RECOMMENDED PCB LAYOUT (COMPONENT SIDE)



THIS DRAWING CONTAINS INFORMATION THAT IS PROPRIETARY TO MOLEX ELECTRONIC TECHNOLOGIES, LLC AND SHOULD NOT BE USED WITHOUT WRITTEN PERMISSION									
DIMENSION UNITS	SCALE	CURRENT REV DESC: CORRECT DIMENSION TYPO @SHT1-C3							
mm	NTS								
GENERAL TOLERANCES (UNLESS SPECIFIED)									
ANGULAR TOL	± 3.0°	SAS / PCIE STD HEIGHT BACKPLANE SMT RECEPTACLE							
4 PLACES	±	PRODUCT CUSTOMER DRAWING							
3 PLACES	±	EC NO: 638141	DRWN: MMALLIGEVALU	2020/05/19	DOCUMENT NUMBER: SD-78777-201 DOC TYPE: PSD DOC PART: 000 REVISION: B1				
2 PLACES	± 0.2	CHK'D: CWANG25	APPR: SHONG	2020/05/27					
1 PLACE	±	INITIAL REVISION:			MATERIAL NUMBER: 78777-5000 CUSTOMER: GENERAL MARKET SHEET NUMBER: 3 OF 3				
0 PLACES	±	DRWN: NSRIVATSAHS	2016/10/01	2018/06/20					
DRAFT WHERE APPLICABLE MUST REMAIN WITHIN DIMENSIONS		THIRD ANGLE PROJECTION	DRAWING	SERIES					
			A3-SIZE	78777					