

Tron[®] Rectifier Fuses



TRON[®] Rectifier Fuses are especially designed for the protection of semi-conductor rectifiers, SCR'S, Thyristors, solid state devices or any instance in which a very fast acting fuse is needed. They provide extremely fast opening on overload and fault currents, with a high degree of restriction of the let-thru current. If each diode is protected by a TRON rectifier fuse, the fuse will open very quickly when the short circuit current significantly exceeds the rating of the diode. Thus when a short-circuit occurs in a diode the fuse opens and takes that diode out of the circuit; other good diodes in the rectifier which might otherwise be damaged are not affected. For application data, see Bulletin TRFS and E60.

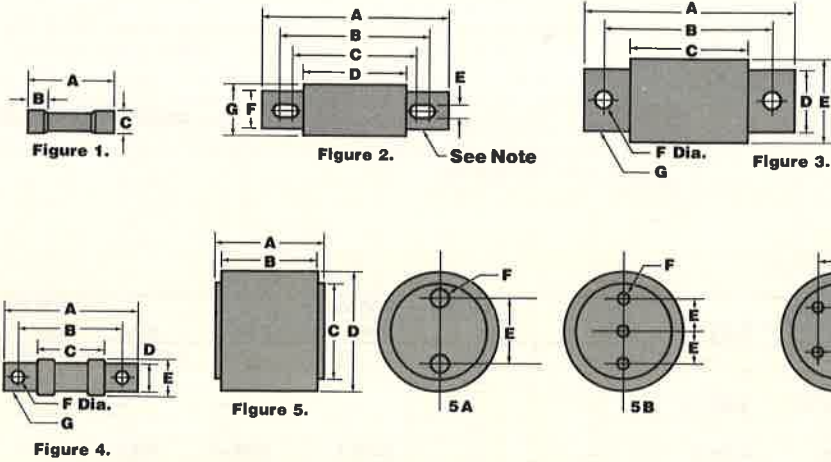
Ampere and Voltage Ratings—Rectifier Fuses

60 Volts	130 Volts			250 Volts			500 Volts	600 Volts		700 Volts	
GBB	AAA	KAW	KAH	KAB	KAX	KAG	KBH	KAC	KBC	KAJ	KBP
*GBB-1/4	—	—	—	—	—	—	—	—	—	—	—
*GBB-1/2	*KAA-1/2	—	—	KAB-1/2	KAX-1/2	—	—	—	—	—	—
*GBB-3/4	—	—	—	—	—	—	—	KAC-1	KBC-1	KAJ-1	—
*GBB-1	*KAA-1	KAW-1	—	KAB-1	KAX-1	—	—	—	—	—	—
*GBB-1 1/4	—	—	—	—	—	—	—	—	—	—	—
*GBB-1 1/2	*KAA-1 1/2	—	—	—	—	—	—	KAC-2	KBC-2	—	—
*GBB-2	*KAA-2	KAW-2	—	KAB-2	KAX-2	—	—	—	—	—	—
—	*KAA-2 1/2	—	—	—	—	—	—	KAC-3	KBC-3	—	—
*GBB-3	*KAA-3	KAW-3	—	KAB-3	KAX-3	—	—	KAC-4	KBC-4	—	—
*GBB-4	*KAA-4	KAW-4	—	KAB-4	KAX-4	—	—	KAC-5	KBC-5	—	—
*GBB-5	*KAA-5	KAW-5	—	KAB-5	KAX-5	—	—	KAC-6	KBC-6	—	—
*GBB-6	*KAA-6	KAW-6	—	KAB-6	KAX-6	—	—	KAC-7	KBC-7	—	—
*GBB-7	*KAA-7	KAW-7	—	KAB-7	KAX-7	—	—	KAC-8	KBC-8	—	—
*GBB-8	*KAA-8	KAW-8	—	KAB-8	KAX-8	—	—	KAC-9	—	—	—
*GBB-9	*KAA-9	KAW-9	—	KAB-9	KAX-9	—	—	KAC-10	KBC-10	KAJ-10	—
*GBB-10	*KAA-10	KAW-10	—	KAB-10	KAX-10	—	—	KAC-12	KBC-12	—	—
*GBB-12	*KAA-12	KAW-12	—	KAB-12	KAX-12	—	—	KAC-15	KBC-15	—	—
*GBB-15	*KAA-15	KAW-15	—	KAB-15	KAX-15	—	—	KAC-17 1/2	KBC-17 1/2	—	—
*GBB-17 1/2	—	—	—	KAB-17 1/2	KAX-17 1/2	—	—	KAC-20	KBC-20	—	—
*GBB-20	*KAA-20	KAW-20	—	KAB-20	KAX-20	—	—	*KAC-25	KBC-25	KAJ-25	KBP-25
*GBB-25	*KAA-25	KAW-25	—	KAB-25	KAX-25	—	—	*KAC-30	KBC-30	KAJ-30	KBP-30
*GBB-30	*KAA-30	KAW-30	—	KAB-30	KAX-30	—	—	*KAC-35	*KBC-35	KAJ-35	KBP-35
—	—	—	*KAH-35	*KAB-35	*KAX-35	—	*KBH-35	*KAC-40	*KBC-40	KAJ-40	KBP-40
—	—	—	*KAH-40	*KAB-40	*KAX-40	—	*KBH-40	*KAC-45	*KBC-45	KAJ-45	—
—	—	—	*KAH-45	*KAB-45	*KAX-45	—	*KBH-45	*KAC-50	*KBC-50	KAJ-50	KBP-50
—	—	—	*KAH-50	*KAB-50	*KAX-50	—	*KBH-50	*KAC-60	*KBC-60	KAJ-60	KBP-60
—	—	—	*KAH-60	*KAB-60	*KAX-60	—	*KBH-60	—	—	—	—
—	—	—	—	—	—	—	*KBH-65	—	—	—	—
—	—	—	—	*KAB-70	KAX-70	—	*KBH-70	*KAC-70	*KBC-70	—	KBP-70
—	*KAA-70	—	—	*KAB-80	KAX-80	—	*KBH-80	*KAC-80	*KBC-80	—	KBP-80
—	*KAA-80	—	—	*KAB-90	KAX-90	—	*KBH-90	*KAC-90	*KBC-90	—	KBP-90
—	*KAA-90	—	—	*KAB-100	KAX-100	—	*KBH-100	*KAC-100	*KBC-100	—	KBP-100
—	*KAA-100	—	—	—	—	—	*KBH-110	*KAC-110	*KBC-110	—	—
—	—	—	—	—	—	—	*KBH-125	*KAC-125	*KBC-125	—	KBP-125
—	*KAA-125	—	—	*KAB-125	KAX-125	—	—	—	—	—	—
—	*KAA-130	—	—	—	—	—	—	—	—	—	—
—	*KAA-150	—	—	*KAB-150	KAX-150	—	*KBH-150	*KAC-150	*KBC-150	—	KBP-150
—	*KAA-175	—	—	*KAB-175	KAX-175	—	*KBH-175	*KAC-175	*KBC-175	—	KBP-175
—	*KAA-200	—	—	*KAB-200	KAX-200	—	*KBH-200	*KAC-200	*KBC-200	—	KBP-200
—	*KAA-225	—	—	*KAB-225	*KAX-225	—	*KBH-225	*KAC-225	*KBC-225	—	KBP-225
—	*KAA-250	—	—	*KAB-250	*KAX-250	—	*KBH-250	*KAC-250	*KBC-250	—	KBP-250
—	*KAA-300	—	—	*KAB-300	*KAX-300	—	*KBH-300	*KAC-300	*KBC-300	—	KBP-300
—	*KAA-350	—	—	*KAB-350	*KAX-350	—	*KBH-350	*KAC-350	*KBC-350	—	—
—	*KAA-400	—	—	*KAB-400	*KAX-400	—	*KBH-400	*KAC-400	*KBC-400	—	KBP-400
—	*KAA-450	—	—	*KAB-450	*KAX-450	—	*KBH-450	*KAC-450	*KBC-450	—	KBP-450
—	*KAA-500	—	—	*KAB-500	*KAX-500	—	*KBH-500	*KAC-500	*KBC-500	—	KBP-500
—	—	—	—	—	—	—	*KBH-550	—	—	—	—
—	*KAA-600	—	—	*KAB-600	*KAX-600	—	*KBH-600	*KAC-600	*KBC-600	—	KBP-600
—	*KAA-650	—	—	—	—	—	—	—	—	—	—
—	*KAA-700	—	—	*KAB-700	*KAX-700	—	KBH-700	KAC-700	*KBC-700	—	—
—	*KAA-800	—	—	*KAB-800	*KAX-800	KAG-800	KBH-800	KAC-800	*KBC-800	—	—
—	*KAA-1000	—	—	—	—	KAG-1000	KBH-1000	KAC-1000	KBC-1000	—	—
—	KAA-1200	—	—	—	—	KAG-1200	KBH-1200	—	—	—	—
—	KAA-1500	—	—	—	—	KAG-1500	—	—	—	—	—
—	KAA-2000	—	—	—	—	KAG-2000	—	—	—	—	—
—	KAA-2500	—	—	—	—	KAG-2500	—	—	—	—	—
—	KAA-3000	—	—	—	—	KAG-3000	—	—	—	—	—

*U.L. Recognized.

Tron[®] Rectifier Fuses

Rectifier Fuses (60 to 700 Volts) 1/8 to 3000 Amperes



Rectifier Fuses—Dimensional, Carton Quality and Weight Data

Cat. Number	Volts	Ampere Rating	Fig. No.	Dimensions in Inches							Dimensions in Metric (mm)							Ctn. Qty.	Wt. Per Ctn.		
				A	B	C	D	E	F	G	A	B	C	D	E	F	G		Lbs.	Kg	
GBB	60V	1/8-30	1	1 1/4	1/4	1/4	—	—	—	—	—	—	—	—	—	—	—	5	0.05	0.023	
		1/2-30	1	1 1/2	3/8	13/32	—	—	—	—	—	—	—	—	—	—	—	10	0.18	0.079	
KAA	130V	70-400	2**	2 21/32	2 3/16	1 29/32	1 1/32	5/16	3/4	1	67.5	55.6	48.4	29.4	7.9	19.1	25.4	10	2.15	0.975	
		450-1000	3	3 1/2	2 7/16	1 1/4	1	1 1/2	1 3/32	1/4	88.9	61.9	31.8	25.4	38.1	10.3	6.4	10	6.00	2.722	
		1200-2000	5-A	1 7/8	1 9/8	1 3/4	2	1	**	—	—	47.6	41.3	44.5	50.8	25.4	**	—	1	1.25	0.567
		2500-3000	5-A	1 7/8	1 3/4	2 1/2	3	1 1/2	■	—	—	47.6	44.5	63.5	76.2	38.1	■	—	1	2.80	1.270
KAB	250V	1/2-30	1	2	1/2	9/16	—	—	—	—	50.8	12.7	14.3	—	—	—	—	10	0.35	0.159	
		35-60	4	3 3/16	2 7/16	1 9/16	3/4	1 3/16	1 1/32	1/8	81.0	61.9	39.7	19.1	20.6	8.7	3.2	10	1.20	0.544	
		70-200	3	3 1/8	2 3/8	1 9/16	7/8	1 7/32	1 1/32	3/16	79.4	60.3	39.7	22.2	31.0	8.7	4.8	10	4.13	1.871	
		225-800	3	3 27/32	2 25/32	1 19/32	1	1 1/2	1 3/32	1/4	97.6	70.6	40.5	25.4	38.1	10.3	6.4	10	6.08	2.756	
KAC	600V	1-30	3	2 7/8	2 1/2	1 7/8	1 9/32	9/16	1/4	1/16	73.0	63.5	47.6	10.3	14.3	6.4	1.6	10	0.48	0.215	
		35-60	3	4 3/8	3 5/8	2 3/4	5/8	1 9/16	1 1/32	3/32	111.1	92.1	69.9	15.9	20.6	8.7	2.4	10	1.38	0.624	
		70-100	2**	5	4 1/8	3 2 1/32	2 29/32	1 3/32	3/4	1	127.0	103.2	92.9	73.8	10.3	19.1	25.4	1	0.38	0.170	
		110-200	2**	5 1/2	4 3/8	3 3/32	2 29/32	1 3/32	1 1/8	1 1/2	139.7	111.1	92.9	73.8	10.3	28.6	38.1	1	0.85	0.383	
KAG	250V	225-400	3	6 1/4	4 3/4	3	1 5/8	2	9/16	1/4	158.8	120.7	76.2	41.3	50.8	14.3	6.4	1	1.88	0.851	
		450-800	3	6 1/4	4 3/4	3 1/16	2	2 1/2	9/16	1/4	158.8	120.7	77.8	50.8	63.5	14.3	6.4	1	3.32	1.504	
		1000	3	7 1/4	4 3/4	3 1/16	2 3/4	3 1/2	9/16	3/8	184.2	120.7	77.8	69.9	88.9	14.3	9.5	1	7.00	3.175	
		1000-1200	5-B	2 19/32	2 1 1/32	2 1/2	3	3/4	**	—	—	65.9	59.5	63.5	76.2	19.1	**	—	1	3.35	1.519
KAH	130V	35-60	1	2	5/8	1 3/16	—	—	—	—	50.8	15.9	20.6	—	—	—	—	10	0.88	0.397	
		1500-2500	5-C	2 19/32	2 1 1/32	3	3 1/2	1 1/2	**	—	65.9	59.5	76.2	88.9	38.1	**	—	1	4.85	2.199	
KAJ	600V	1-60	1	3	5/8	1 3/16	—	—	—	—	76.2	15.9	20.6	—	—	—	—	10	1.20	0.544	
KAW	130V	1-30	1	1 1/2	3/8	1 3/32	—	—	—	—	38.1	9.5	10.3	—	—	—	—	10	0.18	0.079	
		1/2-30	1	2	1/2	9/16	—	—	—	—	50.8	12.7	14.3	—	—	—	—	10	0.35	0.159	
KAX	250V	35-60	4	3 3/16	2 7/16	1 9/16	3/4	1 3/16	1 1/32	1/8	81.0	61.9	39.7	19.1	20.6	8.7	3.2	10	1.20	0.544	
		70-200	3	3 1/8	2 3/8	1 9/16	7/8	1 7/32	1 1/32	3/16	79.4	60.3	39.7	22.2	31.0	8.7	4.8	10	4.13	1.871	
		225-800	3	3 27/32	2 25/32	1 19/32	1	1 1/2	1 3/32	1/4	97.6	70.6	40.5	25.4	38.1	10.3	6.4	10	6.08	2.756	
		1-30	1	5	9/8	1 9/16	—	—	—	—	—	127.0	15.9	20.6	—	—	—	—	10	1.30	—
KBC	600V	35-60	3	4 3/8	3 5/8	2 3/4	5/8	1 9/16	1 1/32	3/32	111.1	92.1	69.9	15.9	20.6	8.8	2.4	10	1.38	0.624	
		70-100	3	4 1 3/32	3 2 1/32	2 29/32	3/4	1	5/16	1/8	111.9	92.9	73.8	19.1	25.4	7.9	3.2	1	0.43	0.195	
		110-200	3	4 1 3/32	3 2 1/32	2 29/32	7/8	1 7/32	5/16	3/16	111.9	92.9	73.8	22.2	31.0	7.9	4.8	1	0.95	0.431	
		225-400	3	5 1/8	4 1/16	2 29/32	1	1 1/2	1 3/32	1/4	130.2	103.2	73.8	25.4	38.1	10.3	6.4	1	1.06	0.481	
KBH	500V	450-600	3	5 1/8	4 1/16	2 7/8	1 1/2	2	1 3/32	1/4	130.2	103.2	73.0	38.1	50.8	10.3	6.4	1	1.28	0.581	
		800	5-B	4	3 3/4	2 1/2	3	3/4	**	—	101.6	95.3	63.5	76.2	19.1	**	—	1	4.50	2.041	
		1000	5-C	4	3 3/4	3	3 1/2	1 1/2	**	—	101.6	95.3	76.2	88.9	38.1	**	—	1	6.25	2.835	
		35-60	4	3 3/16	2 7/16	1 9/16	3/4	1 3/16	1 1/32	7/8	81.0	61.9	39.7	19.1	20.6	8.7	3.2	10	1.20	0.544	
KBP	700V	65-100	3	3 5/8	2 7/8	2 1/8	3/4	1	5/16	1/8	92.1	73.0	54.0	19.1	25.4	7.9	3.2	5	1.25	0.567	
		125-200	3	3 5/8	2 7/8	2 1/8	7/8	1 7/32	5/16	3/16	92.1	73.0	54.0	22.2	31.0	7.9	4.8	5	1.95	0.885	
		225-400	3	4 1 1/32	3 3/32	2 3/32	1	1 1/2	1 3/32	1/4	110.3	83.3	53.2	25.4	38.1	10.3	6.4	5	2.00	0.907	
		450-600	3	4 1 5/32	3 1 3/32	2 7/32	1 1/2	2	1 3/32	1/4	113.5	86.5	56.4	38.1	50.8	10.3	6.4	1	1.20	0.544	
KBP	700V	400-800	2**	6 15/32	4 2 1/32	4 9/32	2 7/32	1 7/32	2	2 1/2	164.4	118.3	108.7	56.4	13.5	50.8	63.5	1	2.85	1.293	
		1000-1200	3	7	5	3 1/4	2 1/4	3	5/8	3/8	177.8	127.0	82.6	57.2	76.2	15.9	9.5	1	5.10	2.313	
		25-30	1	2	—	9/16	—	—	—	—	—	50.8	—	14.3	—	—	—	—	10	0.35	0.159
		35-60	3	4 3/8	3 5/8	2 7/8	3/4	1	5/16	1/8	111.1	92.1	73.0	19.1	25.4	7.9	3.2	5	1.50	0.680	
KBP	700V	70-100	3	4 3/8	3 5/8	2 7/8	7/8	1 7/32	5/16	3/16	111.1	92.1	73.0	22.2	31.0	7.9	4.8	5	2.35	1.066	
		125-200	3	5 3/32	4 1/32	2 27/32	1	1 1/2	1 3/32	1/4	129.4	102.4	72.2	25.4	38.1	10.3	6.4	5	3.95	1.791	
		225-400	3	5 3/32	4 1/32	2 27/32	1 1/2	2	1 3/32	1/4	129.4	102.4	72.2	38.1	50.8	10.3	6.4	1	1.40	0.635	
450-600	3	6 1 1/32	5 3/32	2 27/32	2	2 1/2	1 7/32	3/8	161.1	129.4	72.2	50.8	63.5	13.5	9.5	1	2.80	1.270			

** Terminal Thickness: KAA 70-400, 3/16" (4.8 mm) KAC 100-200, 3/16" (4.8 mm) Mounting Hole Data: ** 3/8" - 24 x 1/2" (9.5 mm - 24 x 12.7 mm)
KAC 70-100, 1/8" (3.2 mm) KBH 700-800, 3/8" (9.5 mm) ■ 1/2" - 20 x 1/2" (12.7 mm - 20 x 12.7 mm)