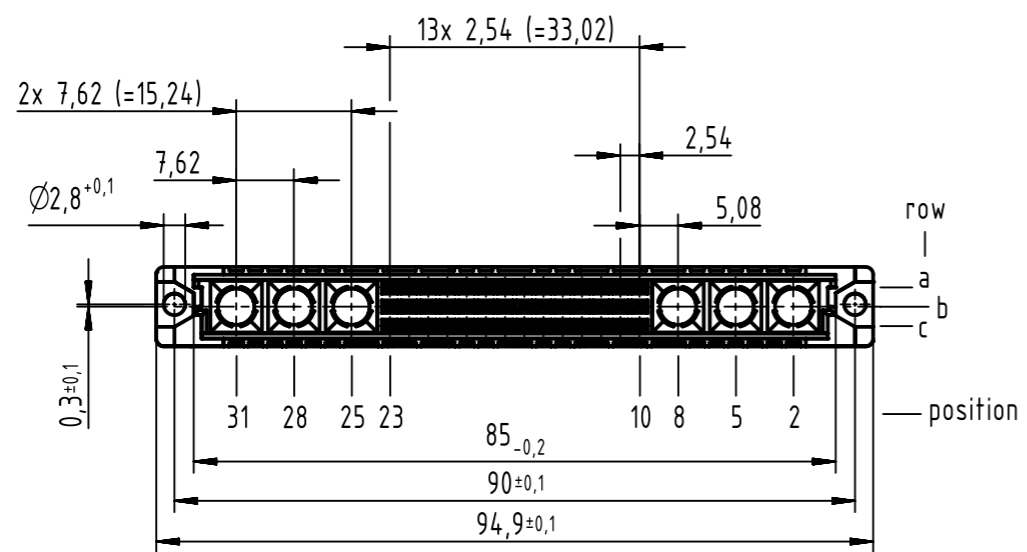
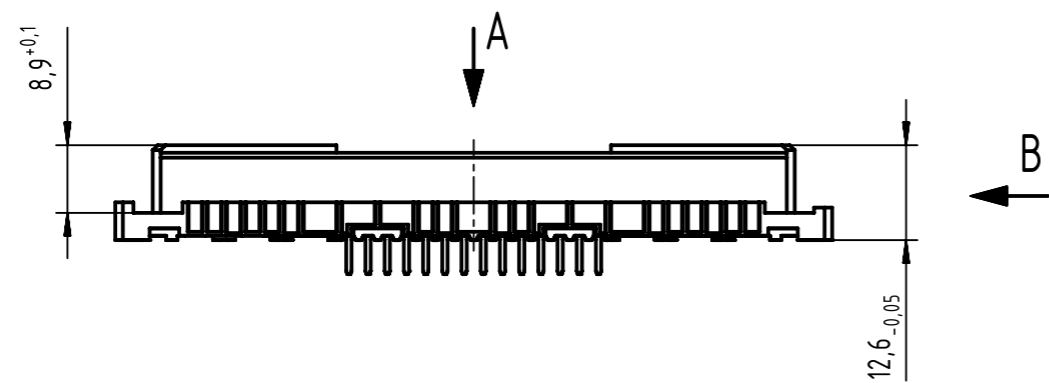
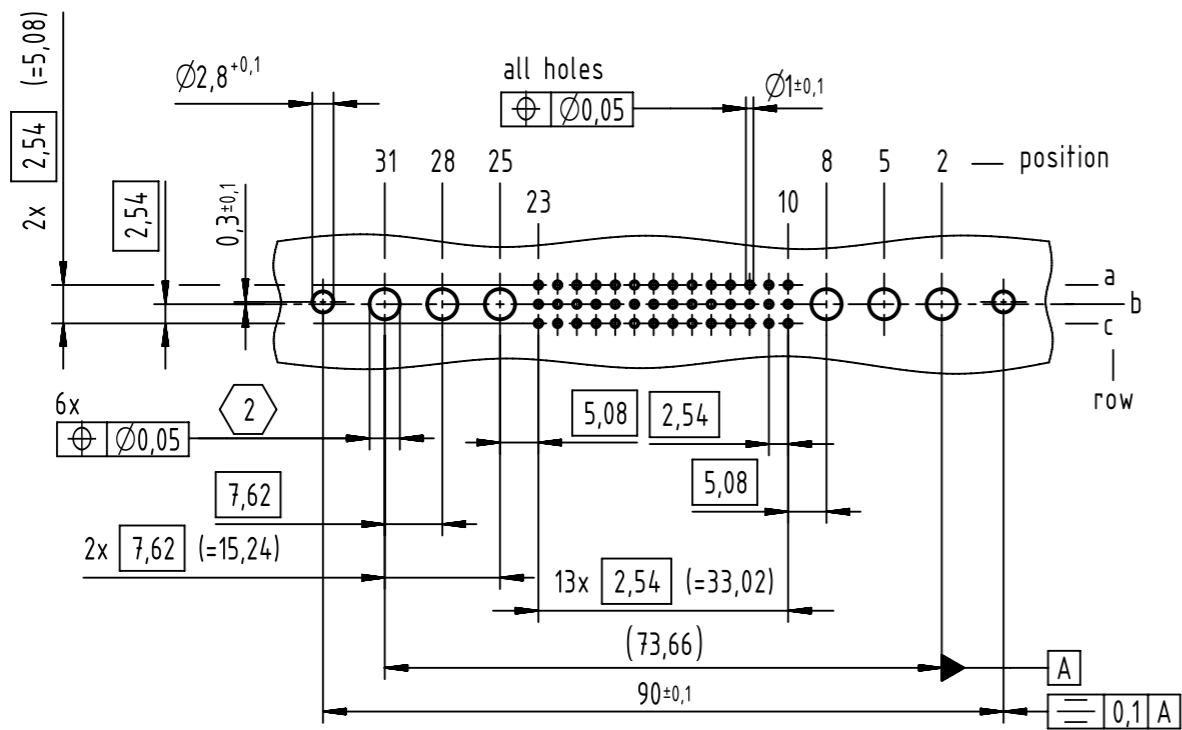
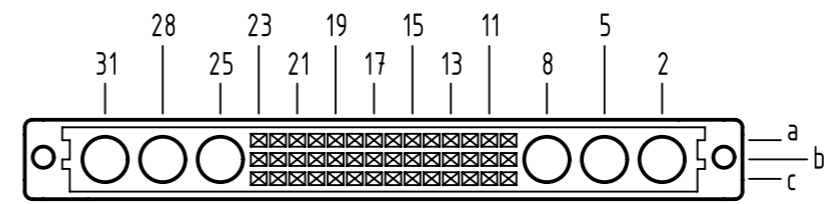


A
board drillings



A
contact arrangement

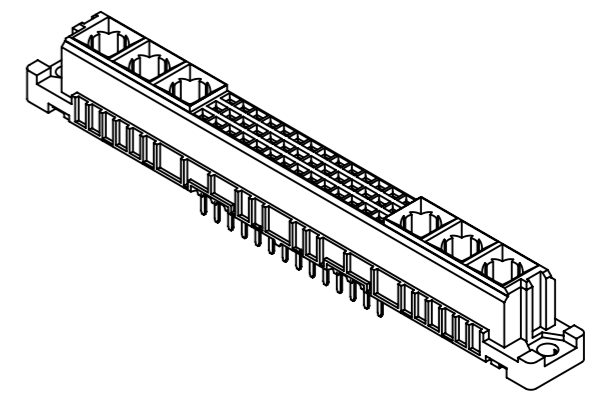
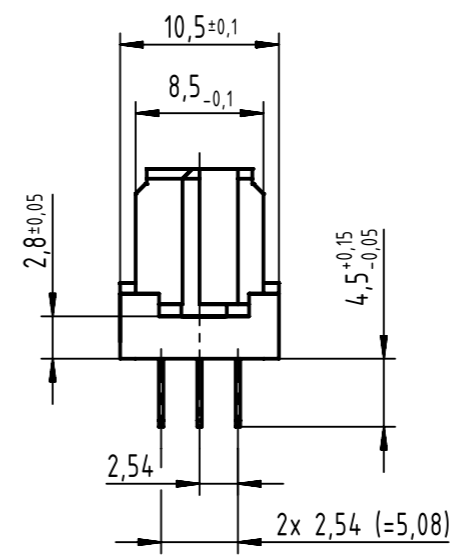


42 solder contacts

▨ = solder contact

□ = position without contact

B (2:1)



2 hole diameter is to be co-ordinated with the respective contact

1 further information see: DS 09032100001

09 03 242 6865	2
part no.	performance level 1

All Dimensions in mm Original Size DIN A3		Scale 1:1	Free size tol. IEC 60603-2	Ref.
All rights reserved Department EC PD - DE		Created by ZWAHR	Inspected by ELLERMANN	Standardisation HOFFMANN
HARTING Electronics GmbH D-32339 Espelkamp		Title DIN Signal type M42-flat female solder 4.5 42-pole Type TB Number 0903242X865		Date 2017-01-20 State Final Release Doc-Key / ECM-Nr. 100072218/UGD/049/D 500000114092 Rev. D Page 1/1