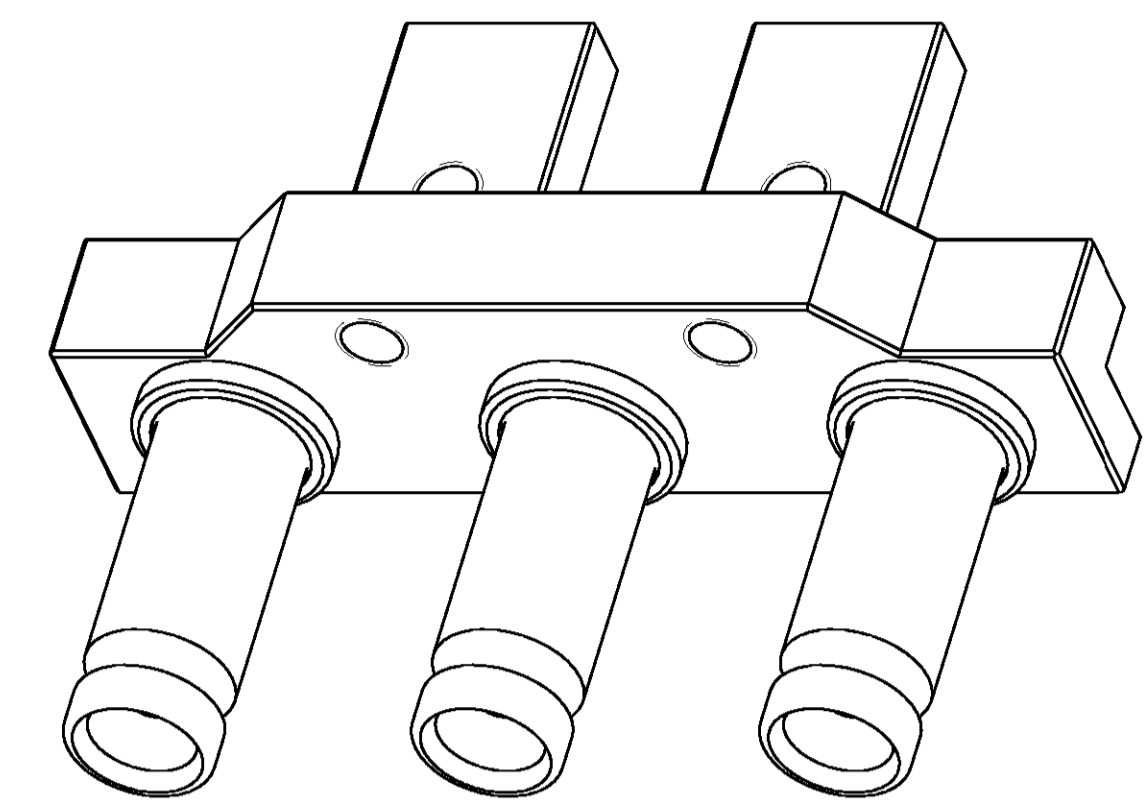
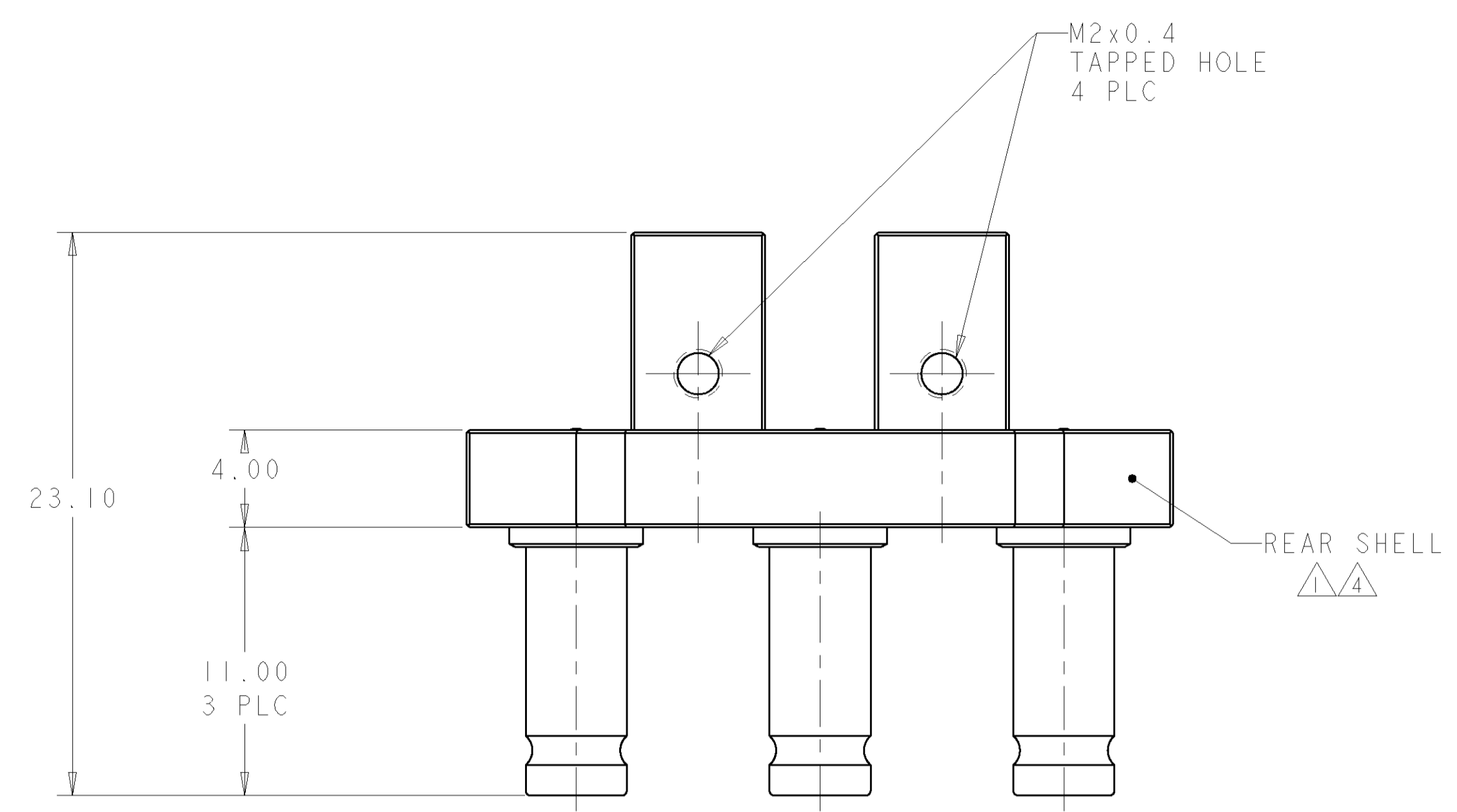
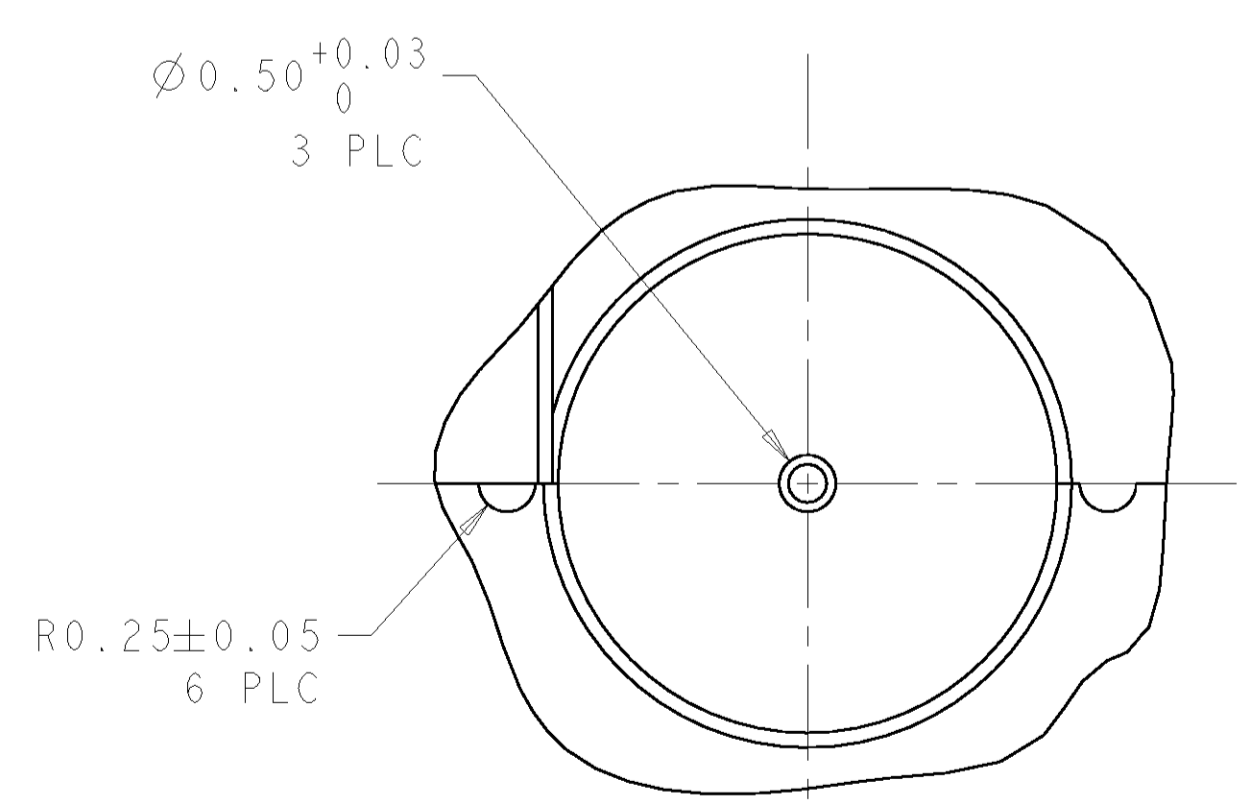
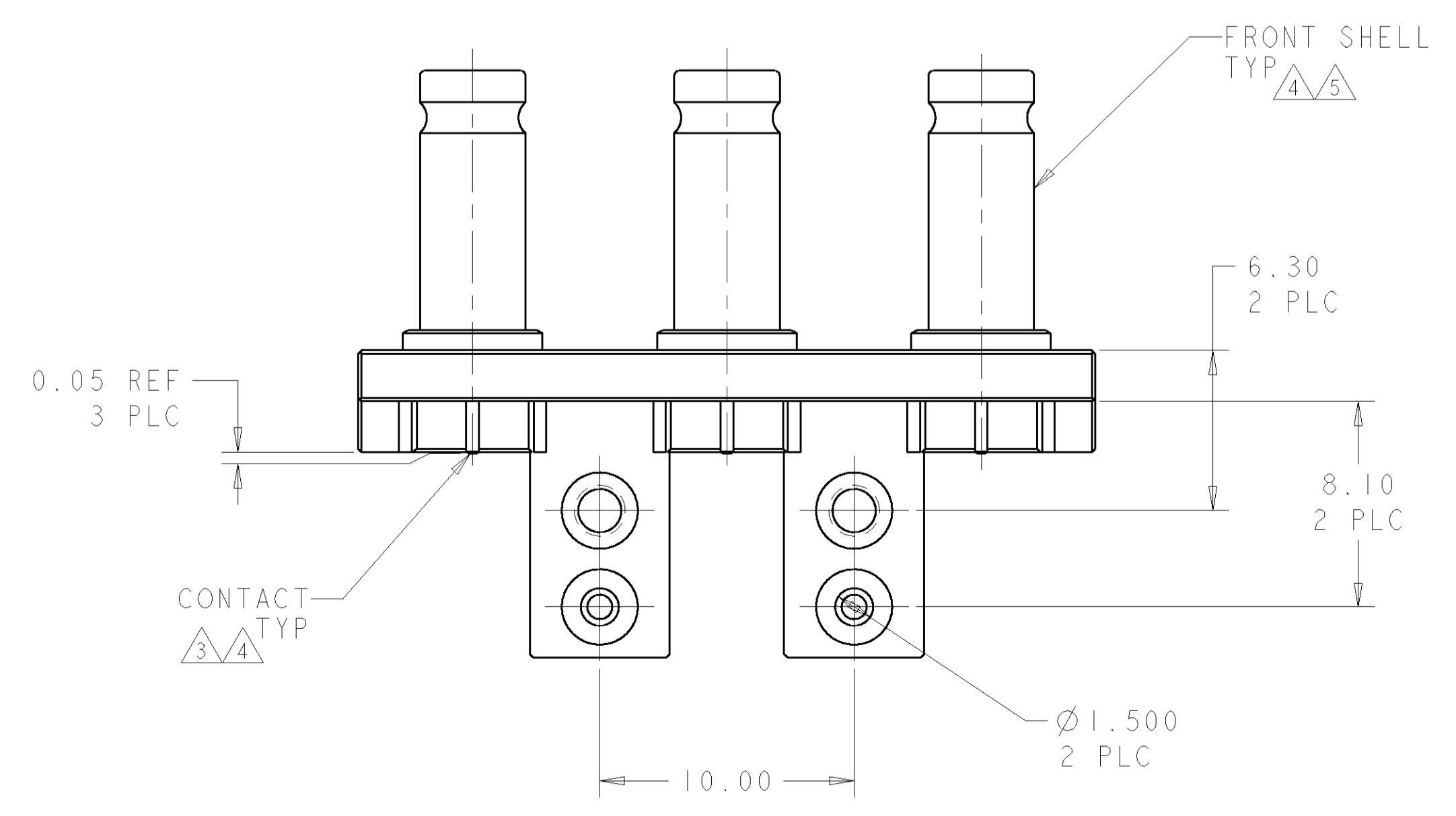
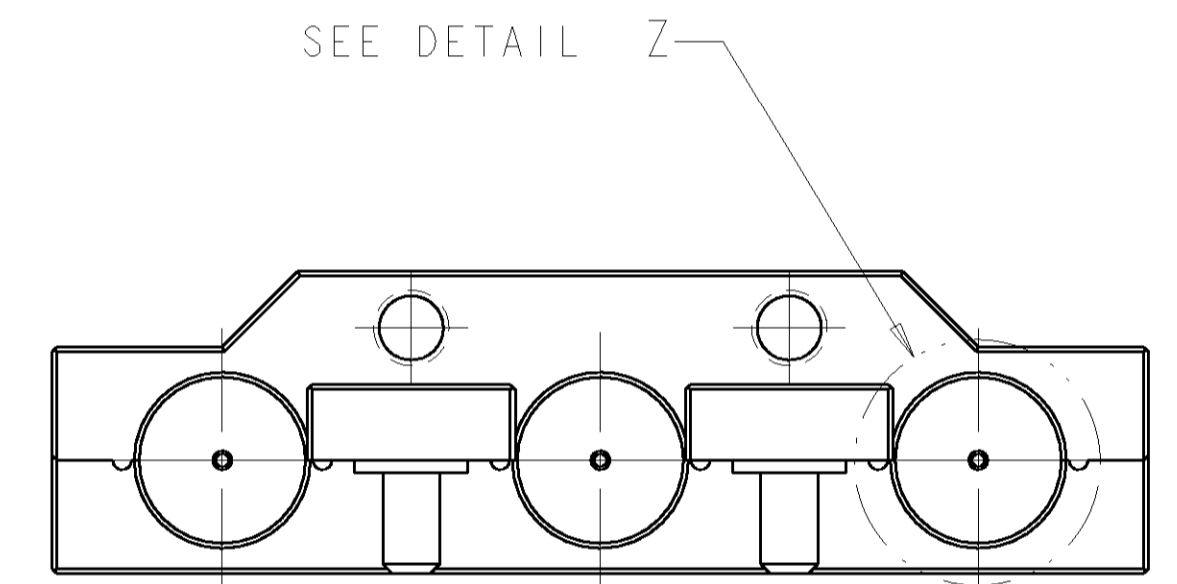
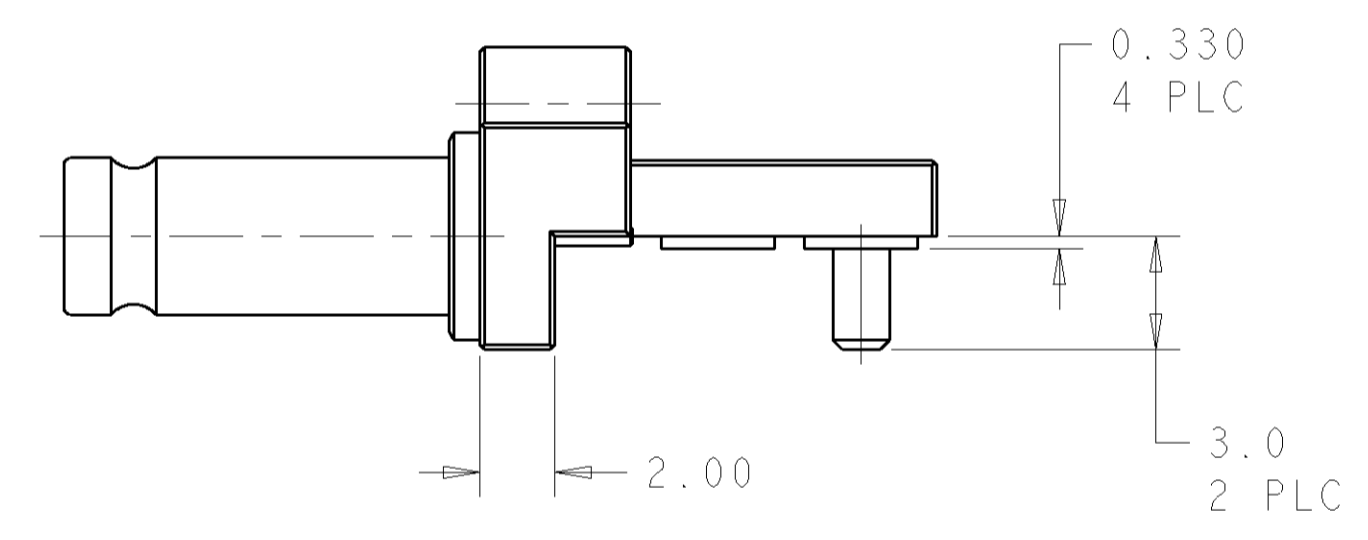
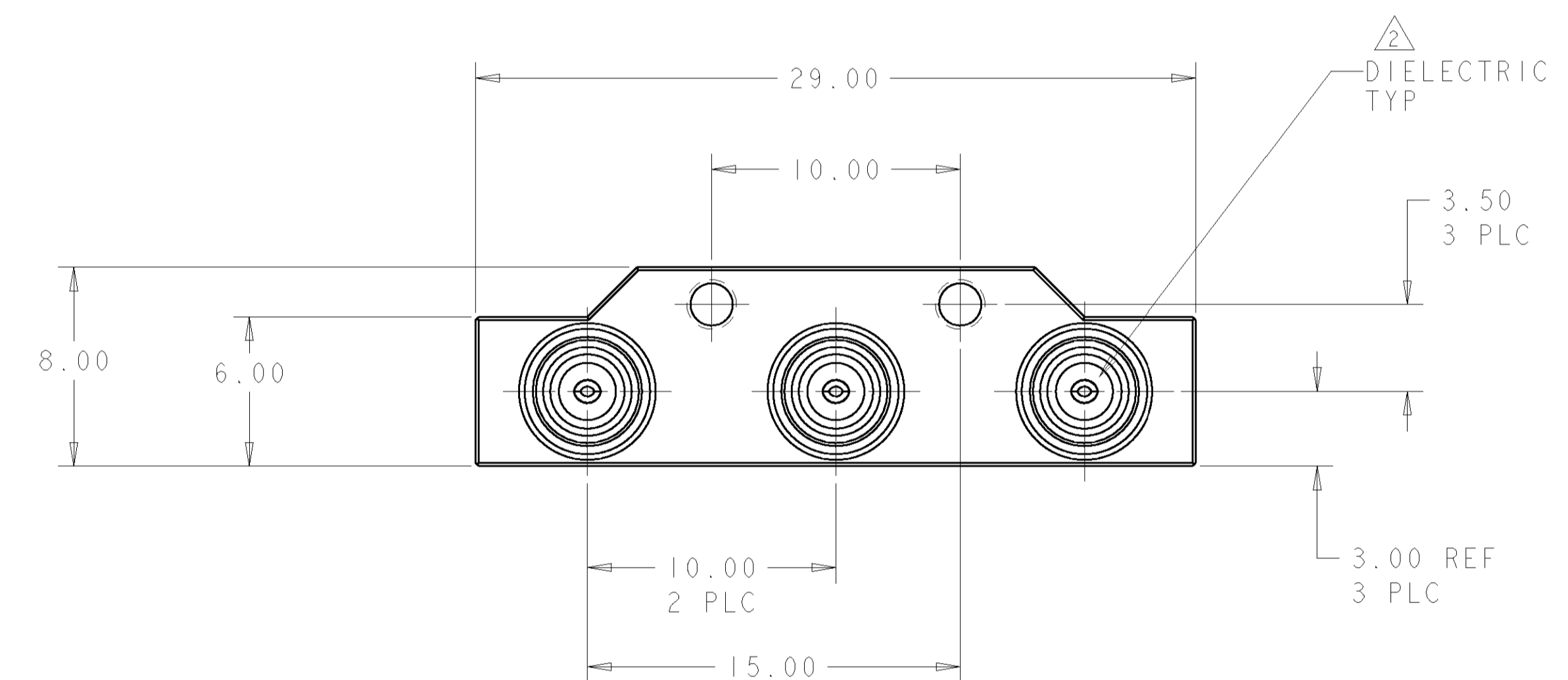


| LOC | DIST | REVISIONS | | | |
|-----|------|-------------|----------------------------|-----------|-------|
| P | LTR | DESCRIPTION | DATE | DWN | APVD |
| AJ | 16 | A | RELEASED PER ECO-06-015764 | 13JUL2006 | KS KW |



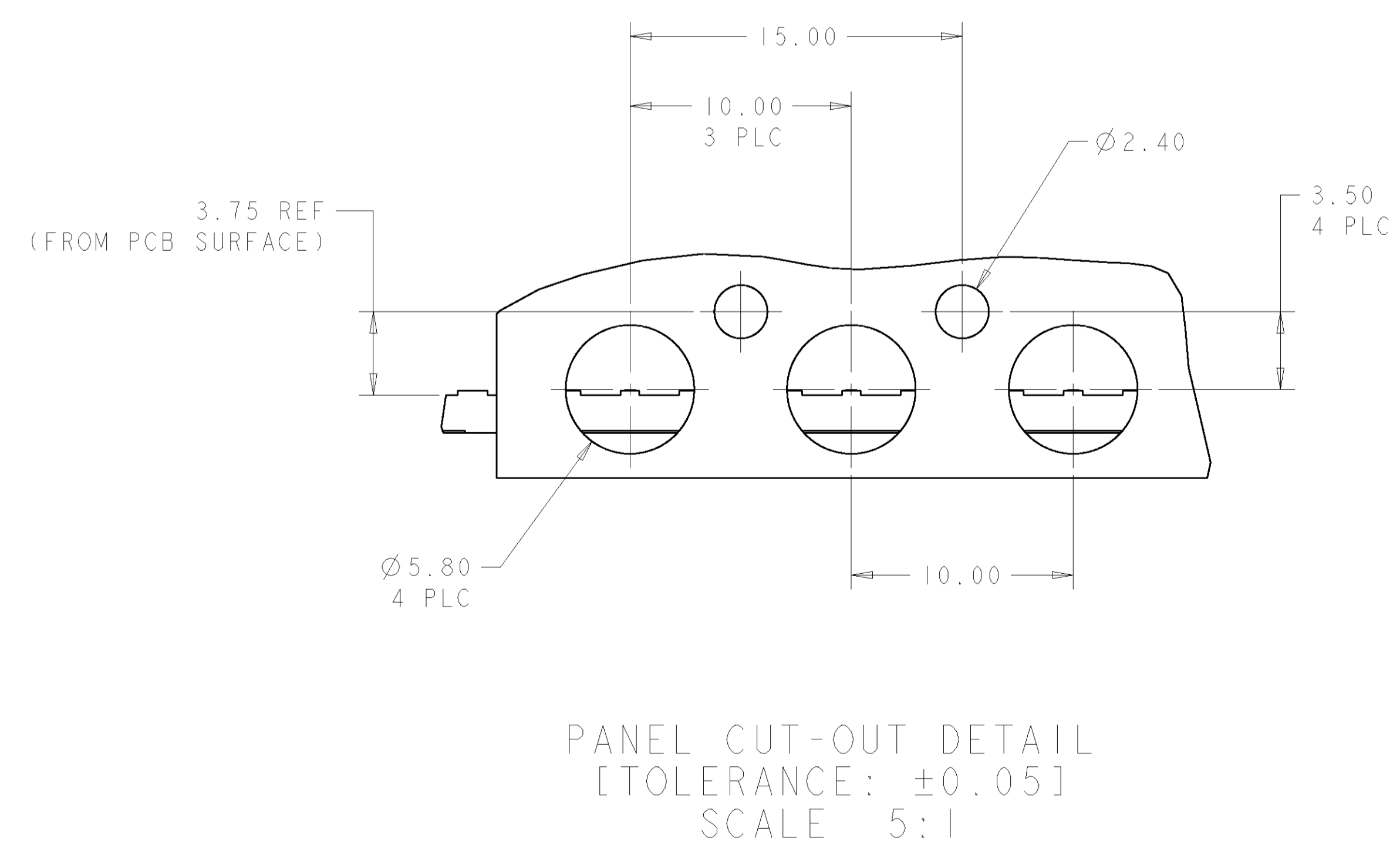
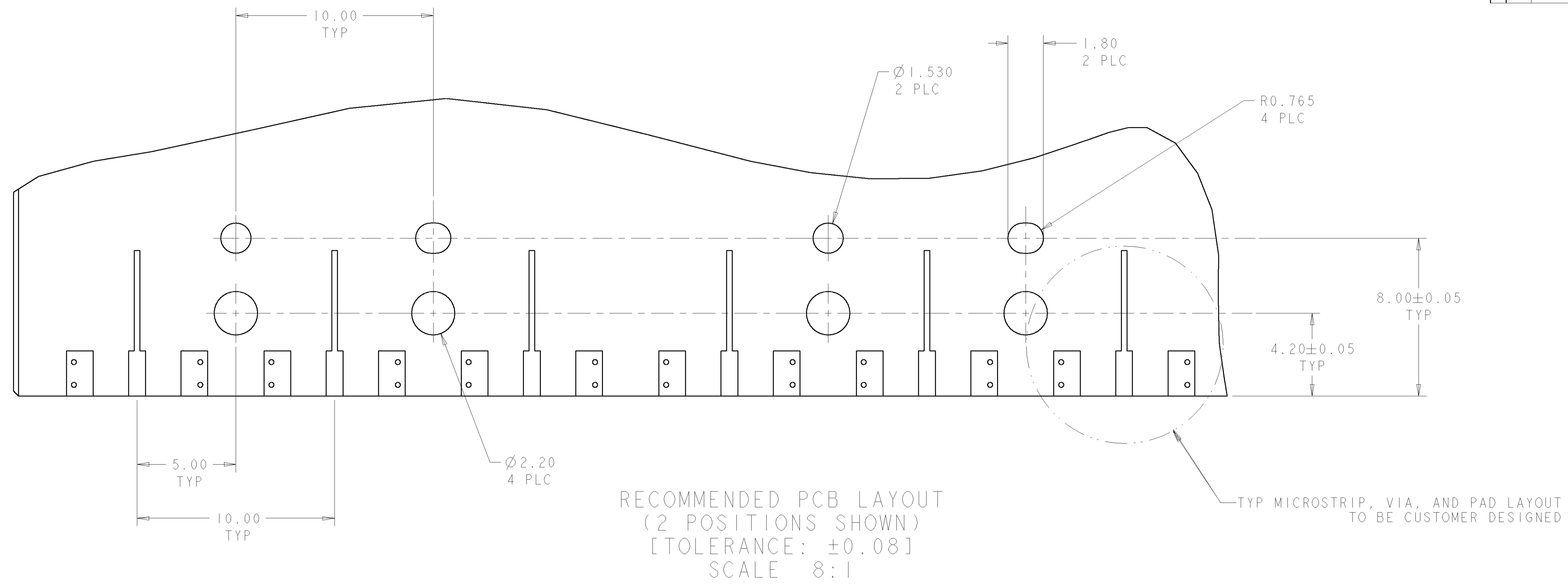
- △ ZINC PER ASTM B 86
- △ PTFE PER ASTM D 1710
- △ BERYLLIUM COPPER PER ASTM B 196
- △ GOLD PLATE PER ASTM B 488
- △ BRASS PER ASTM B 16
- 6. CONNECTOR INTERFACE PER CECC 22 230
- 7. CONNECTOR DESIGNED FOR 0.15 NOMINAL SOLDER PASTE THICKNESS
- 8. CONNECTOR DESIGNED FOR 2.03 NOMINAL PANEL THICKNESS
- 9. CONNECTOR DESIGNED FOR PCB AND PANEL ATTACHMENT WITH M2x0.4 PAN HEAD SCREW. HEAD 4.0 DIA MAX
- 10. PRODUCT HAS NOT COMPLETED VALIDATION TESTING



1274714-2
PART NUMBER

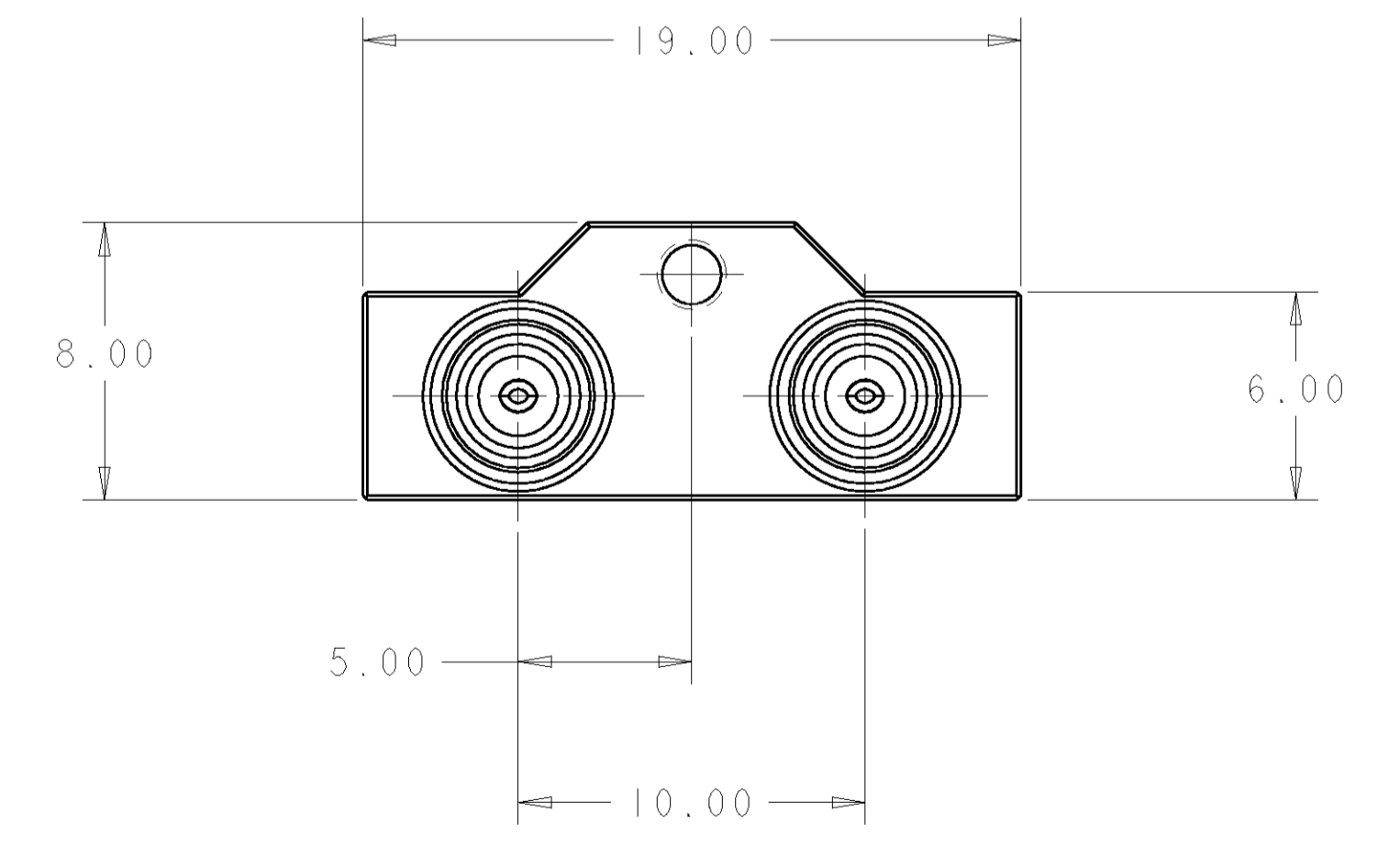
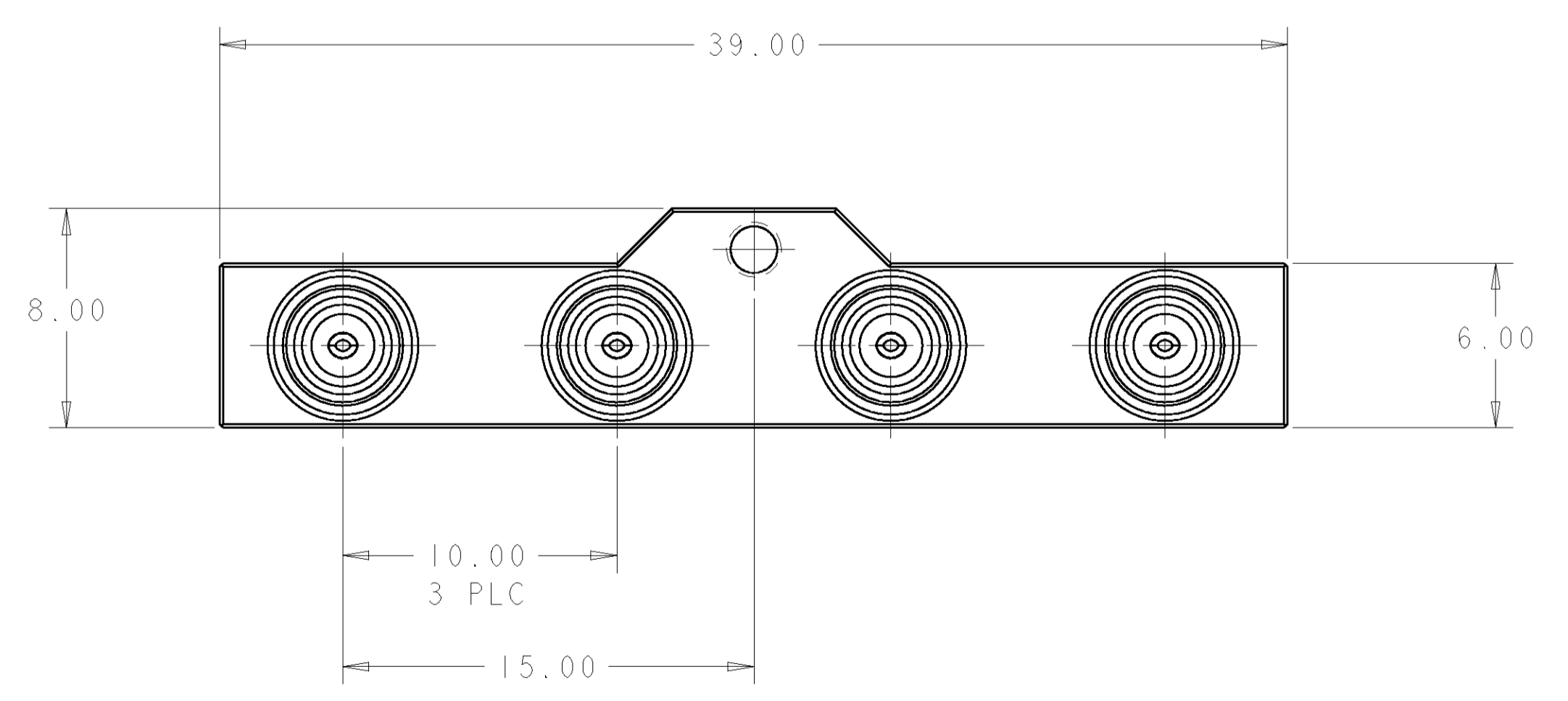
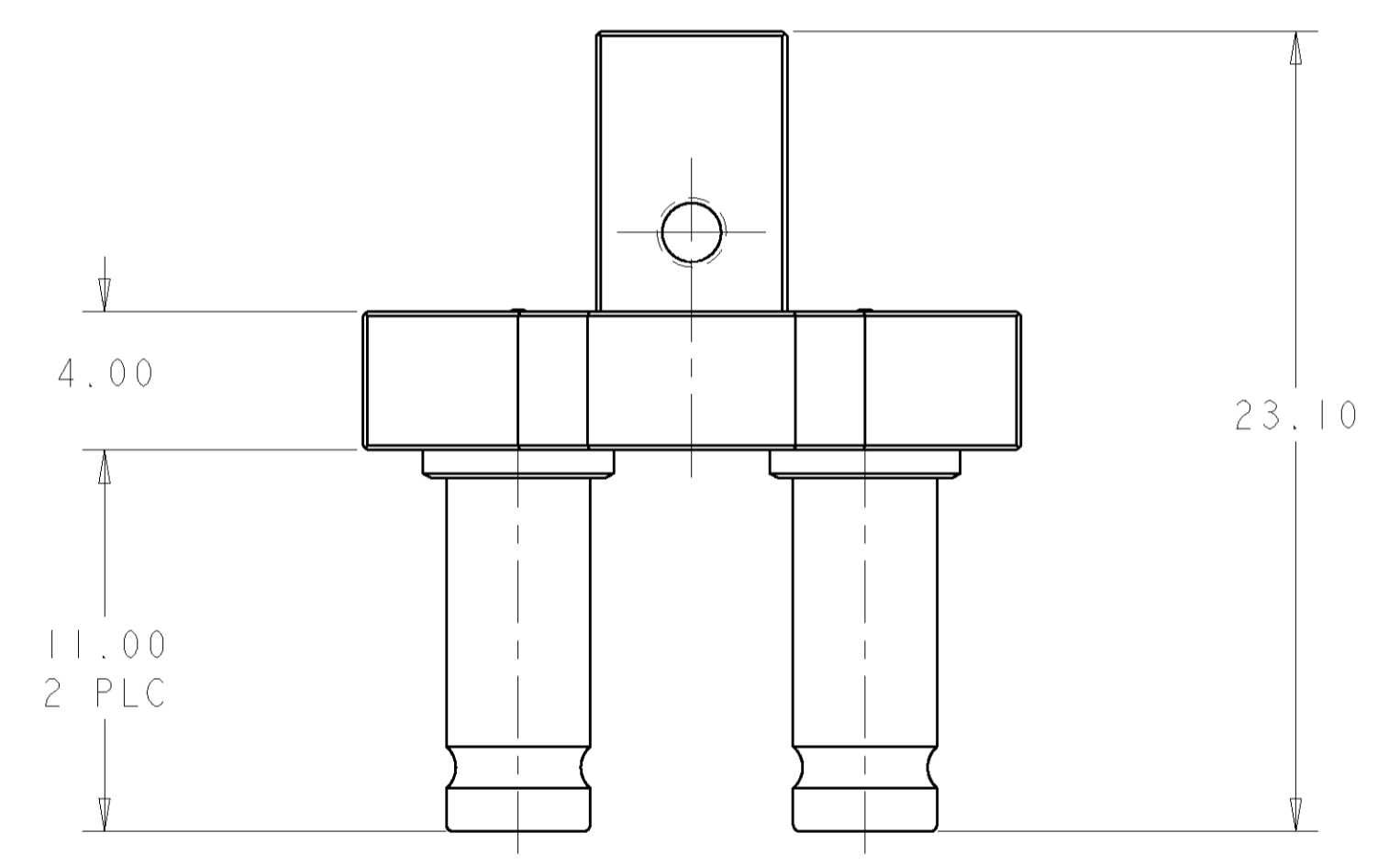
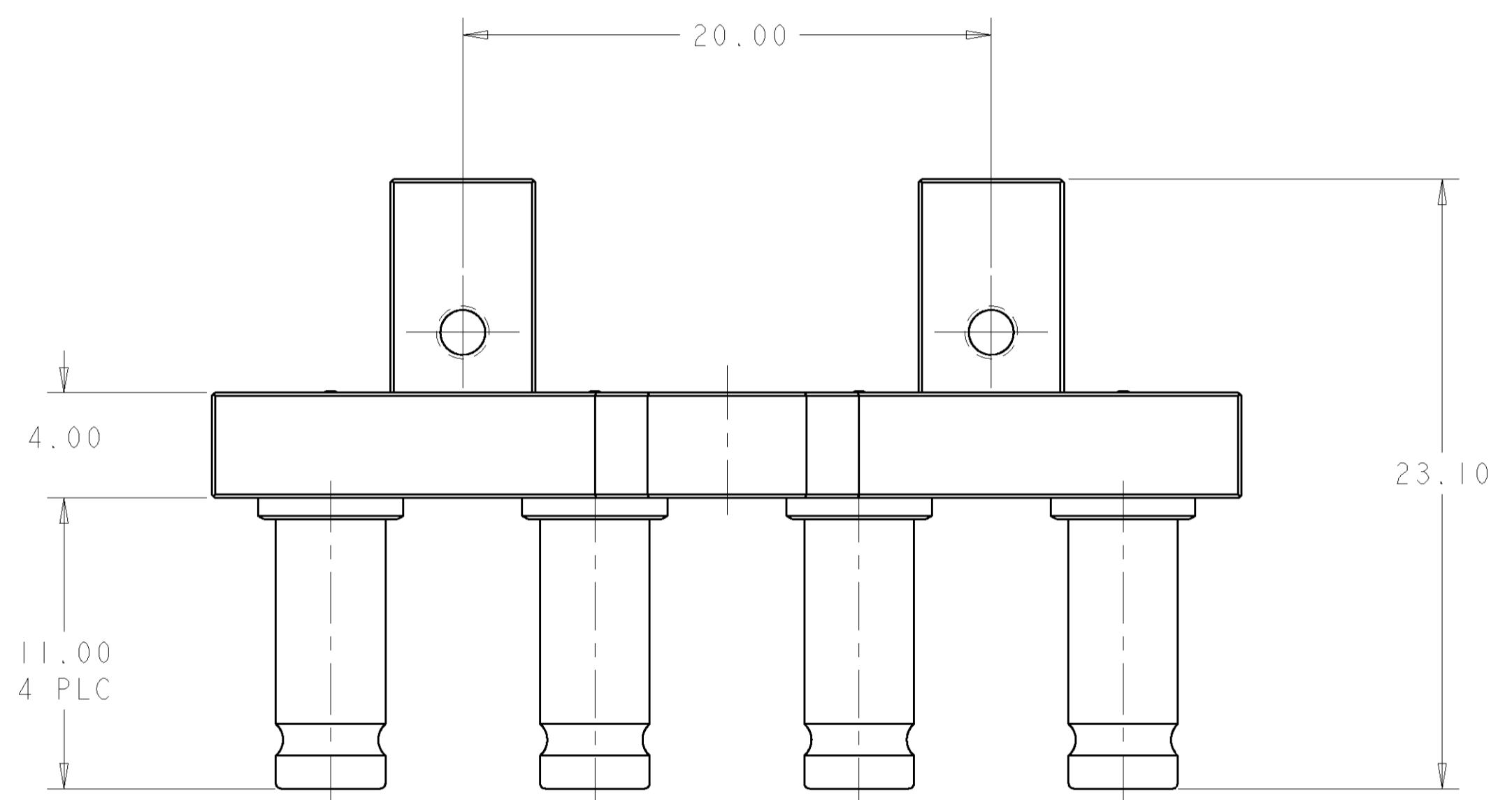
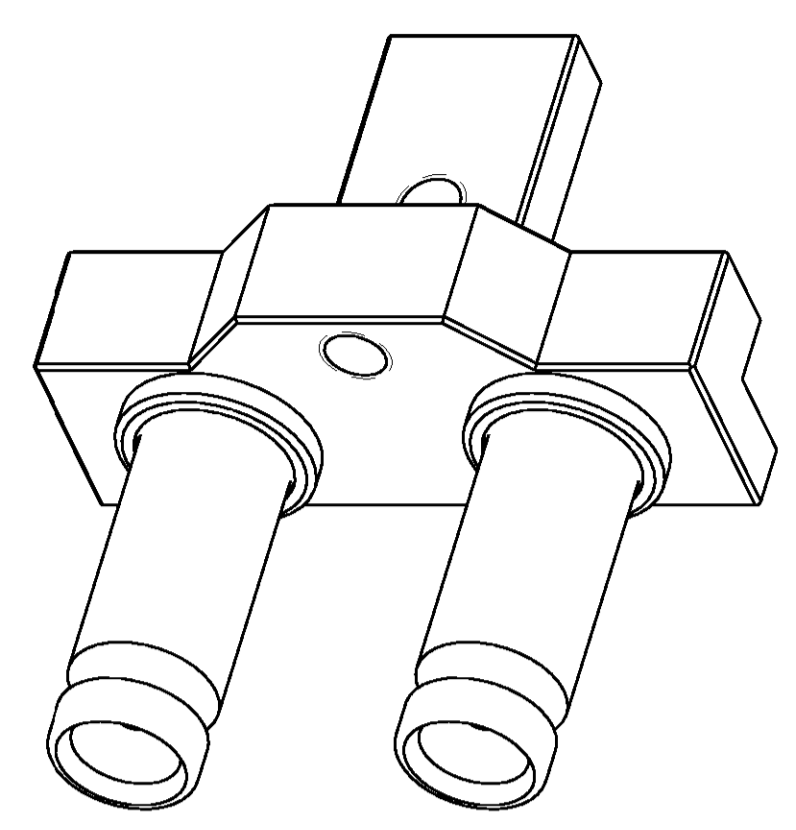
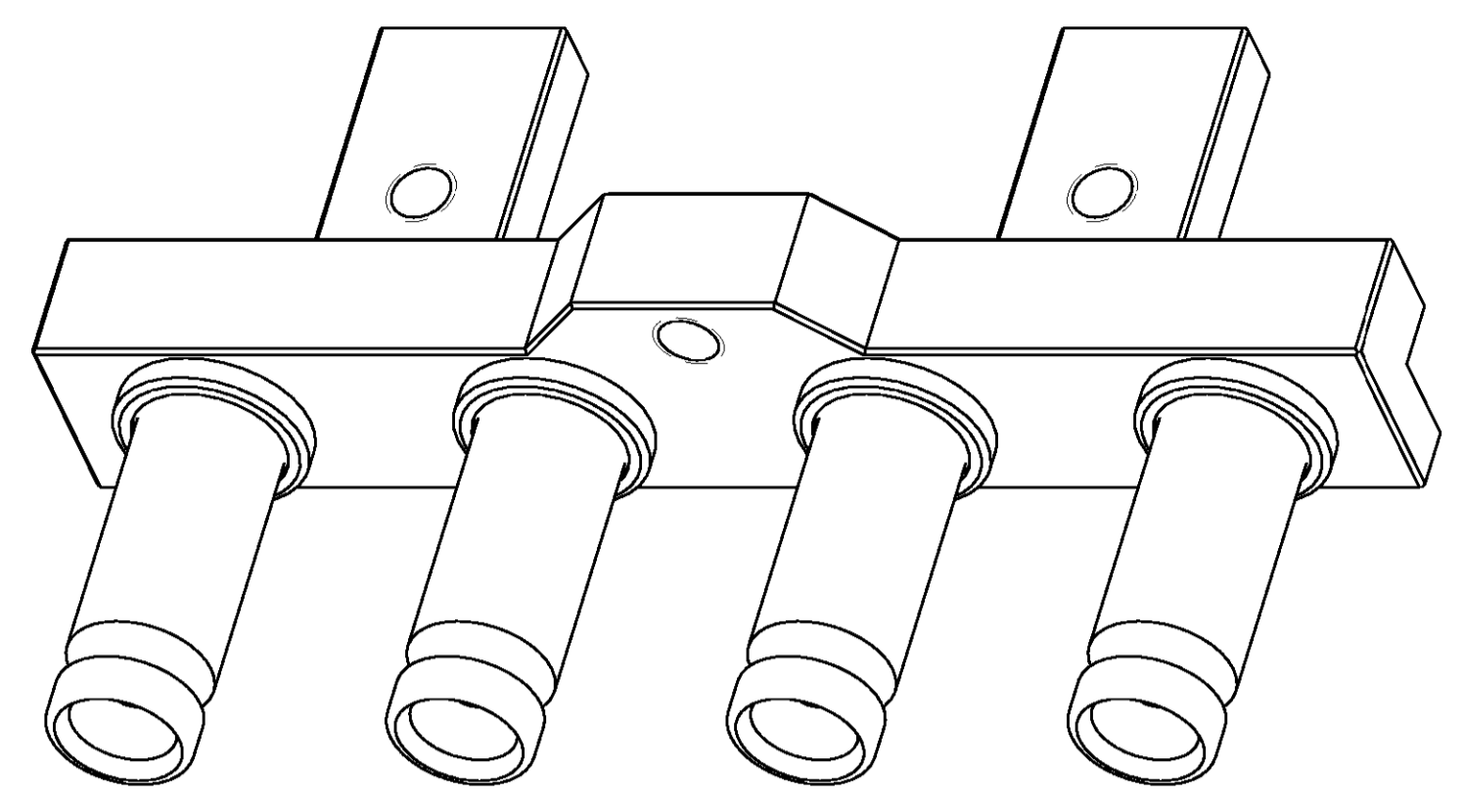
| | | | | | | | |
|------------------------|--|--|--|--|--|--|--|
| DIMENSIONS: mm | | TOLERANCES UNLESS OTHERWISE SPECIFIED: 0 PLC ± 1 PLC ±0.26 2 PLC ±0.13 3 PLC ±0.013 4 PLC ± ANGLES ± FINISH ± | | DWN DK_SCHRUM 11JAN2006 CHK K.WEIDNER 11JAN2006 APVD K.WEIDNER 11JAN2006 | | tyco Tyco Electronics Harrisburg, PA 17105-3608 Electronics | |
| MATERIAL - FINISH - | | WEIGHT - CUSTOMER DRAWING | | NAME ASSEMBLY, JACK, 3 POSITION, DIN 1.0/2.3, 75 Ohm | | SIZE CAGE CODE DRAWING NO RESTRICTED TO A 100779 C=1274714 - | |
| | | | | SCALE 5:1 SHEET 1 OF 3 REV A | | | |

| LOC | DIST | REVISIONS | | | |
|-----|------|-------------|------|-----|------|
| P | LTR | DESCRIPTION | DATE | DRN | APVD |
| AJ | 16 | SEE SHEET 1 | - | - | - |
| | | | | | |
| | | | | | |



| DIMENSIONS: | | TOLERANCES UNLESS OTHERWISE SPECIFIED: | | APVD | | NAME | |
|-------------|--------|--|--|-----------|-------------|---|--|
| mm | 0 PL | ± | | DK SCHRUM | 11 JAN 2006 | tyco Tyco Electronics Harrisburg, PA 17105-3608 | |
| | 1 PL | ±0.26 | | K WEIDNER | 11 JAN 2006 | ASSEMBLY, JACK, 3 POSITION, DIN 1.0/2.3, 75 Ohm | |
| | 2 PL | ±0.13 | | K WEIDNER | 11 JAN 2006 | 108-71032 | |
| | 3 PL | ±0.013 | | | | APPLICATION SPEC | |
| | 4 PL | ± | | | | SIZE CAGE CODE DRAWING NO RESTRICTED TO | |
| | ANGLES | ± | | | | A 100779 C-1274714 | |
| MATERIAL | FINISH | | | WEIGHT | | SCALE 4:1 SHEET 2 OF 3 REV A | |
| | | | | | | CUSTOMER DRAWING | |

| LOC | DIST | REVISIONS | | | |
|-----|------|-------------|------|-----|------|
| P | LTR | DESCRIPTION | DATE | DNW | APVD |
| AJ | 16 | SEE SHEET 1 | - | - | - |
| | | | | | |
| | | | | | |



1274714-1
(PRELIMINARY)

1274714-3
(PRELIMINARY)

PARTS ON THIS SHEET ARE
PRELIMINARY
 NOT RELEASED FOR PRODUCTION

| | | | |
|--|---|---|---|
| <small>THIS DRAWING IS UNPUBLISHED. RELEASED FOR PUBLICATION BY TYCO ELECTRONICS CORPORATION. ALL RIGHTS RESERVED.</small> | | DWN: DK SCHRUM 11JAN2006 CHK: K WEIDNER 11JAN2006 APVD: K WEIDNER 11JAN2006 | tyco Electronics Tyco Electronics Harrisburg, PA 17105-3608 |
| DIMENSIONS: mm | TOLERANCES UNLESS OTHERWISE SPECIFIED: 0 PLC ± 1 PLC ±0.26 2 PLC ±0.13 3 PLC ±0.13 4 PLC ± ANGLES ± FINISH ± | NAME: ASSEMBLY, JACK, 3 POSITION, DIN 1.0/2.3, 75 Ohm PRODUCT SPEC: 108-71032 APPLICATION SPEC: | SIZE: A 00779 C=1274714 SCALE: 5:1 SHEET 3 OF 3 REV A |
| MATERIAL: - | WEIGHT: - | CUSTOMER DRAWING | RESTRICTED TO: - |