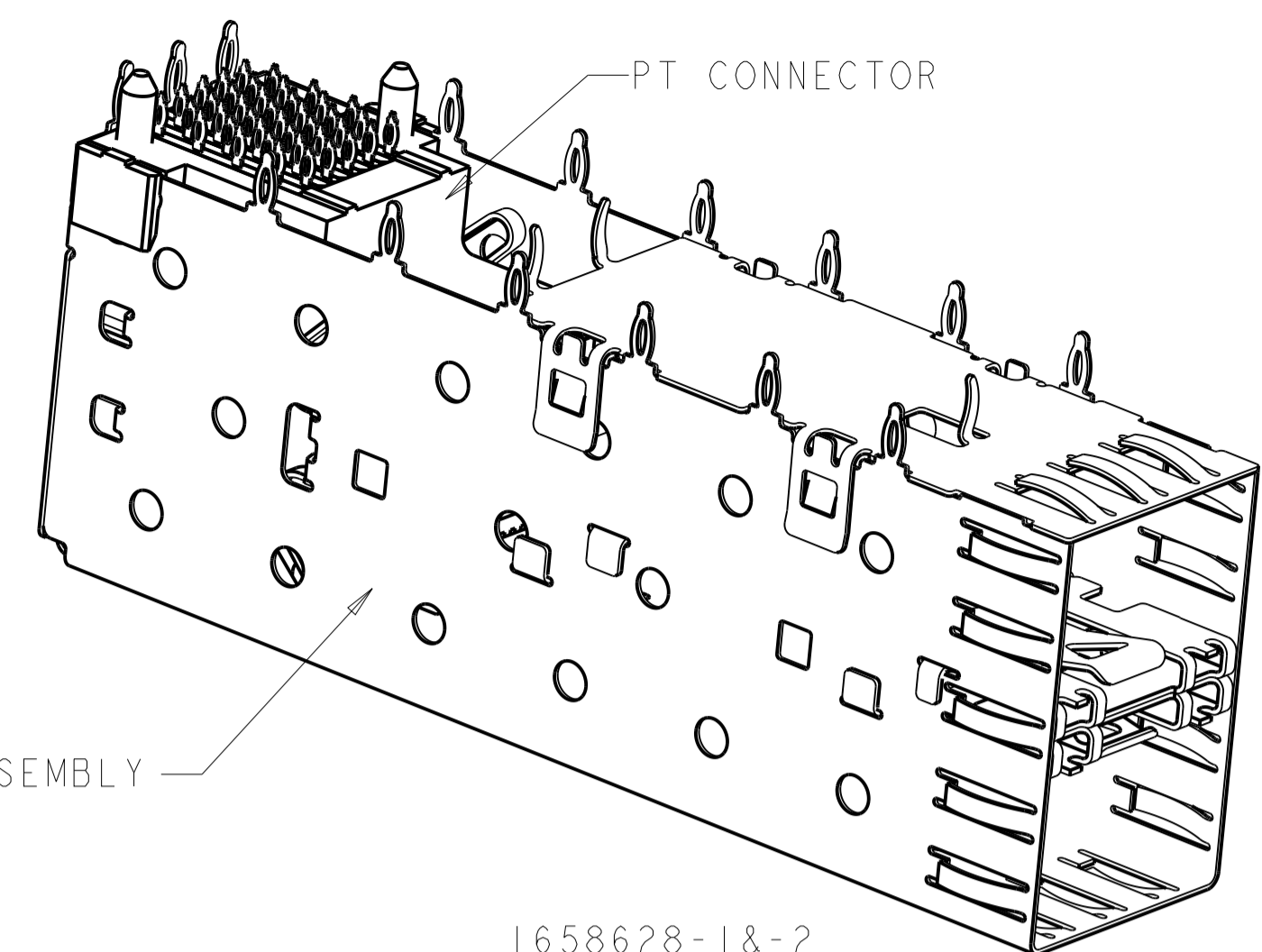
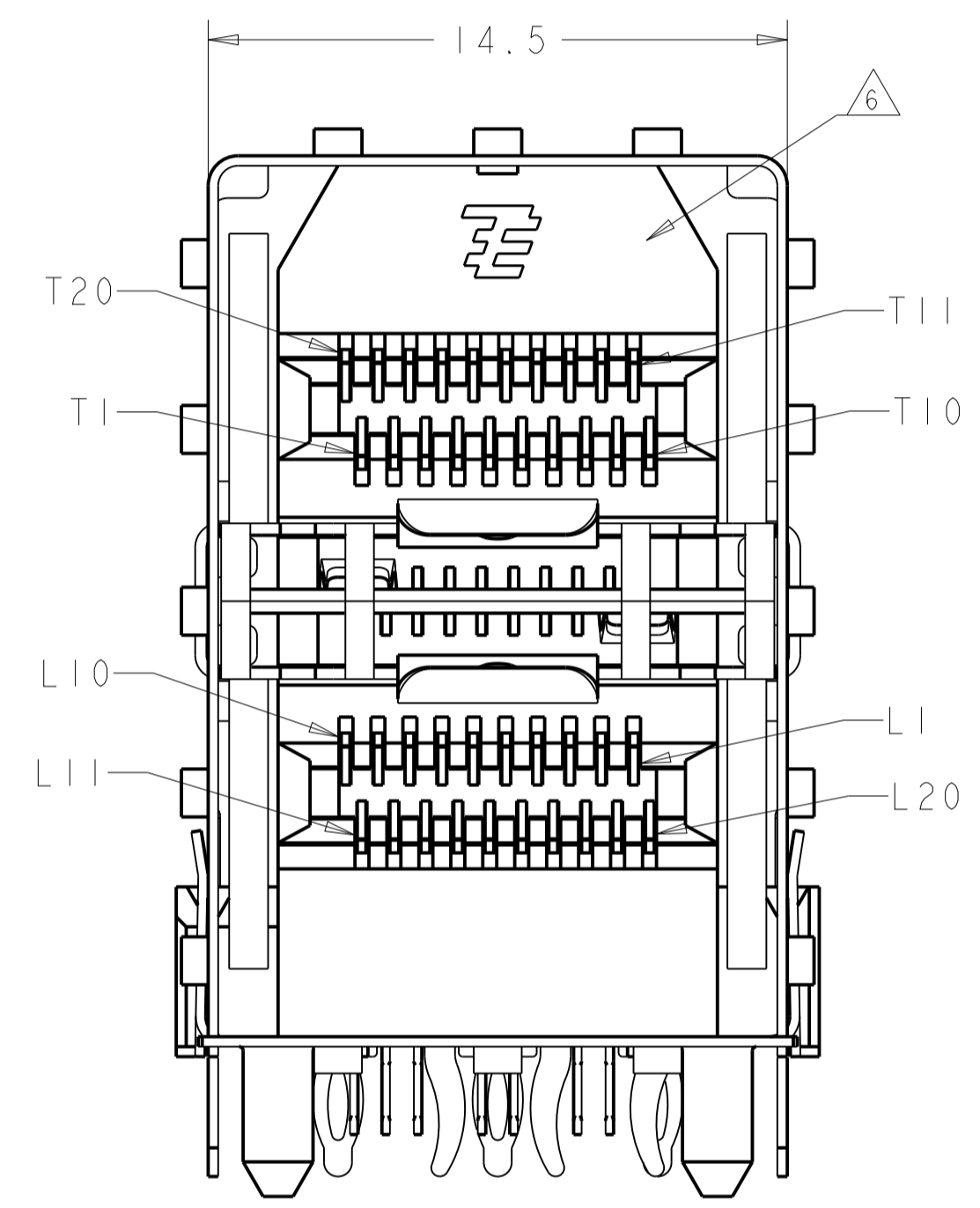
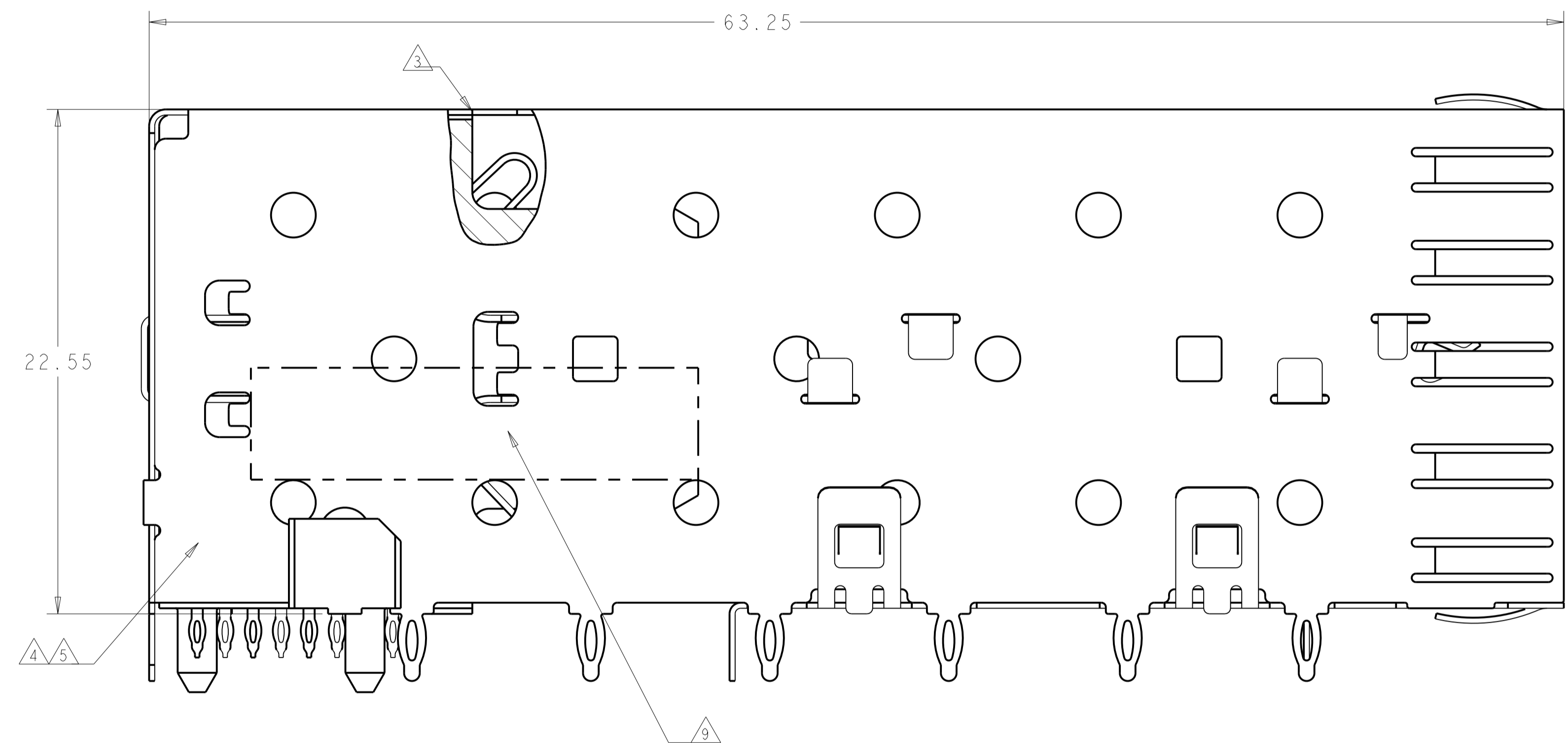


LOC	DIST	REVISIONS			
		REV	DATE	BY	CHKD
ES	00	F1	18MAR2011	RK	HMR
		G	20FEB2014	JW	SH
		G1	11JUL2014	JW	SH

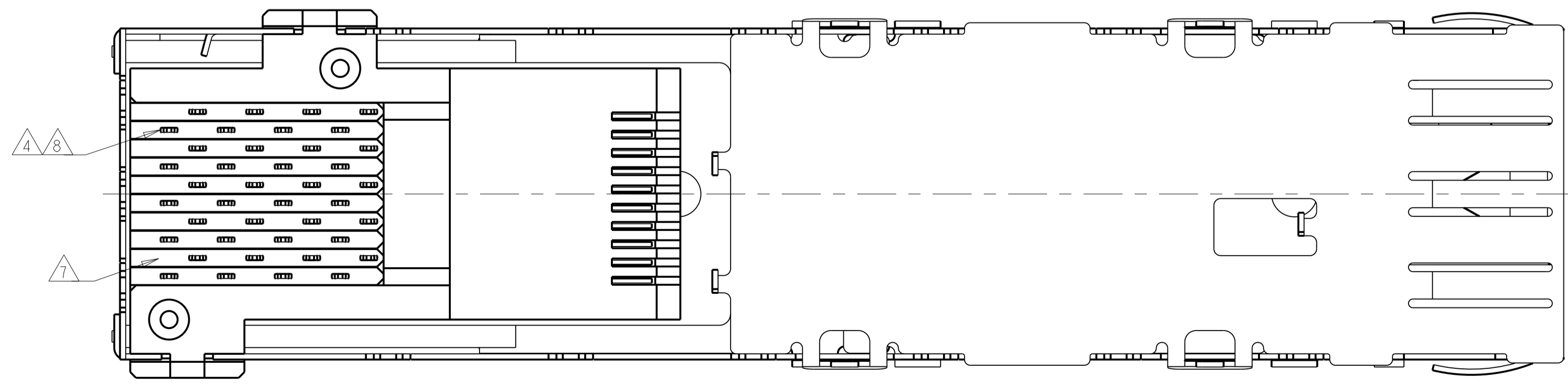


2X1 CAGE ASSEMBLY

1658628-18-2
SCALE 3:1



- ① DATUM AND BASIC DIMENSION TO BE DETERMINED BY CUSTOMER.
- ② INTERPRETATION OF DATUM REFERENCE FRAME IN ACCORDANCE WITH SECT 4.4.1.1 OF ASME Y14.5M-1994.
- ③ TOP OF PT CONNECTOR TO BE 0-0.15 FROM INSIDE SURFACE OF CAGE.
- ④ COPPER ALLOY.
- ⑤ 1.25umMIN TIN PER ASTM B 545 OVER NICKEL FLASH PER QQ-N-290. NON-PLATED EDGES PERMISSIBLE.
- ⑥ LCP, HIGH TEMPERATURE, UL 94V-0 RATED, BLACK.
- ⑦ POLYESTER, UL 94V-0 RATED, BLACK.
- ⑧ CONTACT MATING AREA: SURFACE TREATMENT OVER 0.76um MIN GOLD PER ASTM B 488 OVER 1.27um MIN NICKEL PER QQ-N-290. NEEDLE EYE: 1.25um MIN TIN PER ASTM B 545 OVER 1.27um MIN NICKEL PER QQ-N-290. REMAINDER OF CONTACT: 0.76um MIN NICKEL PER QQ-N-290.
- ⑨ DATE CODE AND PART NUMBER IN APPROXIMATE AREA SHOWN.
- ⑩ MATERIAL: NICKEL SILVER ALLOY(NO PLATING)



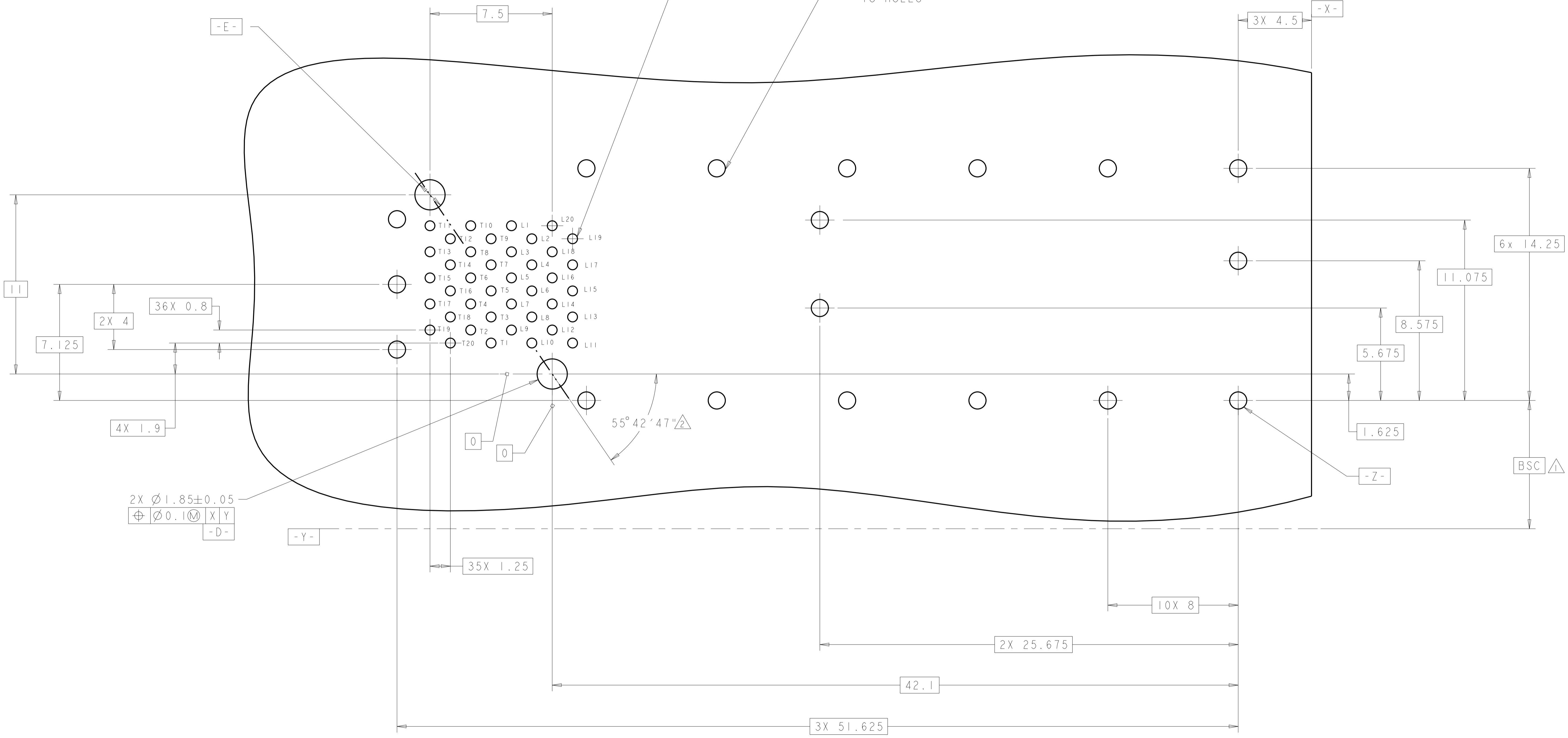
⑧	④, ⑦	NO	⑩	1658628-2
CONNECTOR FINISH	CONNECTOR MATERIAL	CAGE FINISH	CAGE MATERIAL	PART NUMBER
⑧	④, ⑦	⑤	④	1658628-1
CONNECTOR FINISH	CONNECTOR MATERIAL	CAGE FINISH	CAGE MATERIAL	PART NUMBER

THIS DRAWING IS A CONTROLLED DOCUMENT.		OWN	17APR03
DIMENSIONS:		CHK	23JAN04
TOLERANCES UNLESS OTHERWISE SPECIFIED:		APVD	23JAN04
mm	0 PLC ±	NAME	
	2 PLC ±0.1	M. WALMSLEY	
	3 PLC ±	PRODUCT SPEC	
	4 PLC ±	108-2161	
	ANGLES ±	APPLICATION SPEC	
		114-13103	
MATERIAL	FINISH	WEIGHT	SIZE CAGE CODE DRAWING NO
			A100779C=1658628
CUSTOMER DRAWING		SCALE	SHEET 1 OF 3
		6:1	REV G1

LOC	DIST	REVISIONS			
ES	00	REV	DATE	BY	APPV
-	-	SEE SHEET 1	-	-	-

THE HOLE SIZE IS RECOMMENDED ON THE
 PAGE 4 (TOP OF FIGURE2 FOR CONNECTOR)
 OF THE TE DOCUMENT 114-13103
 $\varnothing 0.08 \text{ (M)} | \text{DS} | \text{ES}$
 40 HOLES

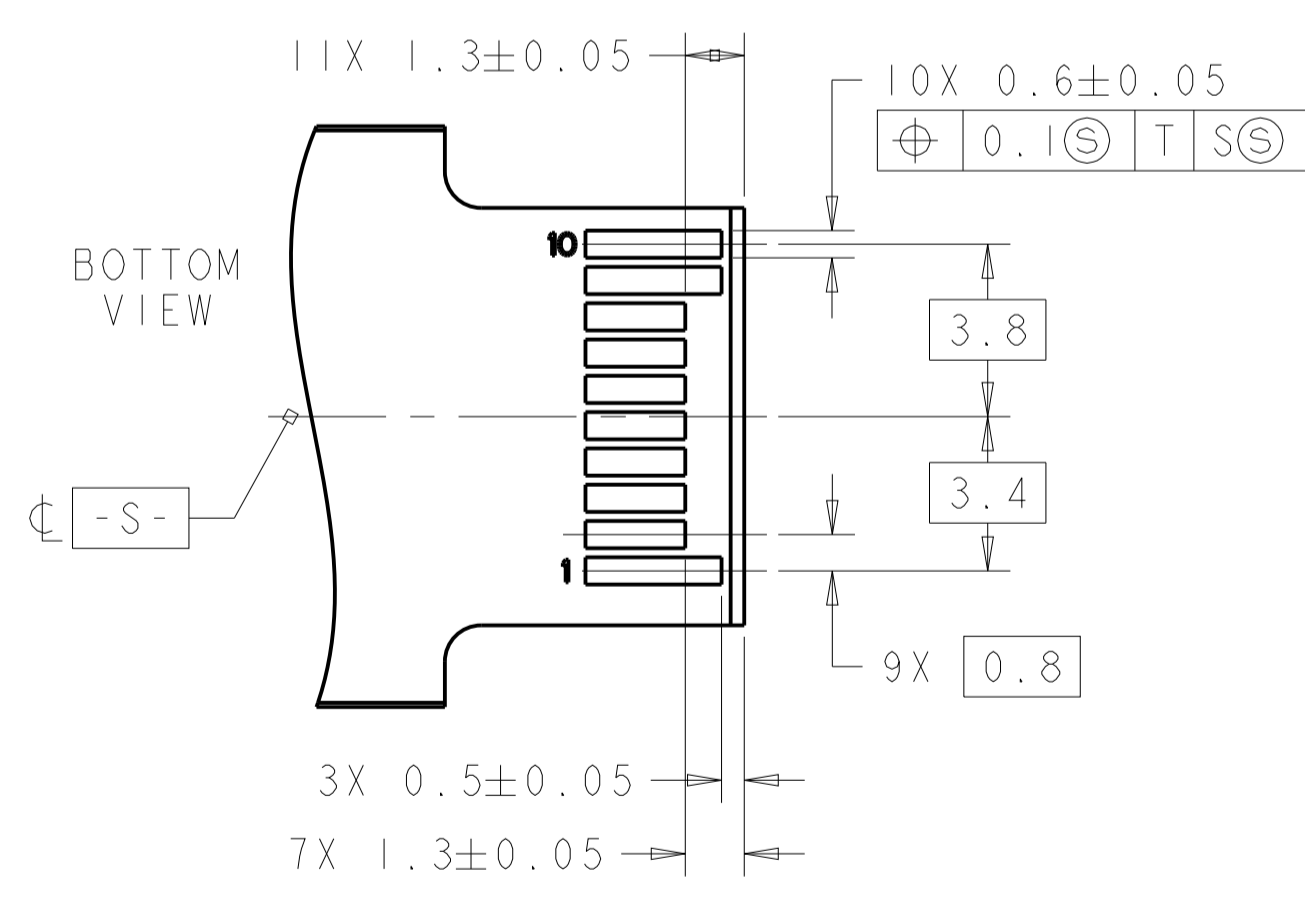
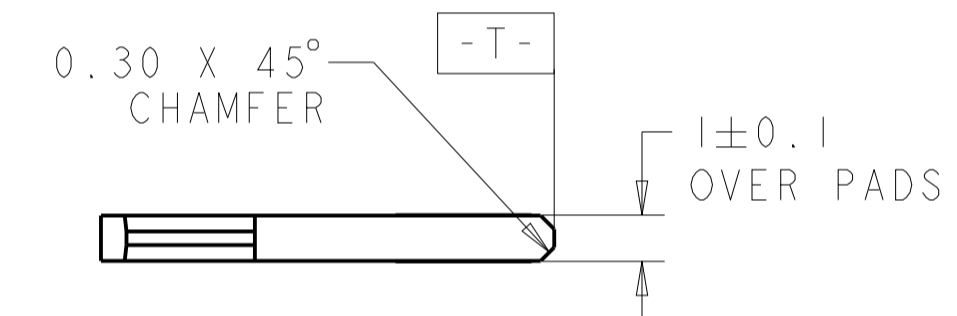
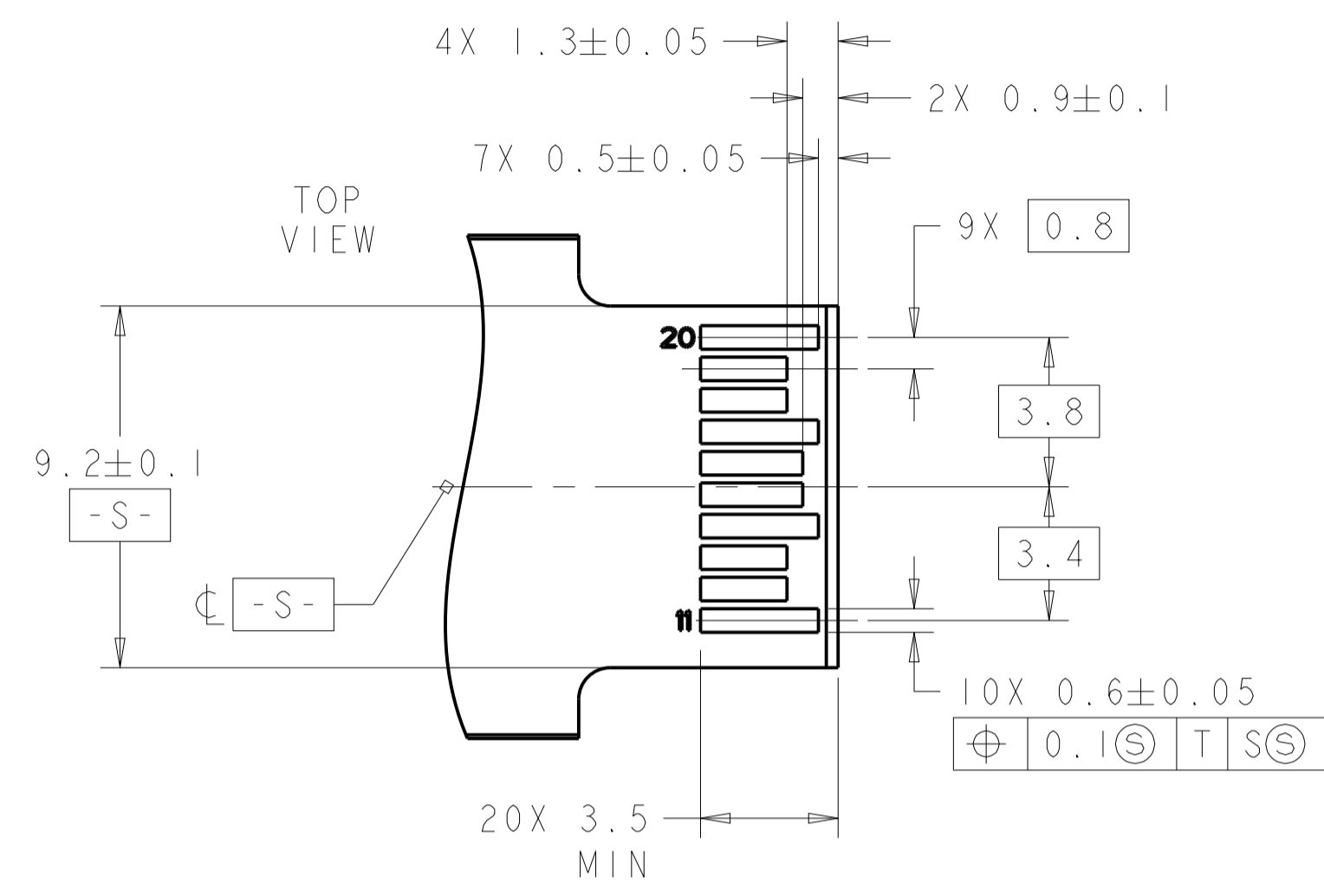
THE HOLE SIZE IS RECOMMENDED ON THE
 PAGE 4 (BOTTOM OF FIGURE2 FOR CAGE ASSEMBLY)
 OF THE TE DOCUMENT 114-13103
 $\varnothing 0.1 \text{ (M)} | \text{ZS}$
 18 HOLES



SFP HOST BOARD
 MECHANICAL LAYOUT
 SCALE 8:1

THIS DRAWING IS A CONTROLLED DOCUMENT.		OWN: R. HENRY 11APR03	TE Connectivity
DIMENSIONS: mm		CHK: J. KOPPENHEFFER 23JAN04	
TOLERANCES UNLESS OTHERWISE SPECIFIED:		APV: M. WALMSLEY 23JAN04	NAME: CAGE AND PT CONNECTOR ASSEMBLY, 2x1, PRESS FIT, LOW PROFILE, SFP
0 PLC ±	1 PLC ±0.1	PRODUCT SPEC: 108-2161	SIZE: A1
2 PLC ±	3 PLC ±	APPLICATION SPEC: 114-13103	CAGE CODE: 1658628
4 PLC ±	ANGLES ±	WEIGHT: -	RESTRICTED TO: -
MATERIAL: -	FINISH: -	CUSTOMER DRAWING	SCALE: 6:1 SHEET 2 OF 3 REV: G1

LOC		DIST		REVISIONS			
ES	00	P	LTN	DESCRIPTION	DATE	DWN	APVD
		-		SEE SHEET 1			



RECOMMENDED LAYOUT FOR
 MATING TRANSCEIVER PCB
 SCALE 6:1

THIS DRAWING IS A CONTROLLED DOCUMENT.		DWN R. HENRY	11APR03		TE Connectivity
DIMENSIONS:		CHK J. KOPPENHEFFER	23JAN04		
mm	TOLERANCES UNLESS OTHERWISE SPECIFIED:	APVD M. WALMSLEY	23JAN04	NAME CAGE AND PT CONNECTOR ASSEMBLY, 2x1, PRESS FIT, LOW PROFILE, SFP	
0 PLC ±	1 PLC ±	PRODUCT SPEC		SIZE CAGE CODE DRAWING NO	
2 PLC ±0.1	3 PLC ±	APPLICATION SPEC		RESTRICTED TO	
4 PLC ±	ANGLES ±	114-13103		A100779C=1658628	
MATERIAL	FINISH	WEIGHT		SCALE 1:1 SHEET 3 OF 3 REV G1	
		CUSTOMER DRAWING			