

TPS62750EVM-413

This user's guide describes the characteristics, operation, and use of the TPS62750EVM-413 evaluation module (EVM). This user's guide includes setup instructions, schematic diagram, bill of materials, and printed-circuit board (PCB) layout drawings for the EVM. The EVM features the 2.5-mm x 2.5-mm, 10-pin SON package (DSK) on a 40-mm X 32-mm (1.6-inch x 1.2-inch) PCB.

1 Introduction

The TPS62750EVM-413 evaluation module (EVM) helps designers evaluate the operation and performance of the TPS62750 step-down converter. This EVM demonstrates the Texas Instruments TPS62750 2.25-MHz, synchronous, step-down converter for power devices from USB or current-limited inputs. The TPS62750 output is adjustable from 0.8 V to 85% of V_{in} , and the maximum V_{in} is 6 V. Output current is determined by input, output voltage, and switch current limit of 1500 mA, but at 5 V in and 3.6 V out the output current is up to 750 mA. Unique features of the TPS62750 is an adjustable input current limit set by two onboard resistors. The Current Select jumper allows selection of a high- or low-input current setting. The Enable jumper is provided to turn the device on and off.

1.1 Related Documentation From Texas Instruments

TPS62750, High-Efficiency, Step-Down Converter for USB Applications data sheet ([SLVS955](#))

2 Setup

This section describes the jumpers and connectors on the EVM as well as how to properly connect, set up, and use the TPS62750EVM-413. The capacitor C4 position provides the option for additional input filtering, if desired.

2.1 J1/J3 – Input Connections

This is the connections for the input supply voltage. Connect the positive connection to J1 and the negative connection to GND J3. Twist the leads to the input supply and keep them as short as possible to minimize EMI transmission connection for the leads from the input source.

2.2 J4/J6 – Output Connections

This is the connections for the output. Connect the positive connection of the load to J4 and negative connection to GND J6.

2.3 J2/J5 – V_{in} Sense and V_{out} Sense

The two connectors are not installed, but if accurate measurements of the input or output are required, J2 or J5 can be installed for the measurements. Traces on the printed-circuit board (PCB) connect to the input or output capacitor and run independent of the output and ground lines to the two connectors. Note these traces are low current sense lines and must not be used as input or output.

2.4 JP1 – EN (ENABLE)

This jumper enables or disables the converter. Connecting the shorting jumper between EN and ON enables the converter. Connecting the shorting jumper between EN and OFF disables the converter. Do not leave this pin floating.

2.5 JP2 – Current Select

This jumper sets the input current selection from high to low. Resistor R3 sets low-input current and resistor R4 sets high-input current. The EVM is set for 100 mA in low position and 500 mA in high position. Do not leave this pin floating.

3 Operation

Connect the positive input power supply to the pins J1, and connect the input power return (ground) to the GND pins on J3. The TPS62750EVM-413 has a maximum input voltage and operating voltage of 6 V.

Connect the desired load between the Vogt pin, J4 and GND pins J6. The TPS62750 EVM is set for 3.6 V out and maximum current can be up to 2 A at high-input voltage.

Configure jumpers JP1 to turn the device On or Off. Configure jumper JP4 to select high- or low-input current.

4 Test Results

This section provides typical performance waveforms using the TPS62750EVM-413 PCB.

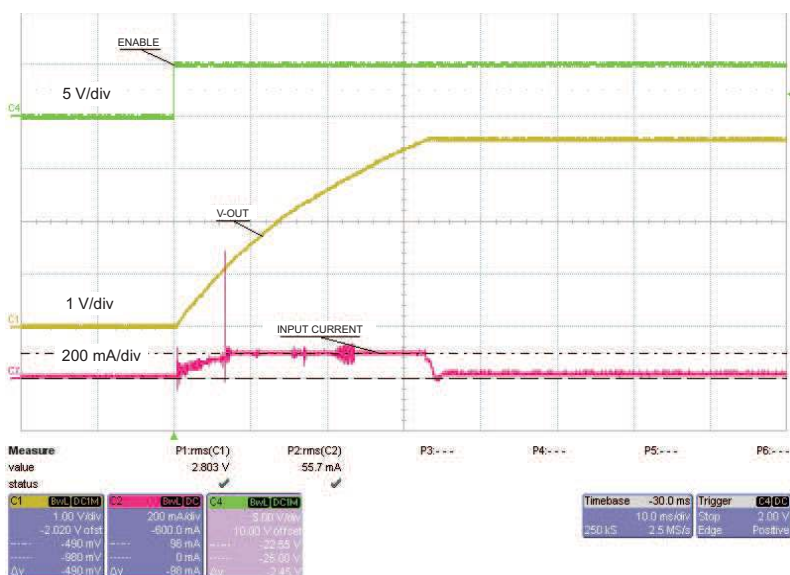


Figure 1. Turnon With Enable and Current Limit Set to Low, Time Base 10 ms

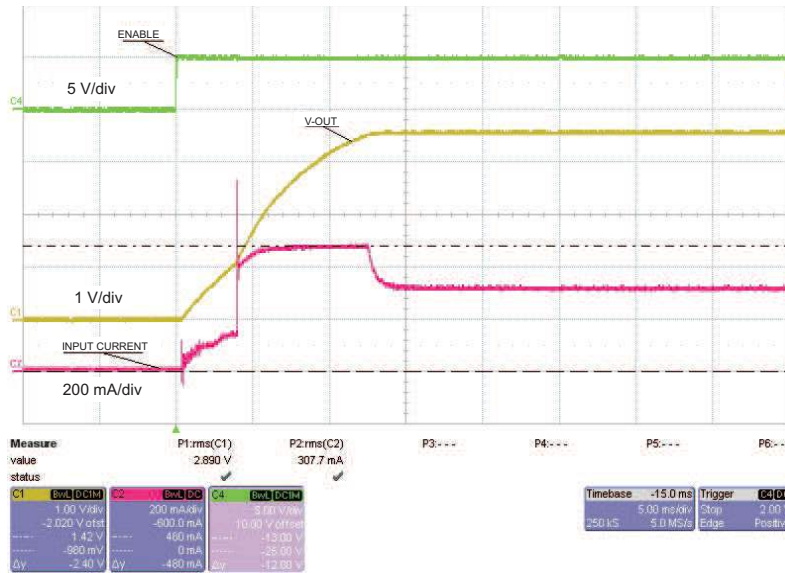


Figure 2. Turnon With Enable and Current Limit Set to High, Time Base 5 ms

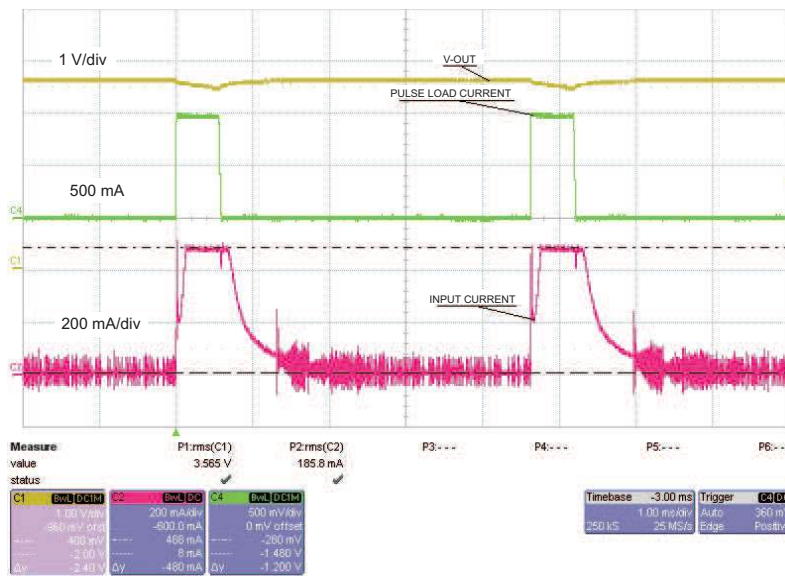


Figure 3. 1-A Pulse Load With Current Limit Set to High, Pulse 577 μ s at 216 Hz, Time Base 1 ms

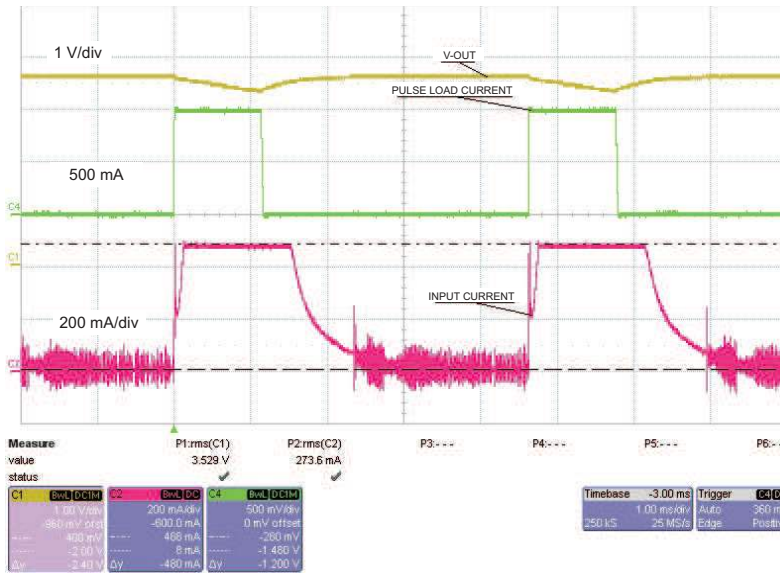


Figure 4. 1-A Pulse Load With Current Limit Set to High, Pulse 1154 μ s at 216 Hz, Time Base 1 ms

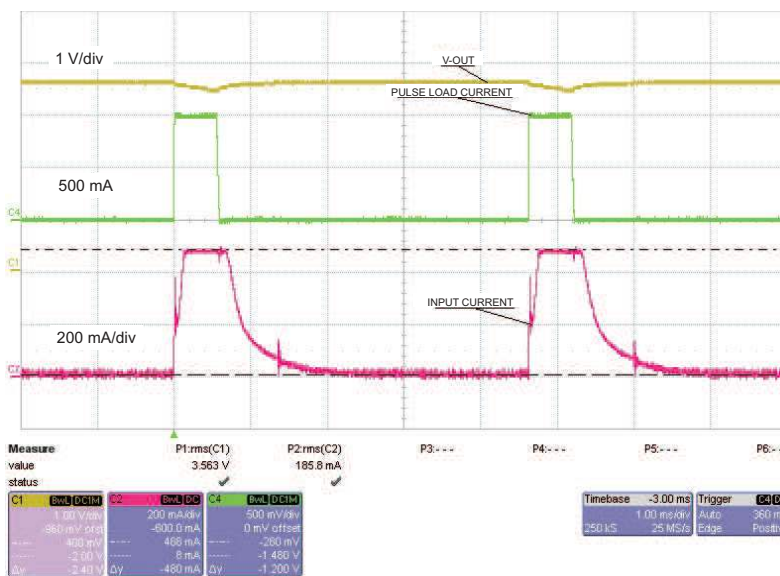


Figure 5. C4 Added 47 μ F, 1-A Pulse Load With Current Limit Set to High, Pulse 577 μ s at 216 Hz, Time Base 1 ms

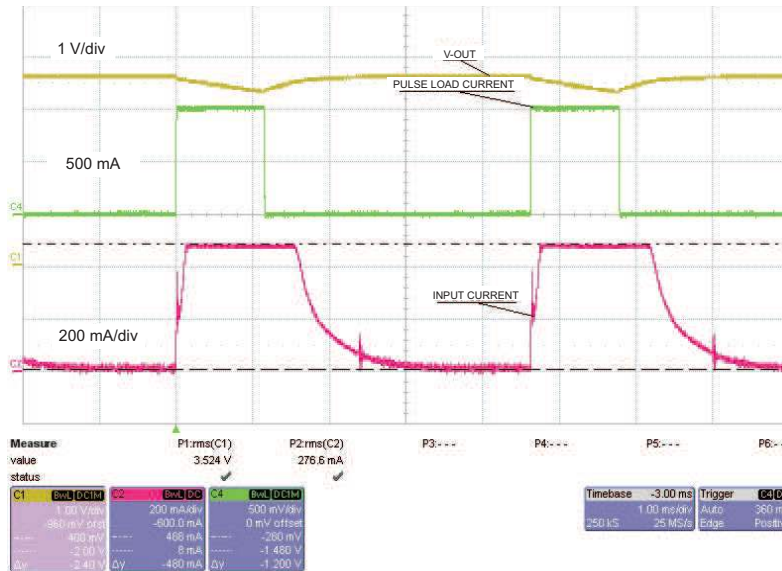


Figure 6. C4 Added 47 μ F, 1-A Pulse Load With Current Limit Set to High, Pulse 1154 μ s at 216 Hz, Time Base 1 ms

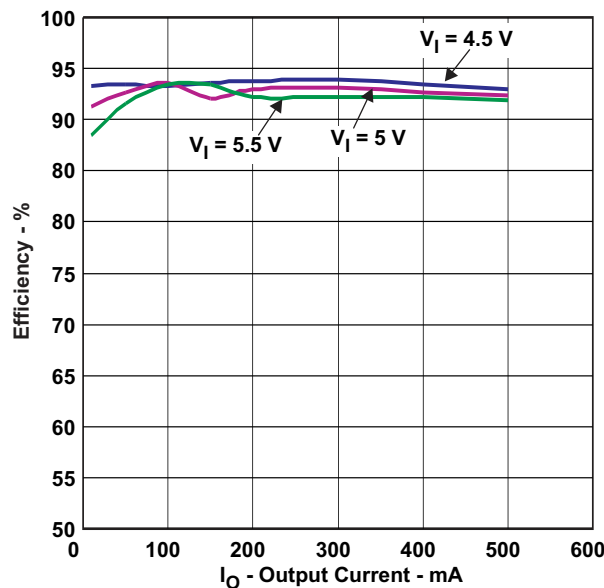


Figure 7. Efficiency With Current Limit Set to High, V_{in} 5 V, 4.5 V, and 5.5 V

5 Board Layout, Schematic, and Bill of Materials

This section provides the TPS62750EVM-413 board layout, schematic, and bill of materials.

5.1 Board Layout

Board layout is critical for all high-frequency, switch-mode power supplies. If the layout is not carefully done, the regulator can show stability and EMI problems. Therefore, use wide and short traces for the main current path and for the power ground tracks. The input and output capacitor, as well as the inductor, must be placed as close as possible to the integrated circuit. Use a common ground node for power ground to minimize the effects of ground noise. Figure 8 through Figure 10 show the board layout for the TPS62750EVM-413 PCB.

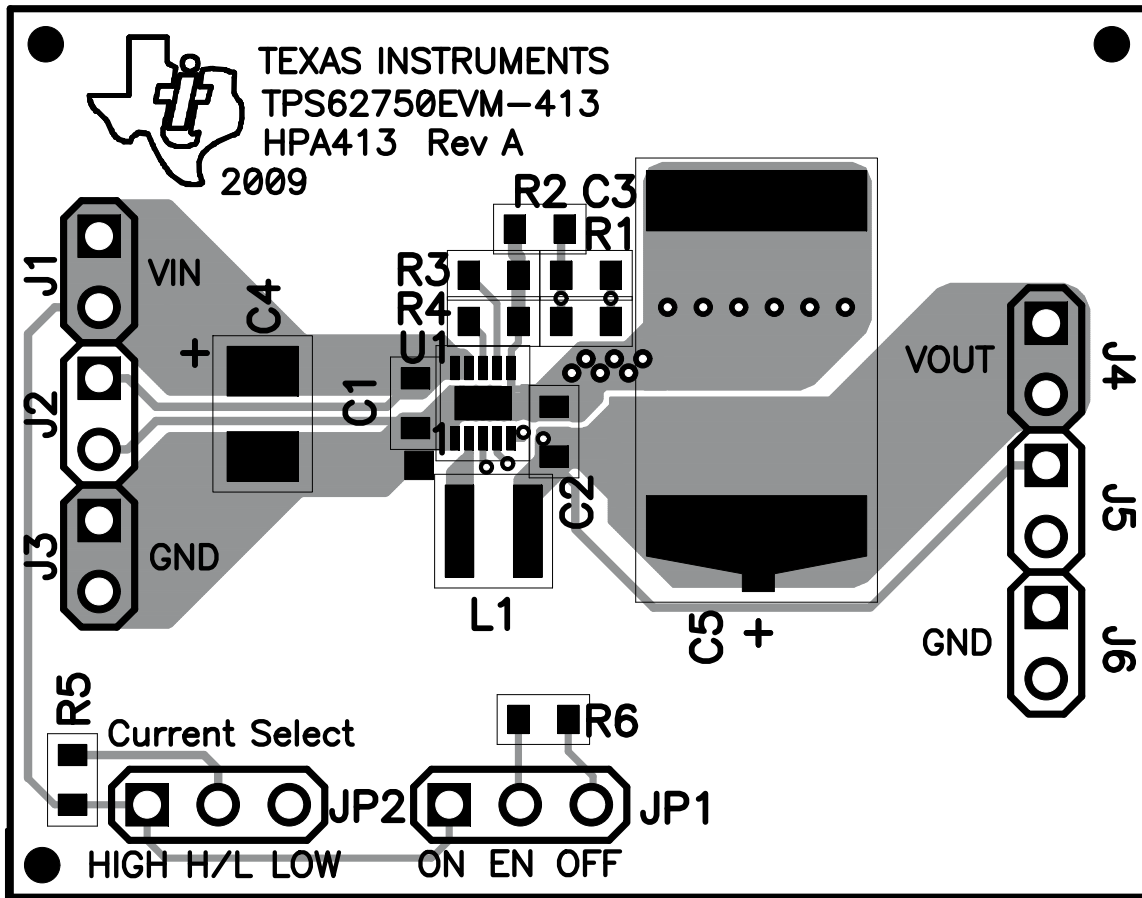


Figure 8. Top Assembly Layer

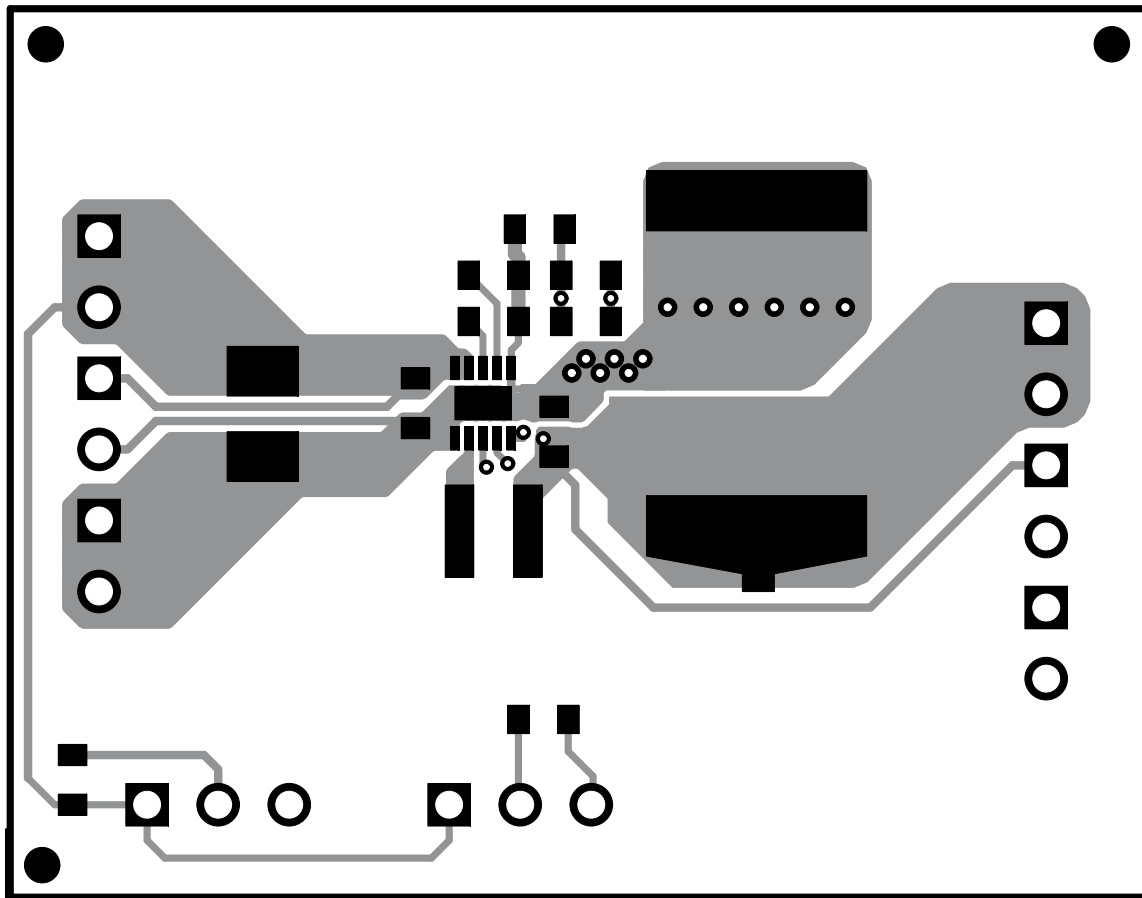


Figure 9. Top Layer

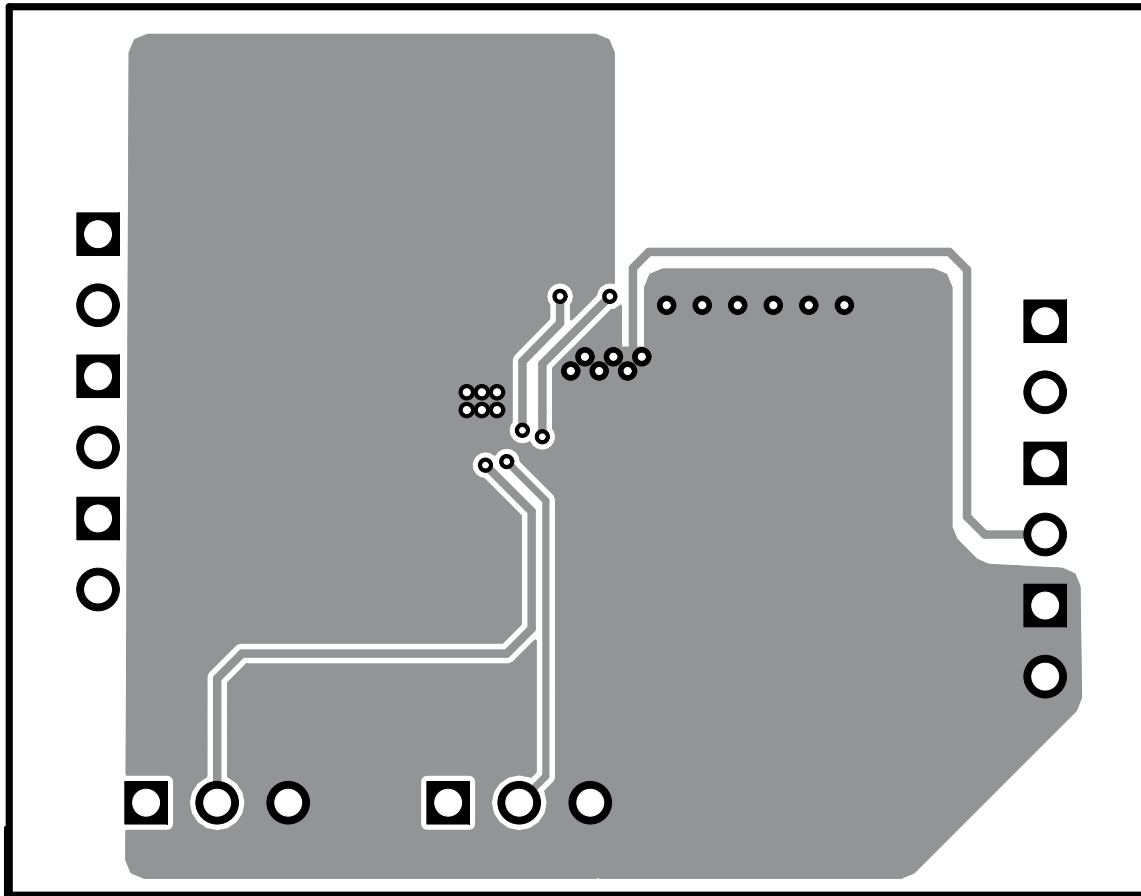


Figure 10. Bottom Layer

5.2 Schematic and Bill of Materials

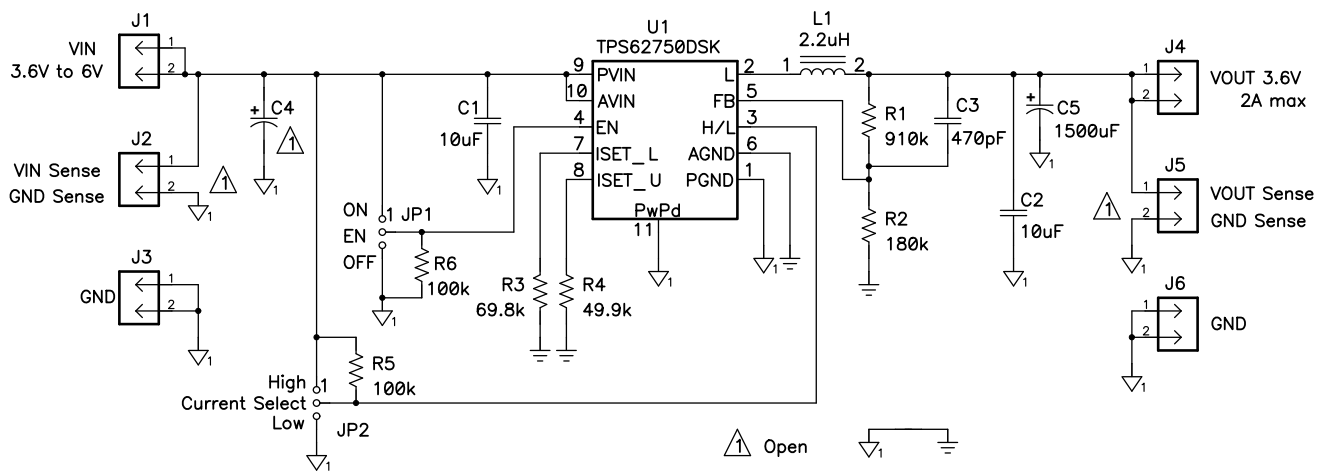


Figure 11. TPS62750EVM-413 Schematic

Table 1. Bill of Materials

Count	RefDes	Value	Description	Size	Part Number	MFR
2	C1, C2	10 μ F	Capacitor, Ceramic, 6.3V, X5R, 20%	0603	GRM188R60J106M	Murata
1	C3	470pF	Capacitor, Ceramic, 50V, C0G, \pm 0.5pF	0603	C1608C0G1H471J	TDK
0	C4	Open	Capacitor, Bulk	3528(B)	Std	Std
1	C5	1500 μ F	Capacitor, Tantalum, 6.3V, 20%	X Code	592D158X06R3X2T25H	Vishay
1	L1	2.2 μ H	Inductor, SMT, 2.0A, 110 milliohm	0.118 x 0.118 inch	LPS3015-222ML	Coilcraft
1	R1	910k	Resistor, Chip, 1/16W, 1%	0603	Std	Std
1	R2	180k	Resistor, Chip, 1/16W, 1%	0603	Std	Std
1	R3	69.8k	Resistor, Chip, 1/16W, 1%	0603	Std	Std
1	R4	49.9k	Resistor, Chip, 1/16W, 1%	0603	Std	Std
2	R5, R6	100k	Resistor, Chip, 1/16W, 1%	0603	Std	Std
1	U1	TPS62750DSK	IC, High Efficiency Step-Down Converter	DSK	TPS62750DSK	TI

EVALUATION BOARD/KIT IMPORTANT NOTICE

Texas Instruments (TI) provides the enclosed product(s) under the following conditions:

This evaluation board/kit is intended for use for **ENGINEERING DEVELOPMENT, DEMONSTRATION, OR EVALUATION PURPOSES ONLY** and is not considered by TI to be a finished end-product fit for general consumer use. Persons handling the product(s) must have electronics training and observe good engineering practice standards. As such, the goods being provided are not intended to be complete in terms of required design-, marketing-, and/or manufacturing-related protective considerations, including product safety and environmental measures typically found in end products that incorporate such semiconductor components or circuit boards. This evaluation board/kit does not fall within the scope of the European Union directives regarding electromagnetic compatibility, restricted substances (RoHS), recycling (WEEE), FCC, CE or UL, and therefore may not meet the technical requirements of these directives or other related directives.

Should this evaluation board/kit not meet the specifications indicated in the User's Guide, the board/kit may be returned within 30 days from the date of delivery for a full refund. **THE FOREGOING WARRANTY IS THE EXCLUSIVE WARRANTY MADE BY SELLER TO BUYER AND IS IN LIEU OF ALL OTHER WARRANTIES, EXPRESSED, IMPLIED, OR STATUTORY, INCLUDING ANY WARRANTY OF MERCHANTABILITY OR FITNESS FOR ANY PARTICULAR PURPOSE.**

The user assumes all responsibility and liability for proper and safe handling of the goods. Further, the user indemnifies TI from all claims arising from the handling or use of the goods. Due to the open construction of the product, it is the user's responsibility to take any and all appropriate precautions with regard to electrostatic discharge.

EXCEPT TO THE EXTENT OF THE INDEMNITY SET FORTH ABOVE, NEITHER PARTY SHALL BE LIABLE TO THE OTHER FOR ANY INDIRECT, SPECIAL, INCIDENTAL, OR CONSEQUENTIAL DAMAGES.

TI currently deals with a variety of customers for products, and therefore our arrangement with the user **is not exclusive.**

TI assumes **no liability for applications assistance, customer product design, software performance, or infringement of patents or services described herein.**

Please read the User's Guide and, specifically, the Warnings and Restrictions notice in the User's Guide prior to handling the product. This notice contains important safety information about temperatures and voltages. For additional information on TI's environmental and/or safety programs, please contact the TI application engineer or visit www.ti.com/esh.

No license is granted under any patent right or other intellectual property right of TI covering or relating to any machine, process, or combination in which such TI products or services might be or are used.

FCC Warning

This evaluation board/kit is intended for use for **ENGINEERING DEVELOPMENT, DEMONSTRATION, OR EVALUATION PURPOSES ONLY** and is not considered by TI to be a finished end-product fit for general consumer use. It generates, uses, and can radiate radio frequency energy and has not been tested for compliance with the limits of computing devices pursuant to part 15 of FCC rules, which are designed to provide reasonable protection against radio frequency interference. Operation of this equipment in other environments may cause interference with radio communications, in which case the user at his own expense will be required to take whatever measures may be required to correct this interference.

EVM WARNINGS AND RESTRICTIONS

It is important to operate this EVM within the input voltage range of 2.9 V to 6 V and the output voltage range of 0.8 V to 5 V.

Exceeding the specified input range may cause unexpected operation and/or irreversible damage to the EVM. If there are questions concerning the input range, please contact a TI field representative prior to connecting the input power.

Applying loads outside of the specified output range may result in unintended operation and/or possible permanent damage to the EVM. Please consult the EVM User's Guide prior to connecting any load to the EVM output. If there is uncertainty as to the load specification, please contact a TI field representative.

During normal operation, some circuit components may have case temperatures greater than 50°C. The EVM is designed to operate properly with certain components above 60°C as long as the input and output ranges are maintained. These components include but are not limited to linear regulators, switching transistors, pass transistors, and current sense resistors. These types of devices can be identified using the EVM schematic located in the EVM User's Guide. When placing measurement probes near these devices during operation, please be aware that these devices may be very warm to the touch.

Mailing Address: Texas Instruments, Post Office Box 655303, Dallas, Texas 75265
Copyright © 2009, Texas Instruments Incorporated

IMPORTANT NOTICE

Texas Instruments Incorporated and its subsidiaries (TI) reserve the right to make corrections, modifications, enhancements, improvements, and other changes to its products and services at any time and to discontinue any product or service without notice. Customers should obtain the latest relevant information before placing orders and should verify that such information is current and complete. All products are sold subject to TI's terms and conditions of sale supplied at the time of order acknowledgment.

TI warrants performance of its hardware products to the specifications applicable at the time of sale in accordance with TI's standard warranty. Testing and other quality control techniques are used to the extent TI deems necessary to support this warranty. Except where mandated by government requirements, testing of all parameters of each product is not necessarily performed.

TI assumes no liability for applications assistance or customer product design. Customers are responsible for their products and applications using TI components. To minimize the risks associated with customer products and applications, customers should provide adequate design and operating safeguards.

TI does not warrant or represent that any license, either express or implied, is granted under any TI patent right, copyright, mask work right, or other TI intellectual property right relating to any combination, machine, or process in which TI products or services are used. Information published by TI regarding third-party products or services does not constitute a license from TI to use such products or services or a warranty or endorsement thereof. Use of such information may require a license from a third party under the patents or other intellectual property of the third party, or a license from TI under the patents or other intellectual property of TI.

Reproduction of TI information in TI data books or data sheets is permissible only if reproduction is without alteration and is accompanied by all associated warranties, conditions, limitations, and notices. Reproduction of this information with alteration is an unfair and deceptive business practice. TI is not responsible or liable for such altered documentation. Information of third parties may be subject to additional restrictions.

Resale of TI products or services with statements different from or beyond the parameters stated by TI for that product or service voids all express and any implied warranties for the associated TI product or service and is an unfair and deceptive business practice. TI is not responsible or liable for any such statements.

TI products are not authorized for use in safety-critical applications (such as life support) where a failure of the TI product would reasonably be expected to cause severe personal injury or death, unless officers of the parties have executed an agreement specifically governing such use. Buyers represent that they have all necessary expertise in the safety and regulatory ramifications of their applications, and acknowledge and agree that they are solely responsible for all legal, regulatory and safety-related requirements concerning their products and any use of TI products in such safety-critical applications, notwithstanding any applications-related information or support that may be provided by TI. Further, Buyers must fully indemnify TI and its representatives against any damages arising out of the use of TI products in such safety-critical applications.

TI products are neither designed nor intended for use in military/aerospace applications or environments unless the TI products are specifically designated by TI as military-grade or "enhanced plastic." Only products designated by TI as military-grade meet military specifications. Buyers acknowledge and agree that any such use of TI products which TI has not designated as military-grade is solely at the Buyer's risk, and that they are solely responsible for compliance with all legal and regulatory requirements in connection with such use.

TI products are neither designed nor intended for use in automotive applications or environments unless the specific TI products are designated by TI as compliant with ISO/TS 16949 requirements. Buyers acknowledge and agree that, if they use any non-designated products in automotive applications, TI will not be responsible for any failure to meet such requirements.

Following are URLs where you can obtain information on other Texas Instruments products and application solutions:

Products

Amplifiers	amplifier.ti.com
Data Converters	dataconverter.ti.com
DLP® Products	www.dlp.com
DSP	dsp.ti.com
Clocks and Timers	www.ti.com/clocks
Interface	interface.ti.com
Logic	logic.ti.com
Power Mgmt	power.ti.com
Microcontrollers	microcontroller.ti.com
RFID	www.ti-rfid.com
RF/IF and ZigBee® Solutions	www.ti.com/lprf

Applications

Audio	www.ti.com/audio
Automotive	www.ti.com/automotive
Broadband	www.ti.com/broadband
Digital Control	www.ti.com/digitalcontrol
Medical	www.ti.com/medical
Military	www.ti.com/military
Optical Networking	www.ti.com/opticalnetwork
Security	www.ti.com/security
Telephony	www.ti.com/telephony
Video & Imaging	www.ti.com/video
Wireless	www.ti.com/wireless

Mailing Address: Texas Instruments, Post Office Box 655303, Dallas, Texas 75265
Copyright © 2009, Texas Instruments Incorporated