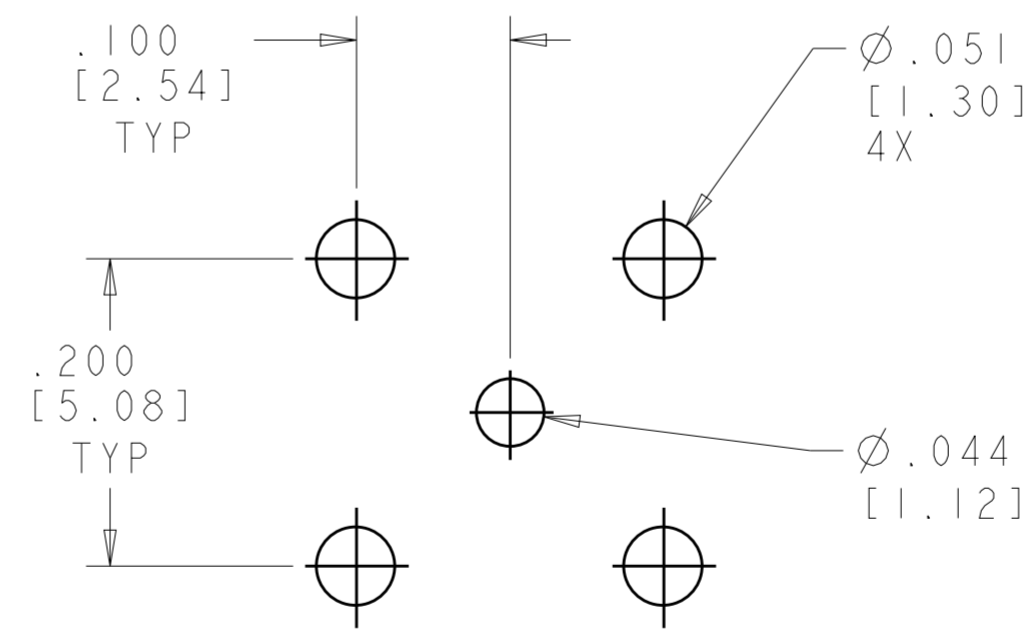
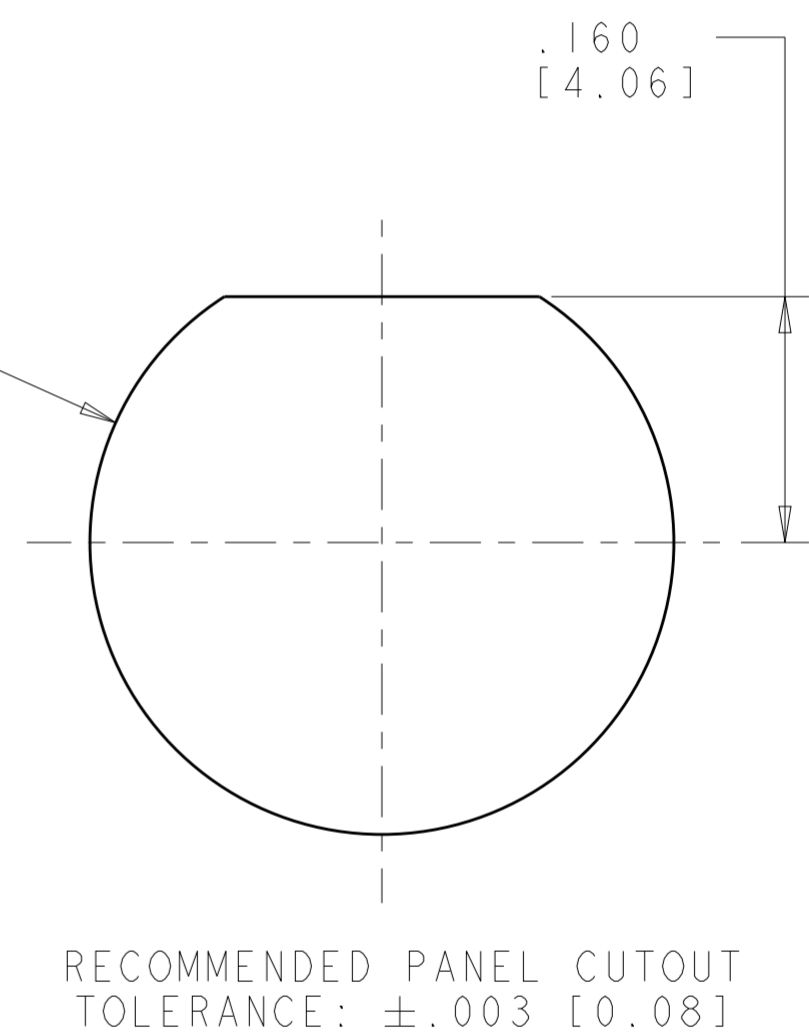
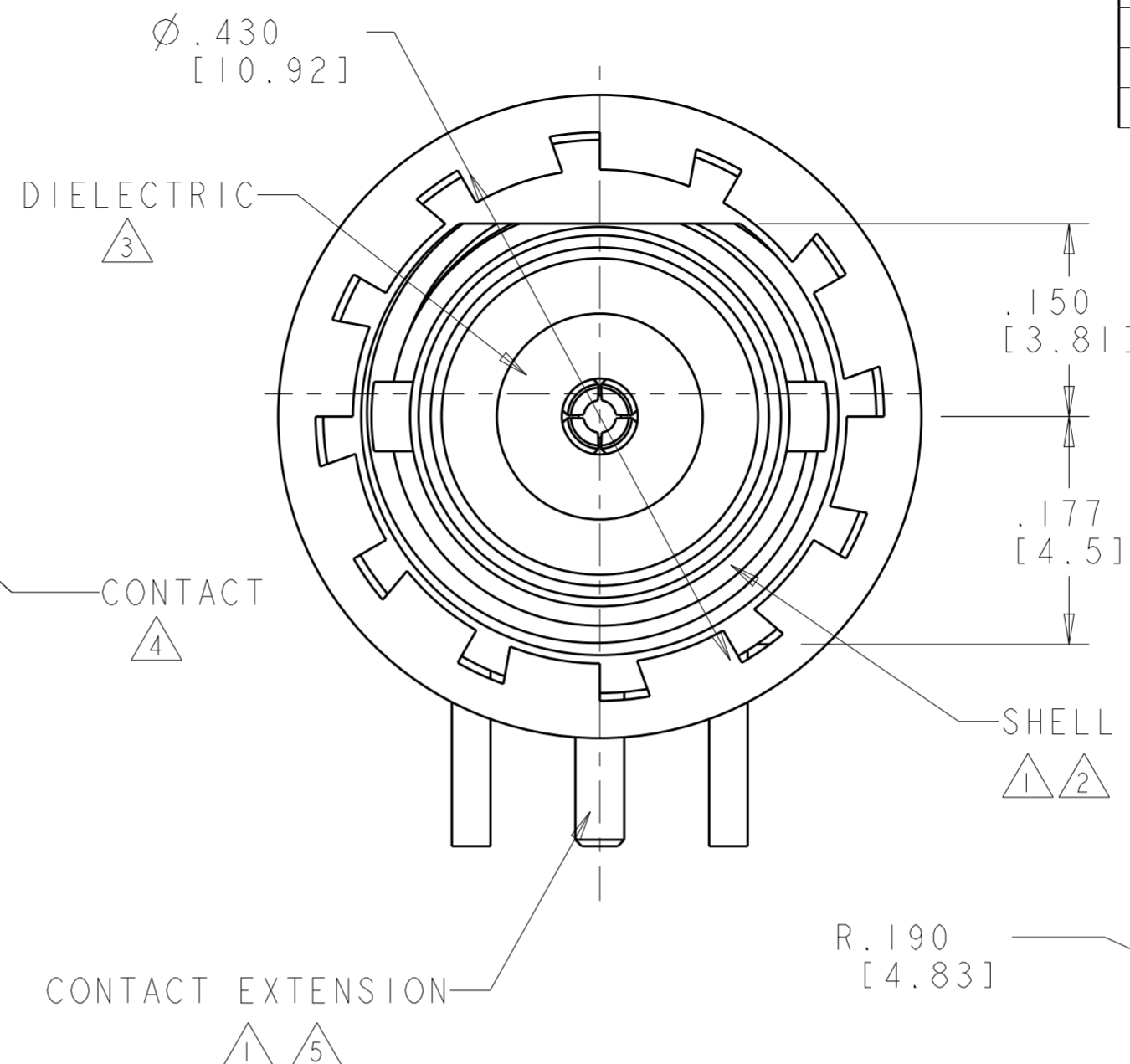
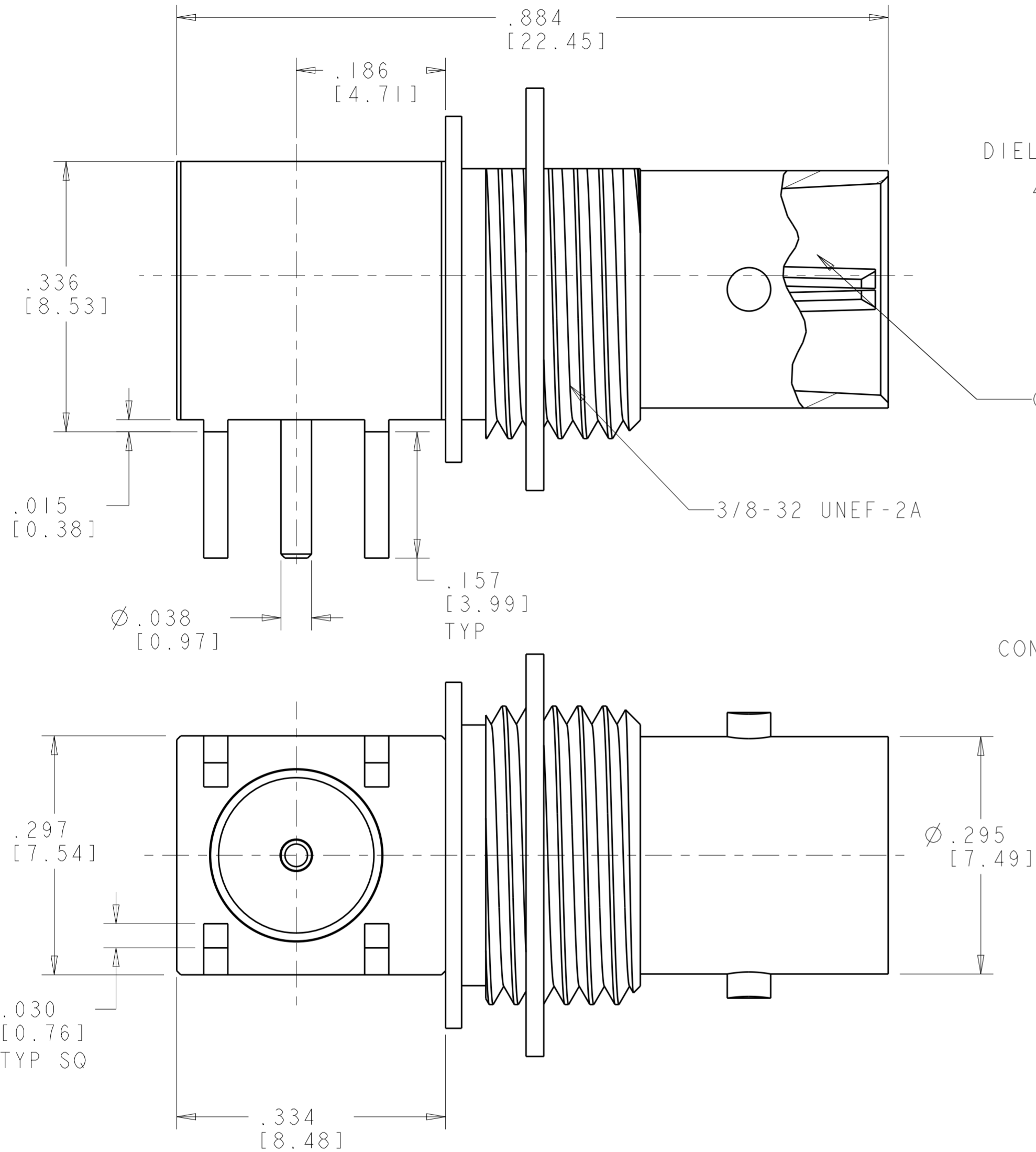


REVISIONS					
P	LTR	DESCRIPTION	DATE	DWN	APVD
D		REVISED PER ECO-06-020656	09OCT2006	KS	KW
DI		REVISED PER ECR-20-004984	03APR2020	RZ	RS



RECOMMENDED PCB LAYOUT TOLERANCE: ±.003 [0.08]

- ① BRASS PER ASTM-B-16
- ② NICKEL PLATE PER QQ-N-290
- ③ PTFE PER ASTM-D-1710
- ④ PHOSPHOR BRONZE PER ASTM-B-139
- ⑤ GOLD PLATE PER ASTM-B488, 75µm INCHES [0.0019mm] MINIMUM THICKNESS
- ⑥ GOLD PLATE PER ASTM-B488

	⑤	1274629-2
OBSOLETE	⑥	1274629-1
CONTACT FINISH		PART NUMBER

THIS DRAWING IS A CONTROLLED DOCUMENT.		DWN K. WEIDNER 30 JUL 2003	TE Connectivity	
DIMENSIONS: INCHES [mm]		CHK G. MICHAEL 08 JAN 2004	NAME JACK, R/A, BULKHEAD, PCB, MINI BNC	
TOLERANCES UNLESS OTHERWISE SPECIFIED:		APVD K. WEIDNER 03 MAR 2004	SIZE A200779	
0 PLC ±		PRODUCT SPEC 108-2159	DRAWING NO C-1274629	
1 PLC ±		APPLICATION SPEC	RESTRICTED TO	
2 PLC ±		WEIGHT	SCALE 8:1	
3 PLC ±.005 [0.13]			SHEET 1 OF 1	
4 PLC ±			REV DI	
ANGLES ±2°				
FINISH				
MATERIAL material_2	finish_spec_2	CUSTOMER DRAWING		