

DRAWING MADE IN THIRD ANGLE PROJECTION

3

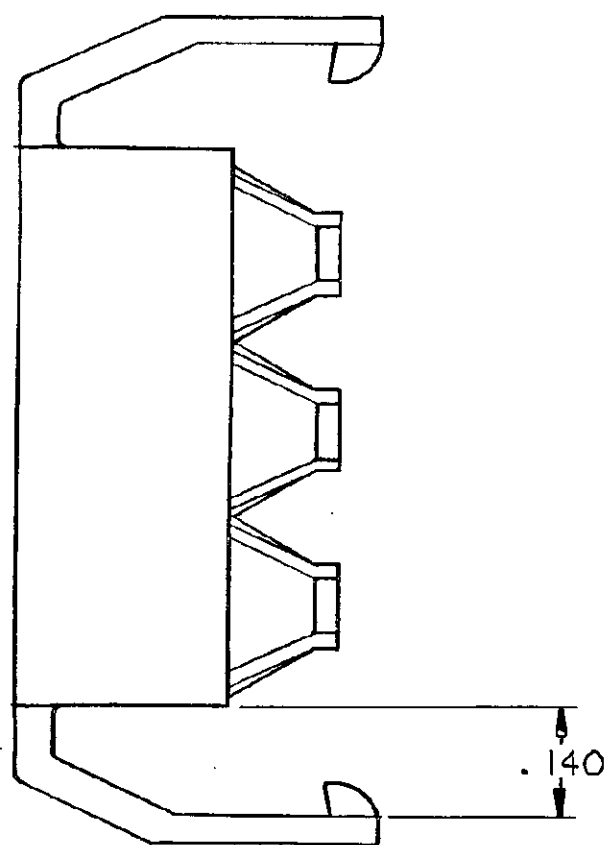
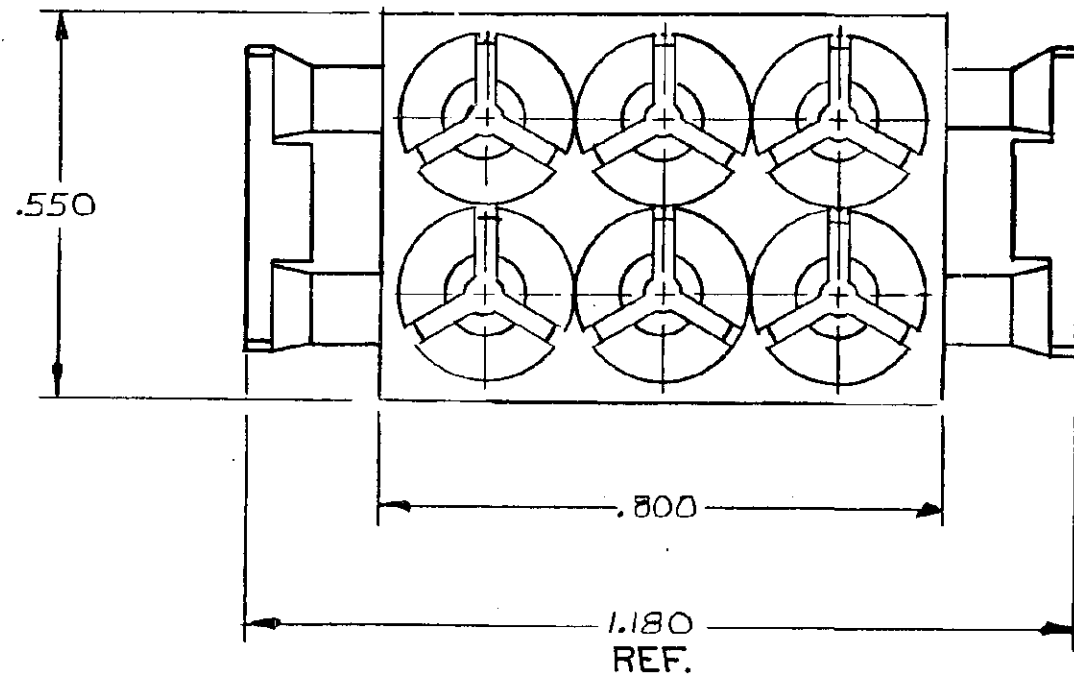
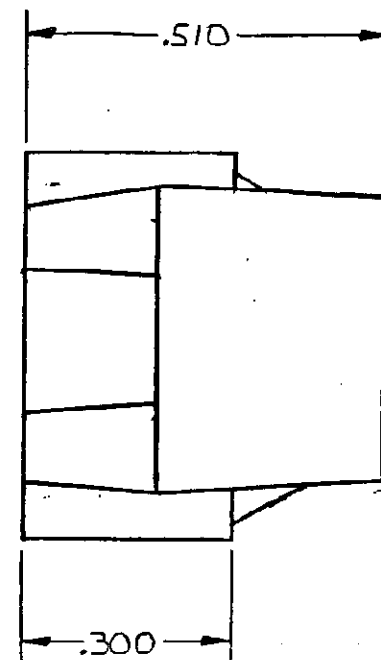
2

1

LOC CM 53 DIST 53

THIS DRAWING IS UNPUBLISHED. RELEASED FOR PUBLICATION  
 © COPYRIGHT 19 BY AMP INCORPORATED, HARRISBURG, PA. ALL INTERNATIONAL RIGHTS RESERVED. AMP PRODUCTS MAY BE COVERED BY U.S. AND FOREIGN PATENTS AND/OR PATENTS PENDING.

P	F	ZONE	LTR	DESCRIPTION	DATE	APPROVED
✓	✓		D	RELEASE DRAWING PER T.T.I. 82-82	7/14/82	MSF/EN
✓	✓		A	REVISED M-7087, M-7105	8/21/82	DAS/DH
✓	✓		B	REVISED NAME, M-7223	1/3/83	DAS/DH
✓	✓		B1	RESTORATION	8-3-85	SS/KS
✓	✓		C	REVISE PER CM-1282	10-26-87	PH/RS
✓	✓		D	REVISED PER CM-1489	5-24-88	PH/RS
✓	✓		E	REVISED PER CM 2704	1-30-90	TB/RS
✓	✓		F	REV PER EC 0730-0054-95	3-30-95	JH/RS



- ASSEMBLY INSTRUCTIONS:  
 SNAP MODULE ONTO HOUSING;  
 FULLY INSERT CONTACTS THRU MODULE AND INTO HOUSING (NOTE: SEVERAL CLICKS CAN BE HEARD AS THE CONTACT IS PUSHED IN PLACE),  
 DISENGAGE LATCHES ON MODULE AND SLIDE BACK FROM END OF HOUSING;  
 CHECK FOR ANY CONTACTS NOT FULLY INSERTED INTO HOUSING; INSERT ANY CONTACTS NOT LOCKED IN HOUSING,  
 PUSH MODULE BACK AGAINST HOUSING UNTIL LATCHES ARE ENGAGED.
- MODULE WILL ACCEPT MAXIMUM WIRE OUTSIDE DIA OF .160.

643253-1

PART NO

UNLESS OTHERWISE SPECIFIED DIMENSIONS ARE IN INCHES. TOLERANCES ON: DECIMALS ±.015 ANGLES ±	CONTRACT NO	AMP   AMP INCORPORATED Harrisburg, Pa. 17105	
	DR M. Felton 7-14-82	NAME	
MATERIAL NYLON 94V-0	CHK C. A. / 7-22-82	ASSEMBLY MODULE, UNIVERSAL MATE-N-LOK™, 6 CIRCUIT	
FINISH	APPD C. A. / 7-14-82	SIZE C	FSCM NO 00779
	OSGN APPD	DRAWING NO 643253	
	OTHER APPD	SCALE 4-1	SHEET