

215570-6 ✓ ACTIVE

Micro-MaTch | Micro-MaTch Industrial

TE Internal #: 215570-6

PCB Mount Paddleboard Connector, Vertical, Cable-to-Board, 6 Position, .05 in [1.27 mm] Centerline, Ribbon Cable, Micro-MaTch Industrial

[View on TE.com >](#)



[Connectors](#) > [PCB Connectors](#) > [Board-In Connectors](#) > [Paddle Board Connector](#)



PCB Connector Assembly Type: **PCB Mount Paddleboard Connector**

PCB Mount Orientation: **Vertical**

Connector System: **Cable-to-Board**

Number of Positions: **6**

Centerline (Pitch): **1.27 mm [.05 in]**

[All Paddle Board Connector \(20\)](#)

Features

Product Type Features

| | |
|-----------------------------------|-------------------------------------|
| PCB Connector Assembly Type | PCB Mount Paddleboard Connector |
| Connector System | Cable-to-Board |
| Connector & Contact Terminates To | Printed Circuit Board, Wire & Cable |

Configuration Features

| | |
|-----------------------------------|--------------|
| Wire Entry Location | Top |
| PCB Mount Orientation | Vertical |
| Number of Positions | 6 |
| Compatible With Wire & Cable Type | Ribbon Cable |
| Number of Rows | 2 |

Electrical Characteristics

| | |
|-----------------------|---------|
| Insulation Resistance | 1000 MΩ |
| Operating Voltage | 100 VAC |

Body Features

| | |
|-----------------------|-----|
| Primary Product Color | Red |
|-----------------------|-----|

Contact Features

| | |
|---|-------------------------------|
| PCB Contact Termination Area Plating Material Thickness | 3 – 5 μm[118.11 – 196.85 μin] |
|---|-------------------------------|



| | |
|---|---|
| Wire Contact Termination Area Plating Thickness | 1 μm [39.37 μin] |
|---|---|

| | |
|---|-------|
| Wire Contact Termination Area Plating Material Finish | Matte |
|---|-------|

| | |
|--|-----|
| Wire Contact Termination Area Plating Material | Tin |
|--|-----|

| | |
|--|-------|
| PCB Contact Termination Area Plating Material Finish | Matte |
|--|-------|

| | |
|-------------------------------|--------|
| Contact Underplating Material | Nickel |
|-------------------------------|--------|

| | |
|---|-----|
| PCB Contact Termination Area Plating Material | Tin |
|---|-----|

| | |
|-----------------------|-----------------|
| Contact Base Material | Phosphor Bronze |
|-----------------------|-----------------|

| | |
|------------------------------|-------|
| Contact Current Rating (Max) | 1.5 A |
|------------------------------|-------|

Termination Features

| | |
|---|---------------|
| Rectangular Termination Post & Tail Thickness | .5 mm[.02 in] |
|---|---------------|

| | |
|---|----------------|
| Rectangular Termination Post & Tail Width | .4 mm[.015 in] |
|---|----------------|

| | |
|--------------------------------|-----------------|
| Termination Post & Tail Length | 3.2 mm[.125 in] |
|--------------------------------|-----------------|

| | |
|---|-----------------------|
| Termination Method to Printed Circuit Board | Through Hole - Solder |
|---|-----------------------|

Mechanical Attachment

| | |
|--------------------------|---------------------|
| PCB Mount Retention Type | Kinked Solder Tails |
|--------------------------|---------------------|

| | |
|---------------------|------|
| PCB Mount Alignment | With |
|---------------------|------|

| | |
|---------------------|------|
| PCB Mount Retention | With |
|---------------------|------|

Housing Features

| | |
|--------------------|-----------------|
| Centerline (Pitch) | 1.27 mm[.05 in] |
|--------------------|-----------------|

| | |
|------------------|--------|
| Housing Material | PBT GF |
|------------------|--------|

Dimensions

| | |
|------------------|------------------|
| Connector Length | 11.1 mm[.437 in] |
|------------------|------------------|

| | |
|------------------|---------------|
| Connector Height | 5.1 mm[.2 in] |
|------------------|---------------|

| | |
|--------------------|---------------|
| Row-to-Row Spacing | 2 mm[.059 in] |
|--------------------|---------------|

| | |
|--------------------------------------|---------------------------|
| Compatible Insulation Diameter Range | .8 – 1 mm[.035 – .039 in] |
|--------------------------------------|---------------------------|

| | |
|-----------|---------------------------|
| Wire Size | .08 – .09 mm ² |
|-----------|---------------------------|

Usage Conditions

| | |
|-----------------------------|----------------------------|
| Operating Temperature Range | -40 – 105 °C[-40 – 221 °F] |
|-----------------------------|----------------------------|

Operation/Application

| | |
|------------------------|----------------|
| Solder Process Feature | Board Standoff |
|------------------------|----------------|

| | |
|---------------------|--------|
| Circuit Application | Signal |
|---------------------|--------|

Industry Standards



| | |
|------------------------|-----------|
| Approved Standards | UL E28476 |
| UL Flammability Rating | UL 94V-0 |

Packaging Features

| | |
|--------------------|------|
| Packaging Quantity | 2500 |
| Packaging Type | Reel |

Product Compliance

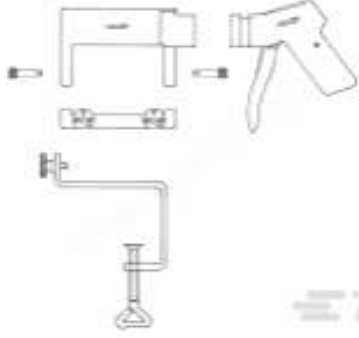
[For compliance documentation, visit the product page on TE.com>](#)

| | |
|---|--|
| EU RoHS Directive 2011/65/EU | Compliant |
| EU ELV Directive 2000/53/EC | Compliant |
| China RoHS 2 Directive MIIT Order No 32, 2016 | No Restricted Materials Above Threshold |
| EU REACH Regulation (EC) No. 1907/2006 | Current ECHA Candidate List: JUNE 2023 (235) Candidate List Declared Against: JAN 2023 (233) Does not contain REACH SVHC |
| Halogen Content | Not Low Halogen - contains Br or Cl > 900 ppm. |
| Solder Process Capability | Wave solder capable to 265°C |

Product Compliance Disclaimer

This information is provided based on reasonable inquiry of our suppliers and represents our current actual knowledge based on the information they provided. This information is subject to change. The part numbers that TE has identified as EU RoHS compliant have a maximum concentration of 0.1% by weight in homogenous materials for lead, hexavalent chromium, mercury, PBB, PBDE, DBP, BBP, DEHP, DIBP, and 0.01% for cadmium, or qualify for an exemption to these limits as defined in the Annexes of Directive 2011/65/EU (RoHS2). Finished electrical and electronic equipment products will be CE marked as required by Directive 2011/65/EU. Components may not be CE marked. Additionally, the part numbers that TE has identified as EU ELV compliant have a maximum concentration of 0.1% by weight in homogenous materials for lead, hexavalent chromium, and mercury, and 0.01% for cadmium, or qualify for an exemption to these limits as defined in the Annexes of Directive 2000/53/EC (ELV). Regarding the REACH Regulation, the information TE provides on SVHC in articles for this part number is based on the latest European Chemicals Agency (ECHA) 'Guidance on requirements for substances in articles' posted at this URL: <https://echa.europa.eu/guidance-documents/guidance-on-reach>

Compatible Parts



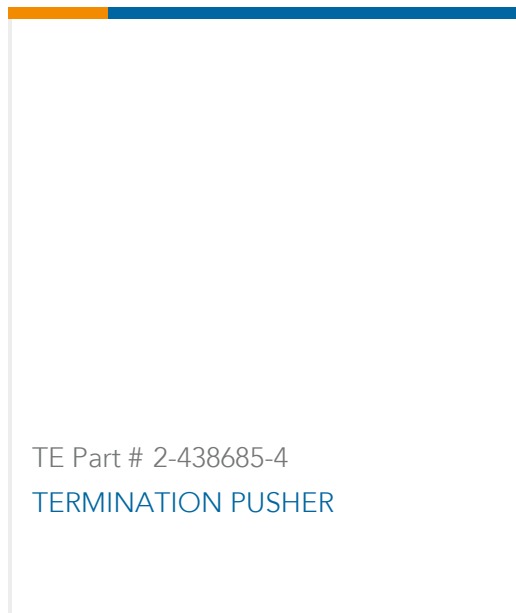
TE Part # 734155-1
Micro-MaTch HANDTOOL KIT w.o. ADAPTER



TE Part # 734024-1
Micro-MaTch ADAPTER, 4-24 POS.



TE Part # 167019-6
06P. RIBBCBL 28AWG P1.27



TE Part # 2-438685-4
TERMINATION PUSHER

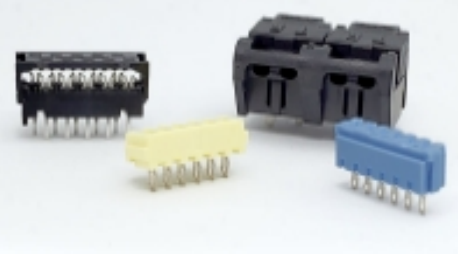


TE Part # 438685-1
TERM.PUSHER ASSY




TE Part # 677412-4
SEMI AUTO.MACHINE, MICRO-MATCH, 4-24 POS

Also in the Series | Micro-MaTch Industrial



Board-In Connectors(20)



Insertion & Extraction Tools(1)




PCB Headers & Receptacles(1)



Pluggable I/O Cable Assemblies(53)



Ribbon Cable Connectors(185)



Wire-to-Board Connector Contacts(4)

Customers Also Bought



TE Part #62181-1
187 FASTON REC 24-20 AWG TPBR



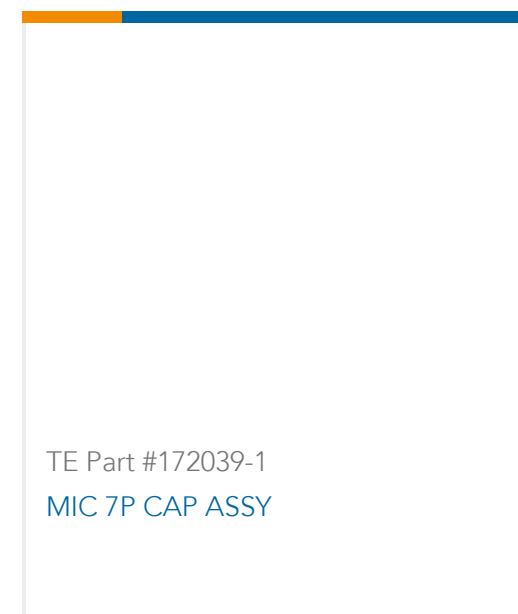
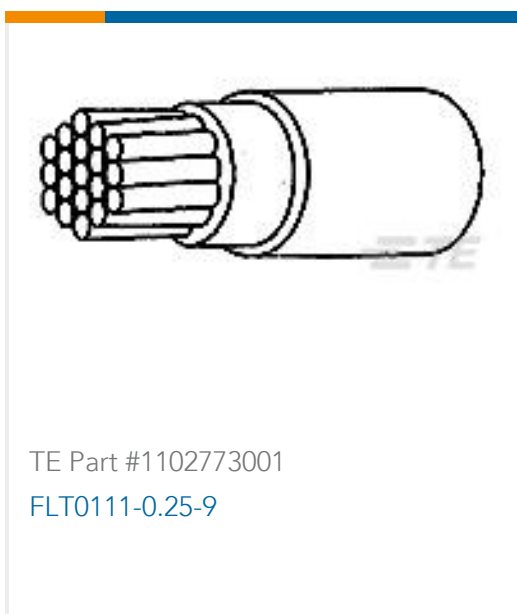
TE Part #7-2176414-8
7W STD M/OX 5% 33K



TE Part #215083-6
MICRO-MATCH MOW.06P



TE Part #2857533007
44A0111-26-3



Documents

Product Drawings

MICRO-MATCH PBC.06P

English

CAD Files

3D PDF

3D

Customer View Model

[ENG_CVM_CVM_215570-6_S.2d_dxf.zip](#)

English

Customer View Model

[ENG_CVM_CVM_215570-6_S.3d_igs.zip](#)

English

Customer View Model

[ENG_CVM_CVM_215570-6_S.3d_stp.zip](#)

English

By downloading the CAD file I accept and agree to the [Terms and Conditions](#) of use.

Datasheets & Catalog Pages

Micro-MaTch Catalog

English

Ribbon Cable Interconnect Solutions

English

Centerline Micro-Match Connector Series

English

Product Specifications



Application Specification

English

[micro match miniature connector system](#)

English

Product Environmental Compliance

[MD_215570-6_040320121039](#)

English

[MD_215570-6_040320121039](#)

English