

TECHNICAL

LISTED: UL & CSA
 RATED SUPPLY VOLTAGE: 120VAC
 RATED CURRENT: UP TO 15 AMPS
 RESET TYPE: MANUAL
 OPERATING FREQUENCY: 60 Hz
 TYPE: CLASS A
 GROUND TRIP CURRENT: 4-6 mA
 OVERLOAD CURRENT: 90 AMP 125 VAC
 INSULATION VOLTAGE: 1,500 VRMS - 1 MINUTE
 ENDURANCE OPERATIONS: 3000 OPERATIONS
 ENVIRONMENTAL RATING: RAINPROOF RATED

MATERIAL NO.	ENGINEERING NO.	DESCRIPTION
1301530140	20053W-2	20A. IN-LINE GFCI W/PLUG & BOX
1301530143	20053W-6	20A. IN-LINE GFCI W/PLUG & BOX
1301530223	130153-0223	20A. IN-LINE GFCI BOX, NO PLUG

FUNCTIONAL SYMBOLS FA = 0 FC = 0 FD = 0	THIS DRAWING CONTAINS INFORMATION THAT IS PROPRIETARY TO MOLEX ELECTRONIC TECHNOLOGIES, LLC AND SHOULD NOT BE USED WITHOUT WRITTEN PERMISSION		SCALE 1:1		CURRENT REV DESC: NEW SALES DRAWING CREATED		
	DIMENSION UNITS INCH		GENERAL TOLERANCES (UNLESS SPECIFIED)				EC NO: 690704
DIVISIONAL SYMBOLS	ANGULAR TOL ± °		4 PLACES ±		DRWN: VBASUTHKARP 2021/12/29	IN-LINE GFCI WITH WATERTITE PLUG AND PORTABLE OUTLET BOX PRODUCT CUSTOMER DRAWING	
	3 PLACES ±		2 PLACES ±		CHK'D: DNGUYEN62 2022/01/24		
	2 PLACES ±		1 PLACE ±		APPR: HKNEELAND 2022/03/03		
	1 PLACE ±		0 PLACES ±		INITIAL REVISION: DRWN: VBASUTHKARP 2021/12/29 APPR: HKNEELAND 2022/03/03		
DRAFT WHERE APPLICABLE MUST REMAIN WITHIN DIMENSIONS		THIRD ANGLE PROJECTION	DRAWING	SERIES	MATERIAL NUMBER	CUSTOMER	SHEET NUMBER
			D-SIZE	130153	SEE TABLE	GENERAL MARKET	1 OF 1

6 5 4 3 2 1

E

E

D

D

C

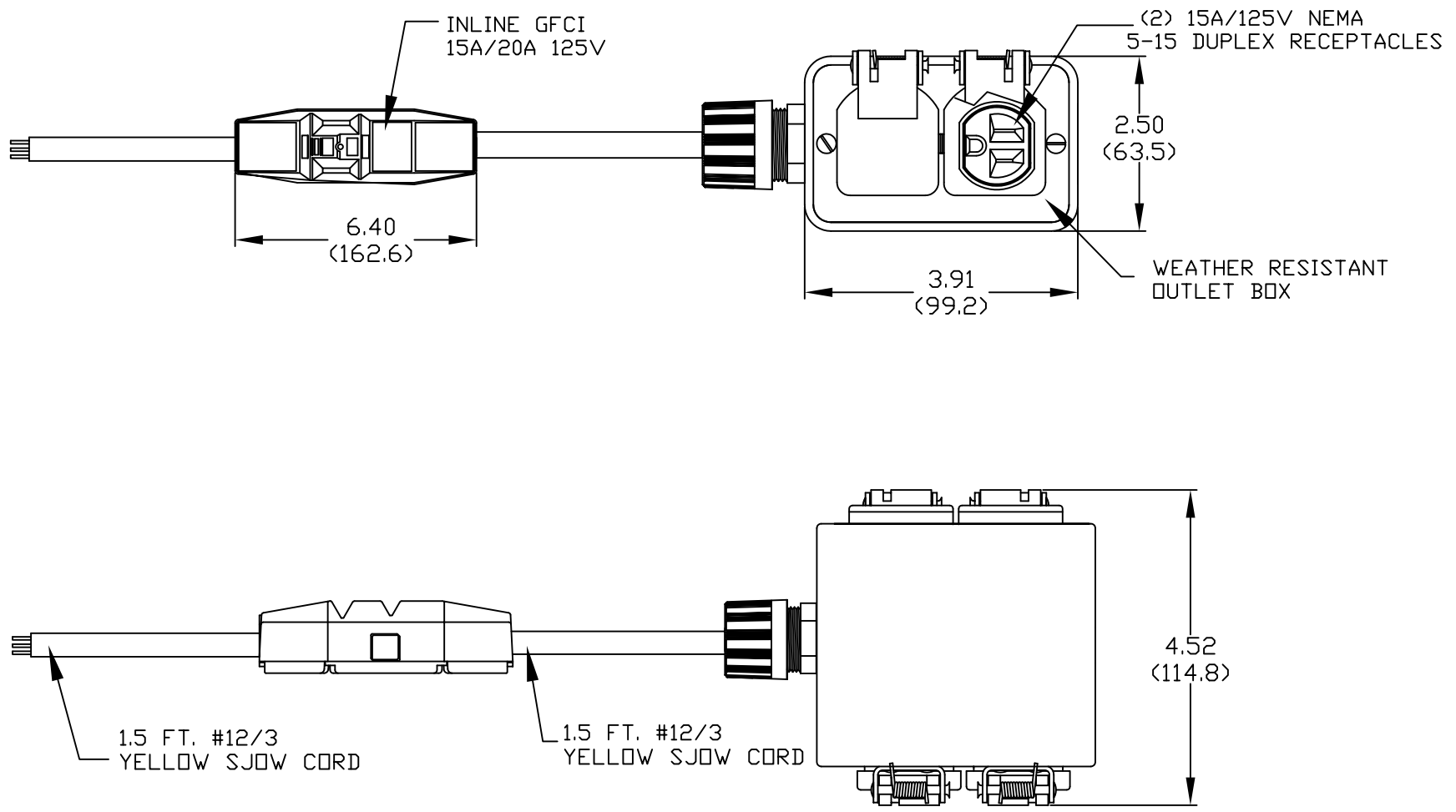
C

B

B

A

A



RELEASE DRAWING EC NO: WNA2010-0766 DRWN: TVICKERS 2010/05/14 CHKD: H.K. APPR: DTITUS 2010/07/08	QUALITY SYMBOLS ▽=0 ∇=0	GENERAL TOLERANCES (UNLESS SPECIFIED)		DIMENSION STYLE IN/MM		SCALE NTS	DESIGN UNITS INCH	THIRD ANGLE PROJECTION		
		4 PLACES ±--- ±---	mm INCH	DRAWN BY DATE TVICKERS 2010/05/14	TITLE WEATHER RESISTANT OUTLET BOX 1.5#12/3					
		3 PLACES ±--- ±.005		CHECKED BY DATE H.K. 2010/05/14	MOLEX INCORPORATED					
		2 PLACES ±0.13 ±.010 1 PLACE ±0.25 ±.020		APPROVED BY DATE DTITUS 2010/07/08	MATERIAL NO. 1301530223		DOCUMENT NO. SD-130153-007		SHEET NO. 1 OF 1	
A		ANGULAR ±.5°		SIZE A		THIS DRAWING CONTAINS INFORMATION THAT IS PROPRIETARY TO MOLEX INCORPORATED AND SHOULD NOT BE USED WITHOUT WRITTEN PERMISSION				
DRAFT WHERE APPLICABLE MUST REMAIN WITHIN DIMENSIONS										

6 5 4 3 2 1