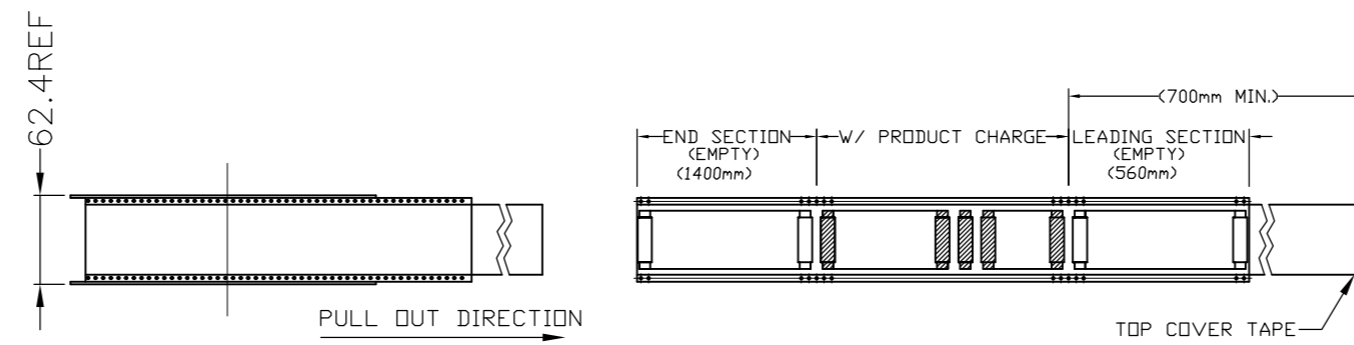
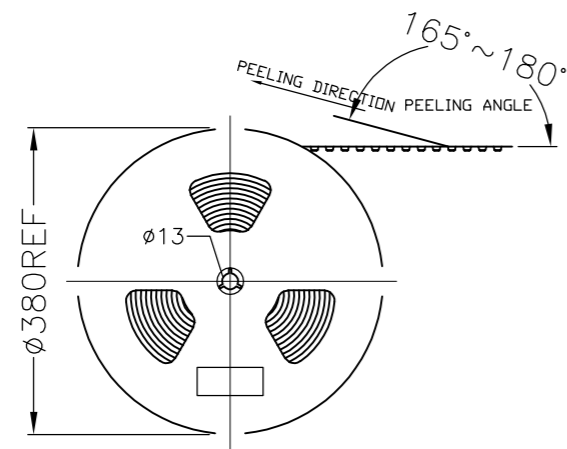
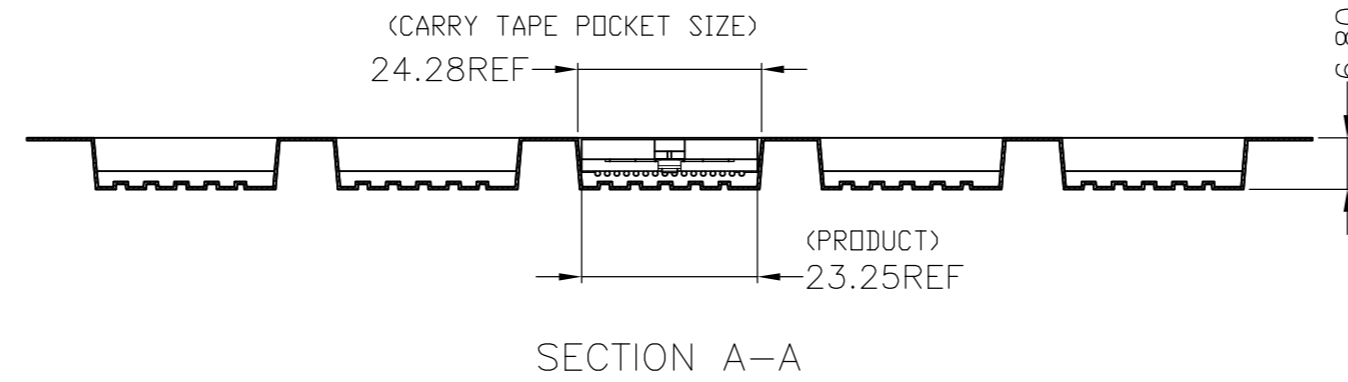
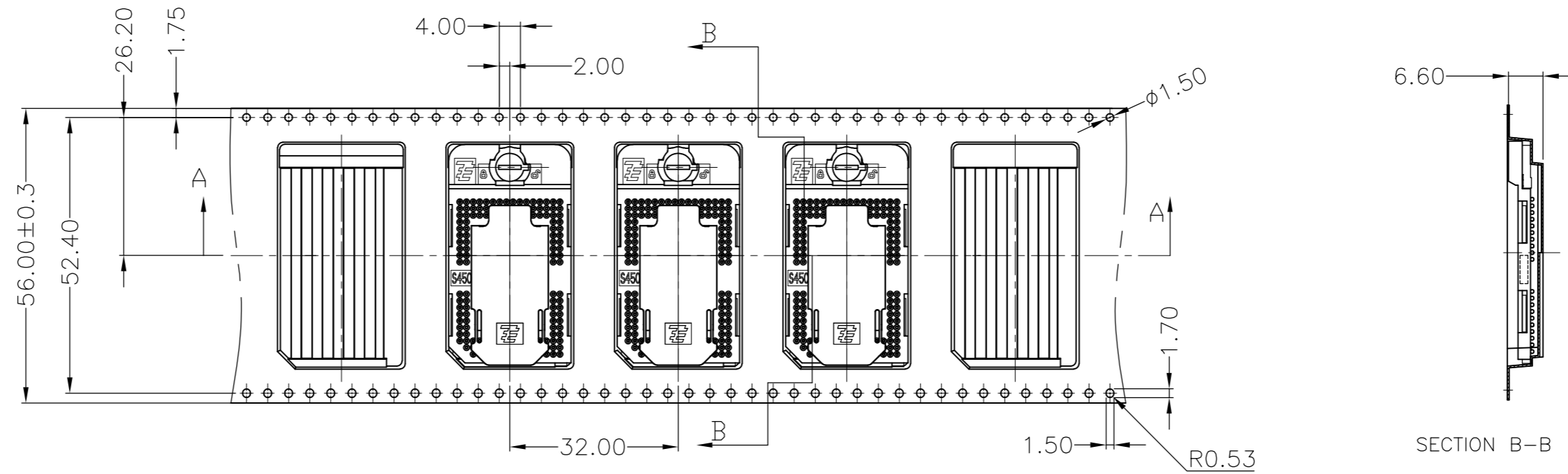


THIS DRAWING IS UNPUBLISHED. RELEASED FOR PUBLICATION  
 © COPYRIGHT - By - ALL RIGHTS RESERVED.

LOC		DIST		REVISIONS			
P	LTR	DESCRIPTION		DATE	DWN	APVD	
B4		REVISED		21MAR2013	M.L	C.W	

# TAPE & REEL PACKAGE:AS SHOWN



PRELIMINARY	1600	TAPE & REEL	Pb-FREE	400	0.25um	1-2069279-2
RELEASE	960	TRAY	Pb-FREE	24	0.25um	1-2069279-1
TOOLING STATUS	FINAL SHIPPING QTY PER CARTON BOX	PACKAGE TYPE	BALL TYPE	QTY PER PACKAGE	GOLD PL. TYPE	PART NO.

THIS DRAWING IS A CONTROLLED DOCUMENT.

DWN	C.DING	02JUL08
CHK	S.HASHIMOTO	02JUL08
APVD	H.SHIRAI	02JUL08
PRODUCT SPEC	108-115011	
APPLICATION SPEC	-	
TEST REPORT SPEC	-	

**TE** TE Connectivity

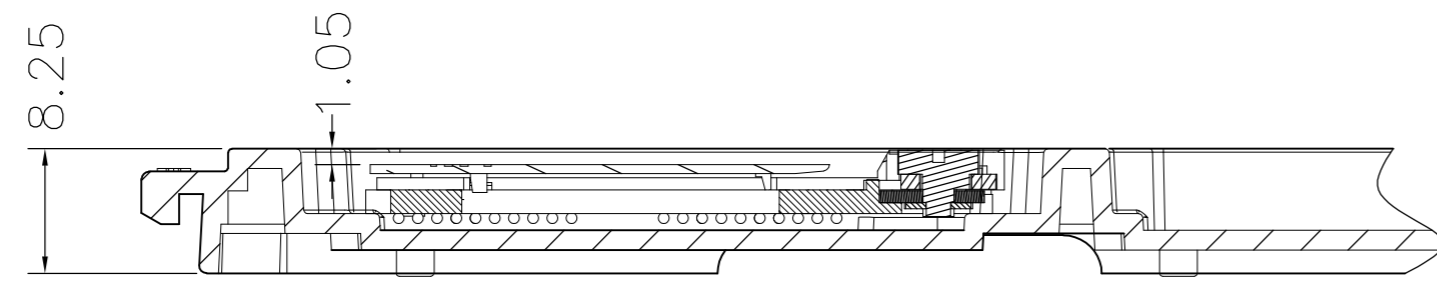
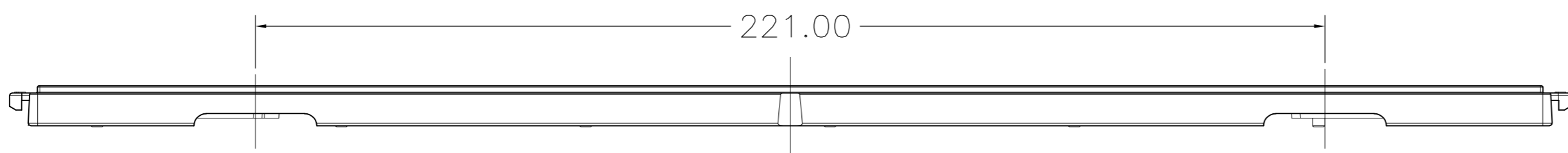
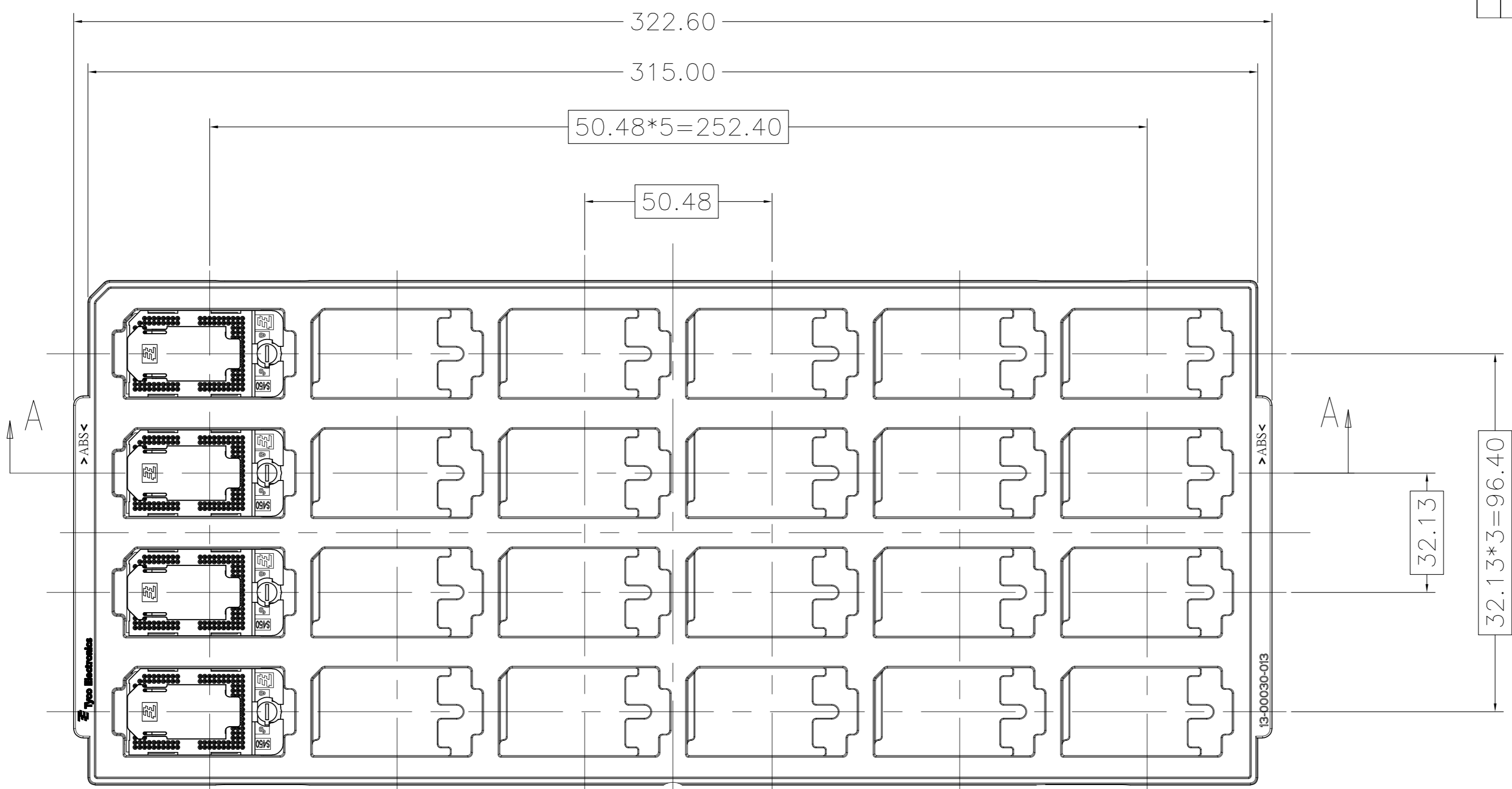
SOCKET ASS'Y WITH PACKAGE  
DMD 450 SOCKET

SIZE	A2	CAGE CODE	00779	DRAWING NO	C-2069279	RESTRICTED TO	-
SCALE	4:1	SHEET	1 of 4	REV	B4		

CUSTOMER DRAWING

THIS DRAWING IS UNPUBLISHED. RELEASED FOR PUBLICATION  
 © COPYRIGHT - By - ALL RIGHTS RESERVED.

LOC		DIST		REVISIONS			
P	LTR	DESCRIPTION	DATE	DWN	APVD		
-	-	SEE SHEET 1	-	-	-		



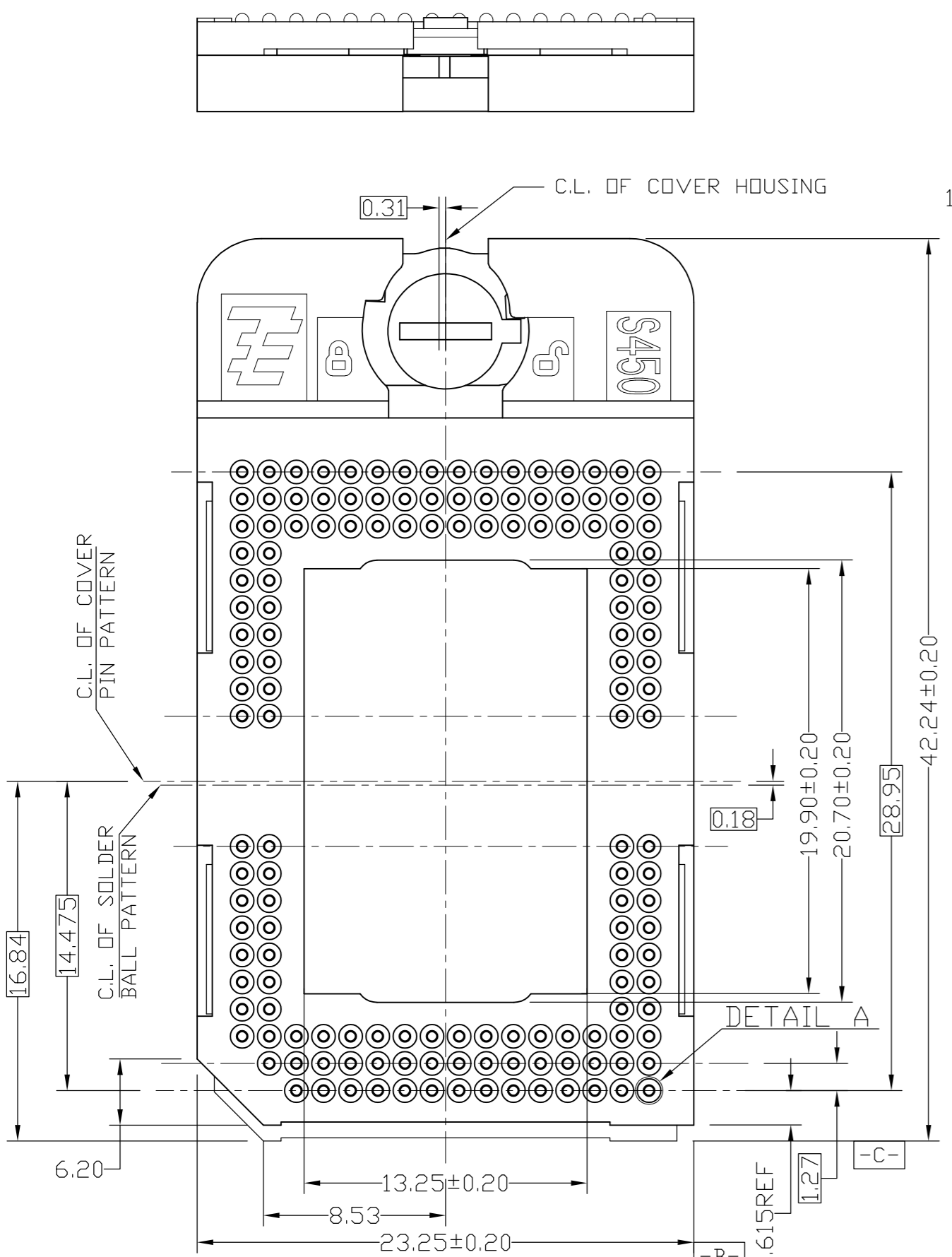
SECTION A-A

TRAY PACKAGE: AS SHOWN

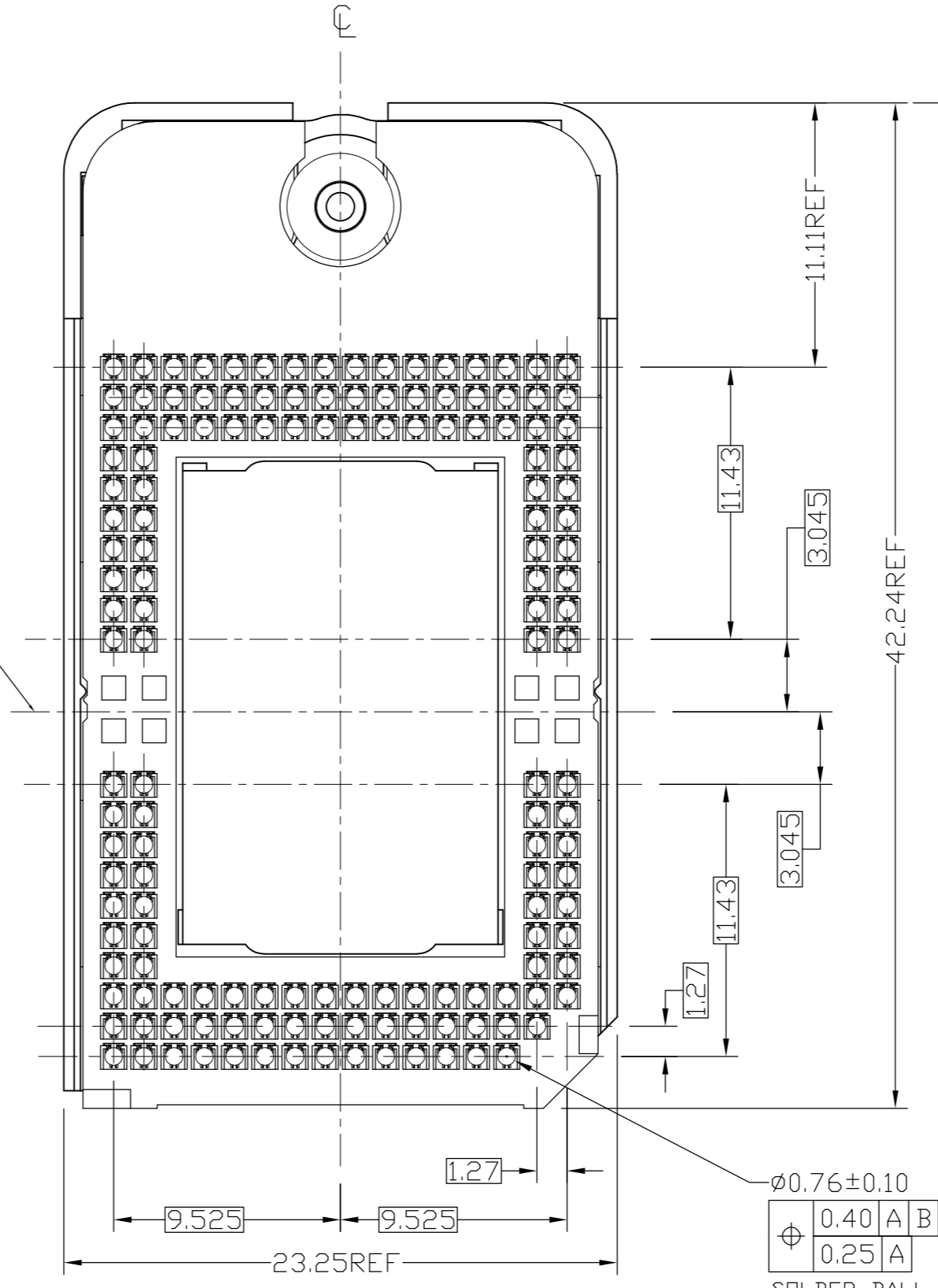
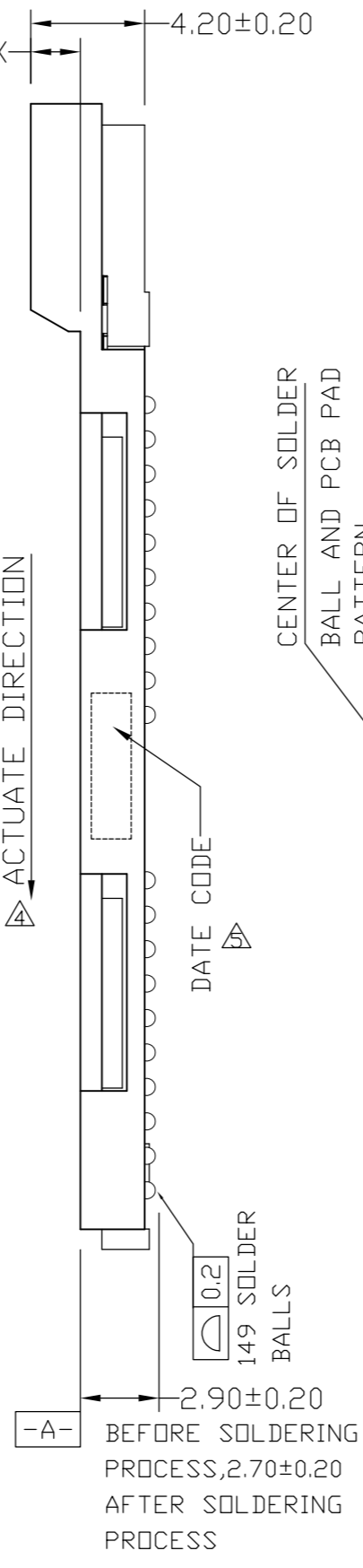
THIS DRAWING IS A CONTROLLED DOCUMENT.		DWN	C.DING	02JUL08		TE Connectivity			
DIMENSIONS: mm		CHK	S.HASHIMOTO	02JUL08		NAME			
TOLERANCES UNLESS OTHERWISE SPECIFIED:		APVD	H.SHIRAI	02JUL08		SOCKET ASS'Y WITH PACKAGE			
0 PLC ± 0.5 1 PLC ± 0.5 2 PLC ± 0.3 3 PLC ± - 4 PLC ± - ANGLES ± 3°		PRODUCT SPEC		DMD 450 SOCKET					
MATERIAL		APPLICATION SPEC		TEST REPORT SPEC		SIZE	CAGE CODE	DRAWING NO	RESTRICTED TO
FINISH		WEIGHT		-		A2	00779	C=2069279	-
CUSTOMER DRAWING		SCALE		4:1		SHEET		2 of 4	
								REV B4	

THIS DRAWING IS UNPUBLISHED. RELEASED FOR PUBLICATION  
 © COPYRIGHT - By - ALL RIGHTS RESERVED.

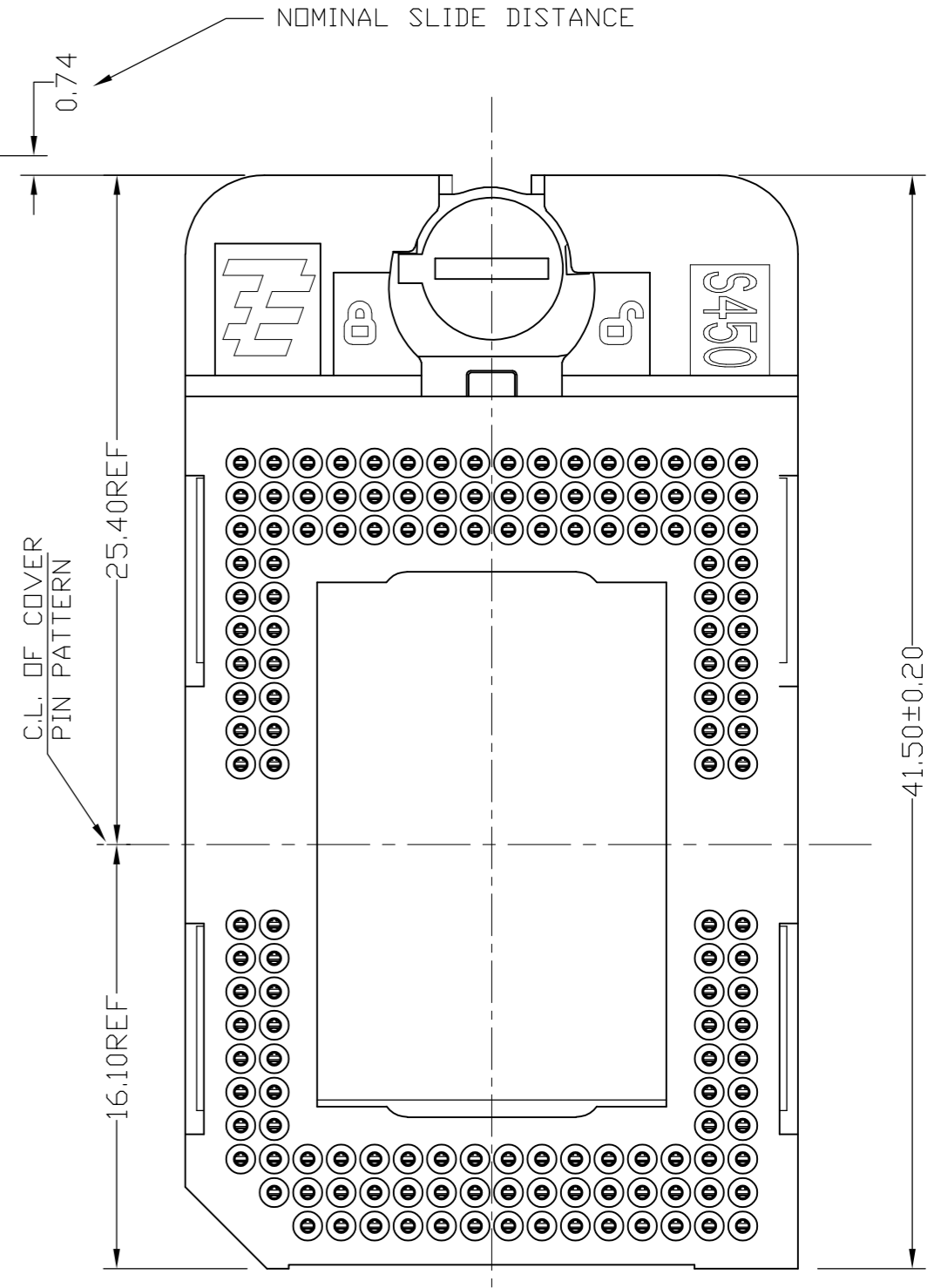
LOC		DIST		REVISIONS			
P	LTR	DESCRIPTION	DATE	DWN	APVD		
-	-	SEE SHEET 1	-	-	-		



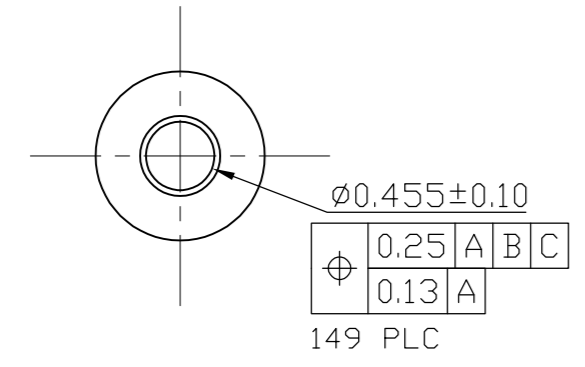
SHOW IN NON-ACTIVATED(OPEN) POSITION



BOTTOM SIDE VIEW  
 SHOW IN NON-ACTIVATED(OPEN) POSITION



SHOW IN ACTIVATED(CLOSED) POSITION  
 WITHOUT PACKAGE & PICK UP CAP

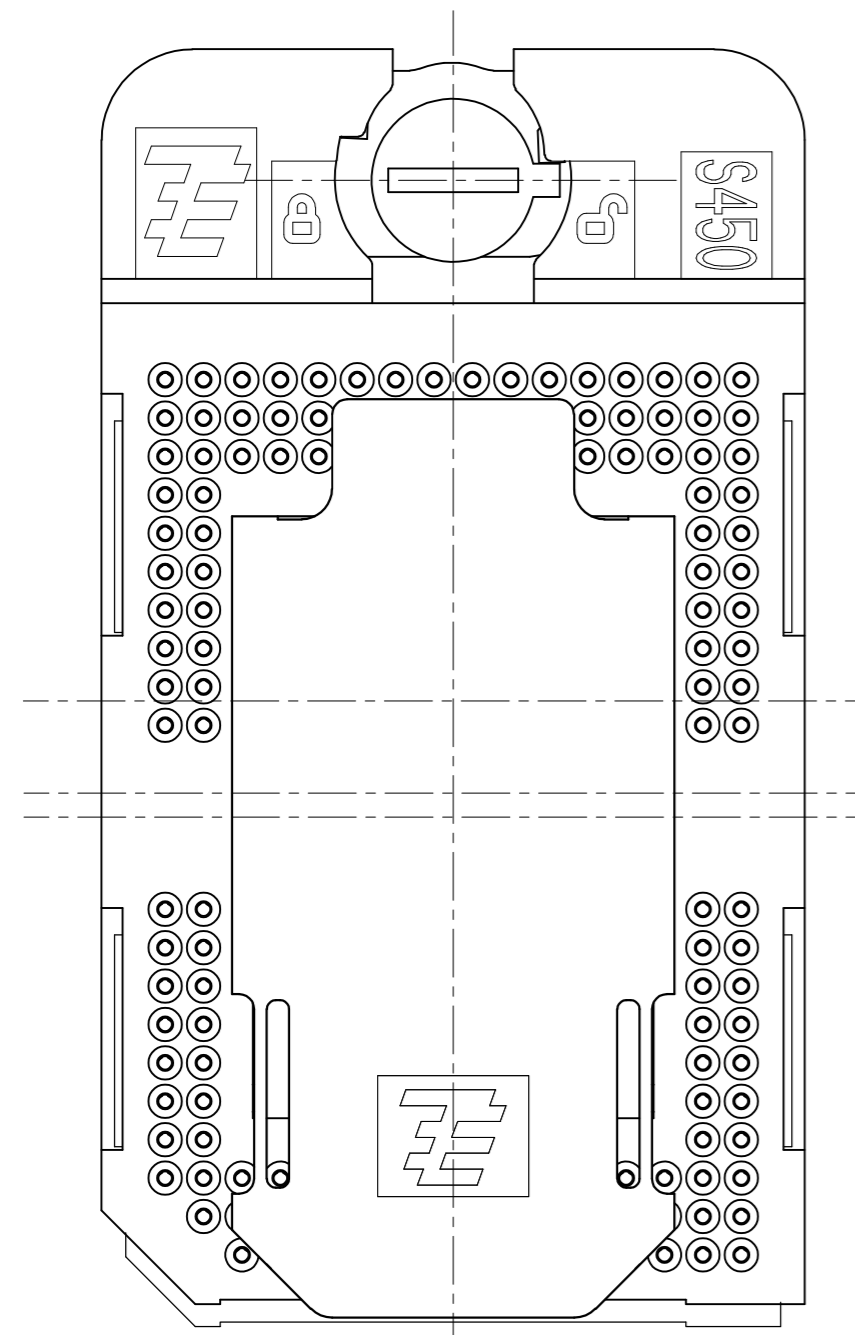


DETAIL A  
 SCALE 10:1

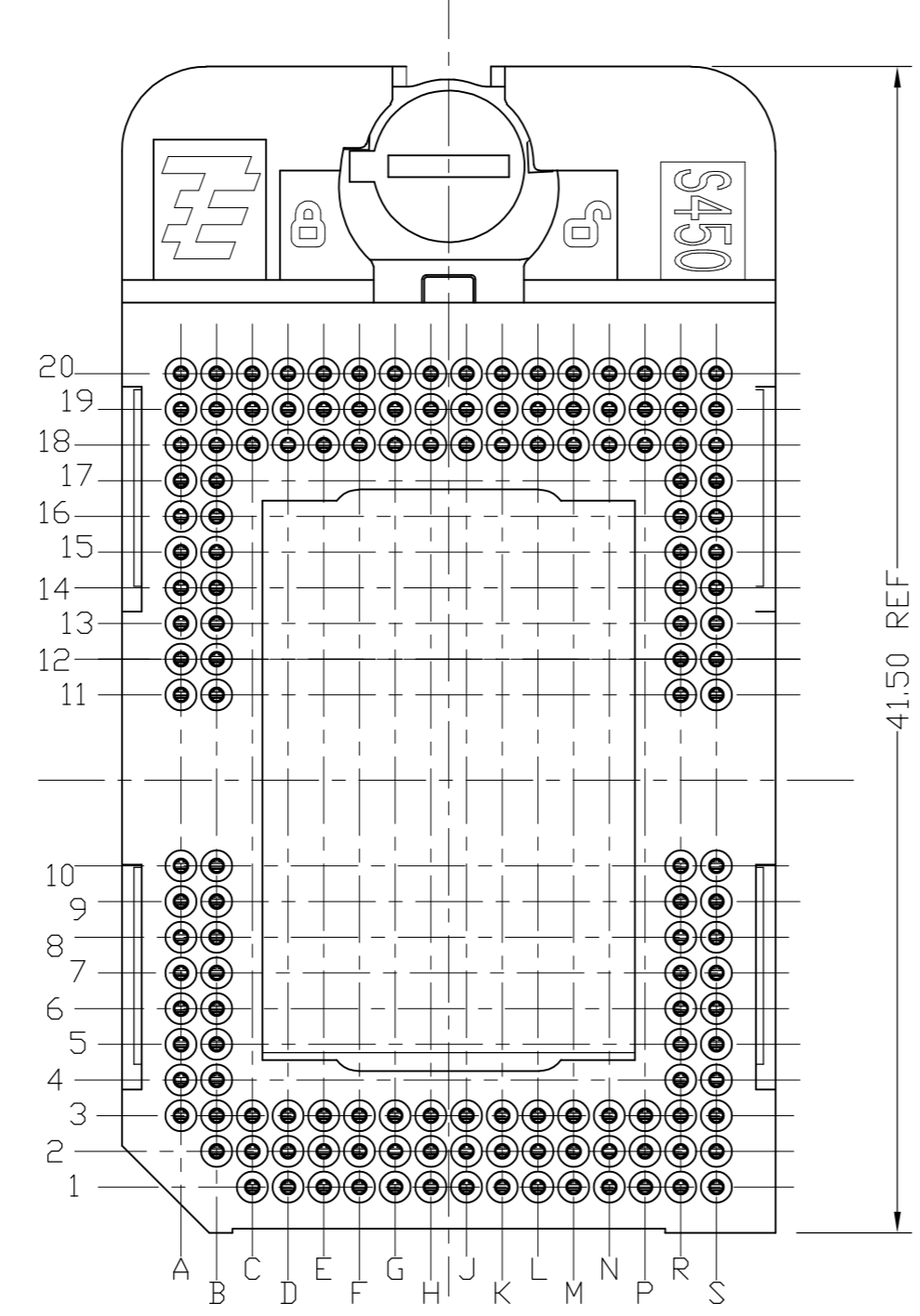
THIS DRAWING IS A CONTROLLED DOCUMENT.		DWN	TE Connectivity	
DIMENSIONS: mm		CHK	NAME	
TOLERANCES UNLESS OTHERWISE SPECIFIED:		APVD	SOCKET ASS'Y WITH PACKAGE	
0 PLC ± 0.3		PRODUCT SPEC	DMD 450 SOCKET	
1 PLC ± 0.3		APPLICATION SPEC	SIZE	CAGE CODE
2 PLC ± 0.3		WEIGHT	A2	00779
3 PLC ± 0.3		CUSTOMER DRAWING	DRAWING NO	C=2069279
4 PLC ± -		SCALE	4:1	SHEET 3 OF 4
ANGLES ± 3°		REV	B4	
FINISH		RESTRICTED TO		

THIS DRAWING IS UNPUBLISHED. RELEASED FOR PUBLICATION  
 © COPYRIGHT - By - ALL RIGHTS RESERVED.

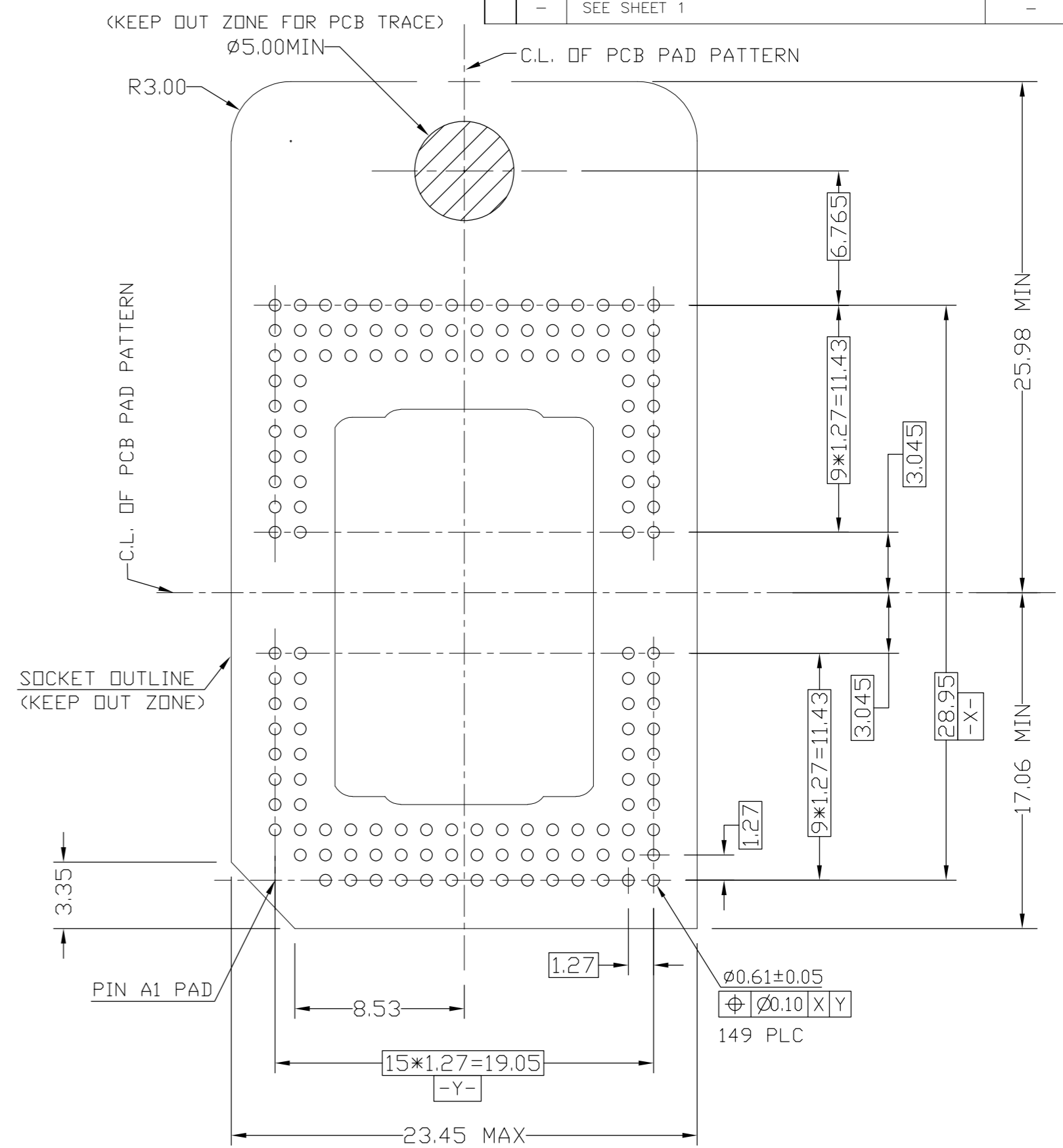
LOC	DIST	REVISIONS					
ES	-	P	LTR	DESCRIPTION	DATE	DWN	APVD
		-	-	SEE SHEET 1	-	-	-



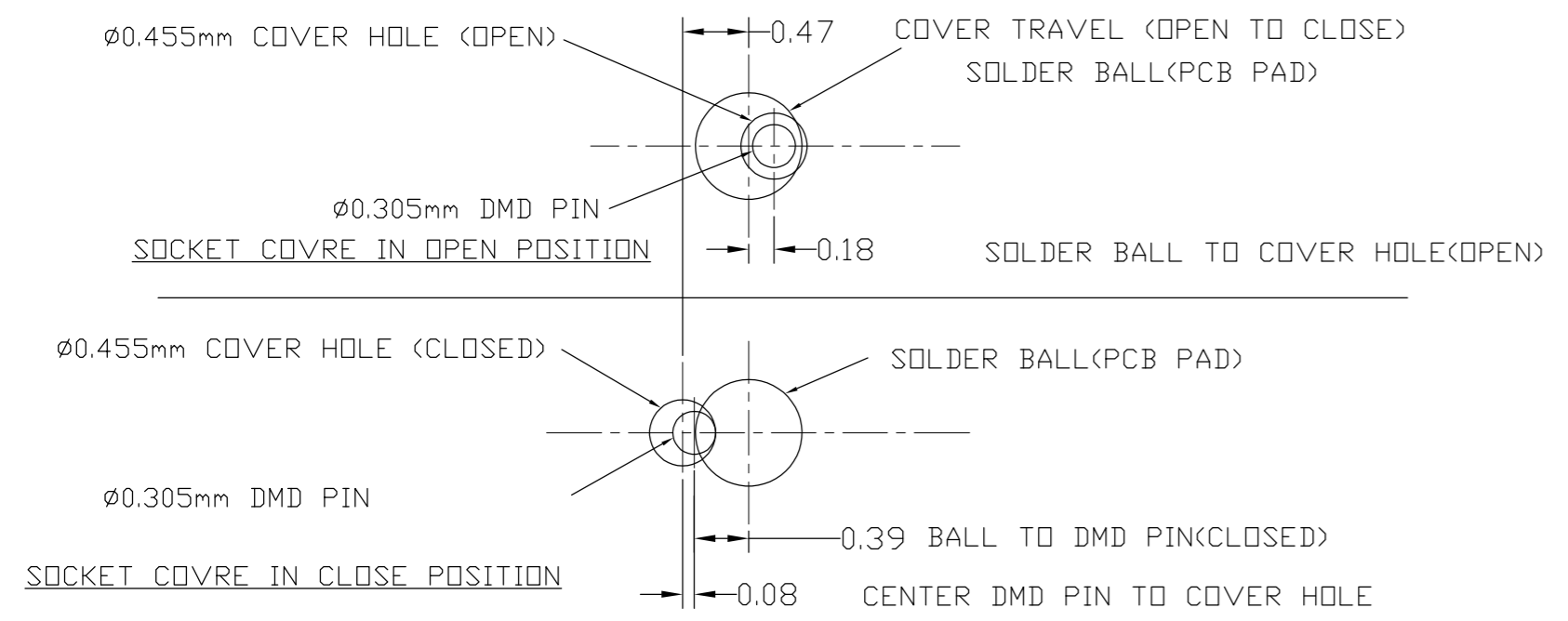
SHOW IN FINAL SHIPPING CONDITION  
(SOCKET WITH PICK UP CAP TYPE)



SHOW IN ACTIVATED (CLOSED) POSITION  
WITH CIRCUIT SYMBOLS



REFERENCE DIM. OF PC BOARD LAYOUT



SOCKET COVER & SOLDER BALL RELATED POSITION  
ON OPEN & CLOSE POSITION (WITH CPU PACKAGE)

- NOTES:
- ⚠ MATERIAL:  
COVER HOUSING:HIGH TEMPERATURE THERMO-PLASTIC UL94V-0,COLOR:WHITE  
BASE HOUSING:HIGH TEMPERATURE THERMO-PLASTIC UL94V-0,COLOR:BLACK.  
M-PGA-PICK UP CAP:HIGH TEMPERATURE THERMO-PLASTIC UL94V-0,COLOR:BLACK.  
CONTACT:COPPER ALLOY  
COVER SUPPORT PLATE:STAINLESS STEEL.  
BASE SUPPORT PLATE:STAINLESS STEEL.  
CAM:STAINLESS STEEL.  
WASHER:STAINLESS STEEL.  
SOLDER BALL:Sn-Ag-Cu(Pb FREE),SPHERE:ø0.76±0.02mm.
  - ⚠ FINISH:  
GOLD PLATING AT PLATING AREA.
  - 3. USER INTERFACE  
A) FLAT HEAD SCREW DRIVER TO ACTUATE  
B) CLOCKWISE TO "LOCK",COUNTER-CLOCKWISE TO "OPEN"  
C) 180 DEGREE BETWEEN "LOCK" AND "OPEN"
  - ⚠ ACTUATION DIRECTION AS SHOWN.
  - ⚠ DATE CODE AREA

THIS DRAWING IS A CONTROLLED DOCUMENT.		DWN	-			NAME	
DIMENSIONS: mm		CHK	-			SOCKET ASS'Y WITH PACKAGE	
TOLERANCES UNLESS OTHERWISE SPECIFIED:		APVD	-	DRAWING NO		CAGE CODE	
0 PLC ± 0.3		PRODUCT SPEC	-	A2 00779		00779	
1 PLC ± 0.3		APPLICATION SPEC	-	SCALE		SHEET	
2 PLC ± 0.3		WEIGHT	-	4:1		4 OF 4	
3 PLC ± 0.3		CUSTOMER DRAWING	-	REV		B4	
4 PLC ± -							
ANGLES ± 3°							
FINISH							