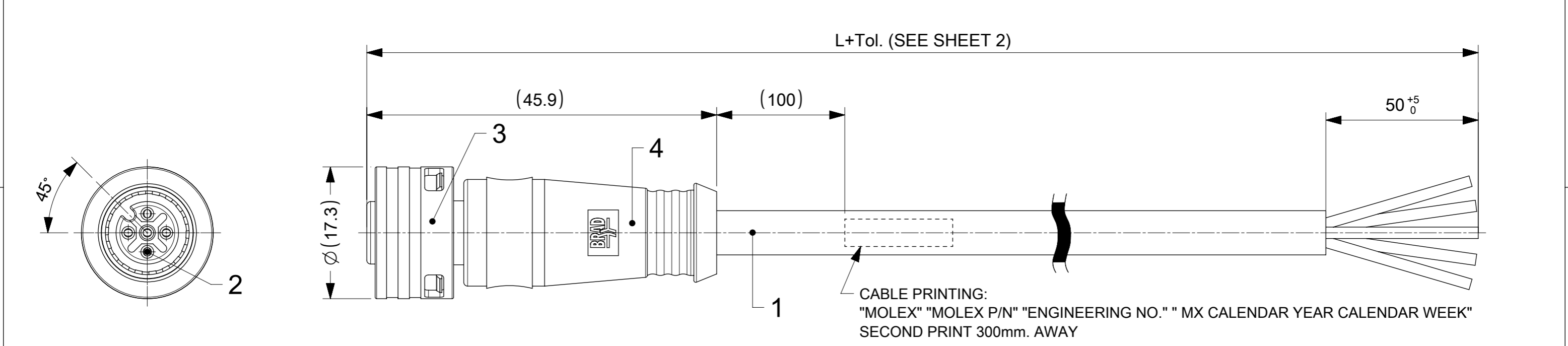
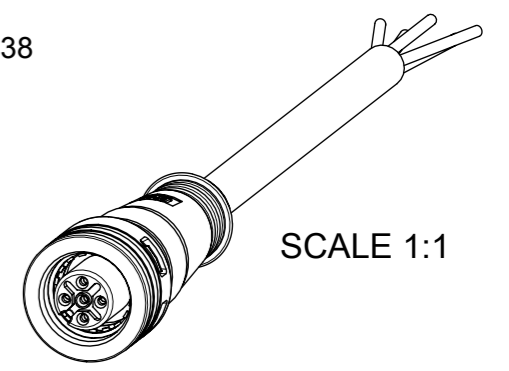


CODING ACCORDING TO IEC 61076-2-101



- NOTES:
- PARTS ACC. TO PRODUCT SPECIFICATION 1204000001 PS P10 AND IN STYLE OF IEC-61076-2-010
  - BOM & PART LIST - SEE SHEET 2
  - RATED VOLTAGE :  
3, 4 CONTACTS: 250V AC OR DC  
5 CONTACTS: 60V AC OR DC  
RATED CURRENT:  
3, 4, 5 CONTACTS: 4A, DERATING HAS TO BE CONSIDERED  
OVERVOLTAGE CATEGORY: 3  
POLLUTION DEGREE: 3, ONLY IN MATED AND LOCKED CONDITION
  - PROTECTION CLASS: IP 67, ONLY IN MATED AND LOCKED CONDITION
  - TEMPERATURE RANGE:  
TEMPERATURE PLUG/SOCKET: -40 °C TO +85 °C  
TEMPERATURE CABLE: SEE CABLE LIST
  - MECHANICAL OPERATIONS: 100 CYCLES
  - MATES WITH ULTRA-LOCK M12 MALE RECEPTACLES
  - PACKAGING: THE CORDSETS ARE SINGLE PACKED IN PLASTIC BAGS AND DELIVERED IN CARTON BOXES
  - UL CSA FILE REGISTRATION PENDING

FOR EXAMPLE: MOLEX 1204000001 Y03000E03M010 MX2038



DOCUMENT STATUS	P1	RELEASE DATE	2023/01/31	08:21:28
-----------------	----	--------------	------------	----------

FUNCTIONAL SYMBOLS	THIS DRAWING CONTAINS INFORMATION THAT IS PROPRIETARY TO MOLEX ELECTRONIC TECHNOLOGIES, LLC AND SHOULD NOT BE USED WITHOUT WRITTEN PERMISSION	CURRENT REV DESC: NOTES AND CABLE LIST UPDATED		<b>molex</b>		
	mm	2:1	CSE U12 3-5P AC FE STR XM SE UNSH BK			
	GENERAL TOLERANCES (UNLESS SPECIFIED)	EC NO: 736602		PRODUCT CUSTOMER DRAWING		
	ANGULAR TOL ± 1.0°	DRWN: RSCHIEBER 2023/01/23		DOCUMENT NUMBER		
4 PLACES ±	CHK'D: RSILLER 2023/01/31		DOC TYPE DOC PART REVISION			
3 PLACES ±	APPR: RSILLER 2023/01/31		1204000025 PSD 000 A3			
DIVISIONAL SYMBOLS	INITIAL REVISION:		MATERIAL NUMBER			
2 PLACES ± 0.05	DRWN: RSCHIEBER 2020/09/15		CUSTOMER			
1 PLACE ± 0.3	APPR: RSILLER 2020/09/29		SEE SHEET 2 GENERAL MARKET			
0 PLACES ± 0.5	DRAFT WHERE APPLICABLE MUST REMAIN WITHIN DIMENSIONS		SHEET NUMBER			
THIRD ANGLE PROJECTION		DRAWING	SERIES	1 OF 2		
A3-SIZE		120400				

