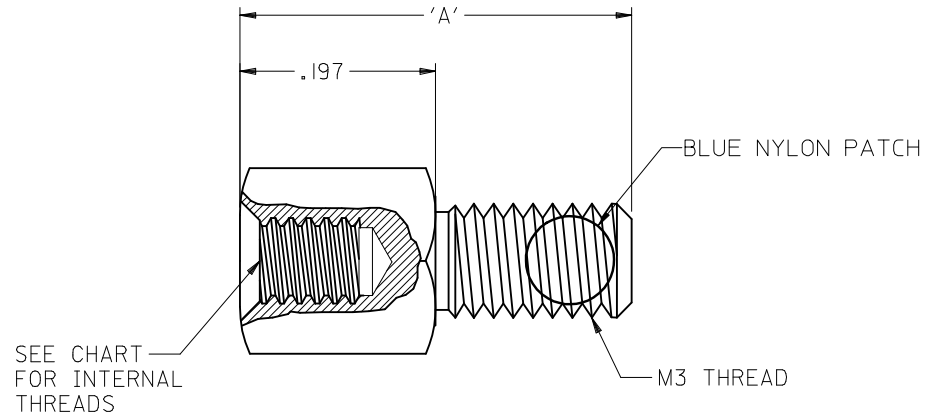
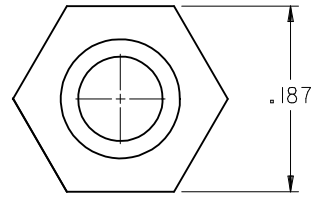
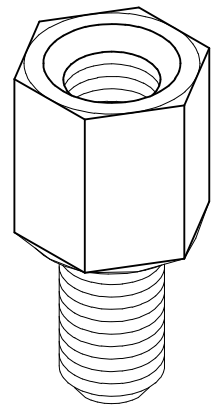


ITEM #	INTERNAL THREAD	EXTERNAL THREAD	DIMENSION 'A'	FINISH
70982-1008	4-40 UNC	M3	.433	CLEAR TRIVALENT CHROMATE



SEE CHART FOR INTERNAL THREADS

- NOTES:  
 1. MATERIAL: COLD DRAWN STEEL.  
 2. PARTS TO BE BULKED PACKAGED.

INITIAL RELEASE EC NO: UCP2007-2413 DRAWN BY: MIBARRA 2007/05/15 CHKD: DMORGAN 2007/05/21 APPR: SMILLER 2007/05/21	QUALITY SYMBOLS DESCRIPTION	GENERAL TOLERANCES (UNLESS SPECIFIED)		DIMENSION STYLE INCH ONLY		SCALE	DESIGN UNITS INCH	THIRD ANGLE PROJECTION			
		4 PLACES ± --- ± ---	mm INCH	DRAWN BY MIBARRA	DATE 2007/03/27	TITLE 3/16 HEX. SCREWLOCK WITH NYLON PATCH HARDWARE KIT					
		3 PLACES ± --- ± ---	2 PLACES ± --- ± ---	CHECKED BY DMORGAN	DATE 2007/03/27	MOLEX INCORPORATED					
		1 PLACE ± --- ± ---	ANGULAR ±1/2°	APPROVED BY SMILLER	DATE 2007/03/27	MATERIAL NO.	SEE TABLE	DOCUMENT NO. SD-70982-002	SHEET NO. 1 OF 1		
DRAFT WHERE APPLICABLE MUST REMAIN WITHIN DIMENSIONS		THIS DRAWING CONTAINS INFORMATION THAT IS PROPRIETARY TO MOLEX INCORPORATED AND SHOULD NOT BE USED WITHOUT WRITTEN PERMISSION									