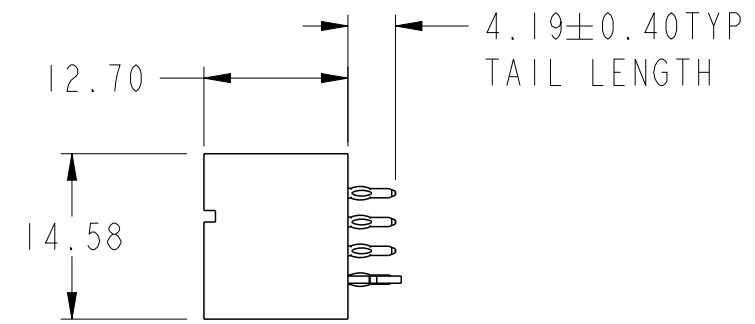
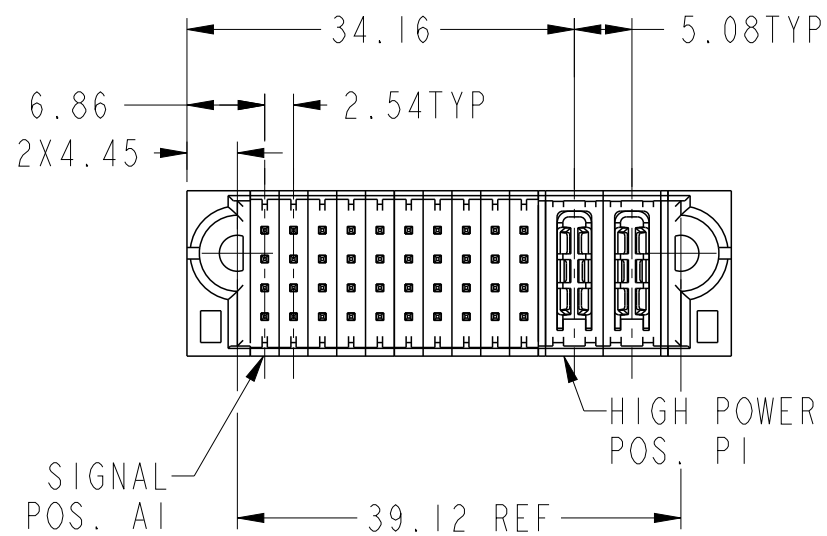
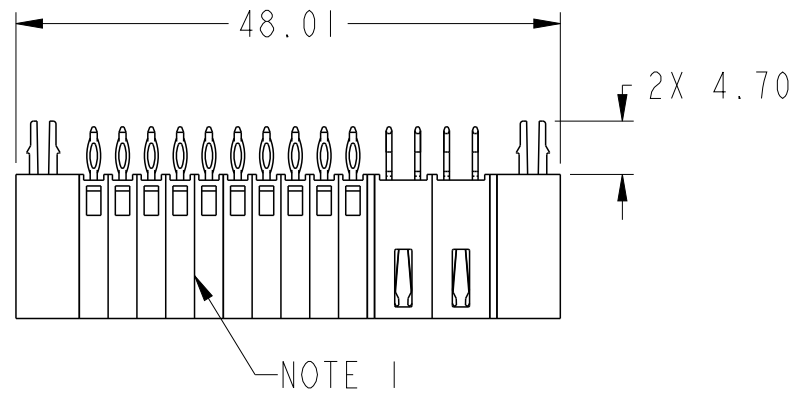
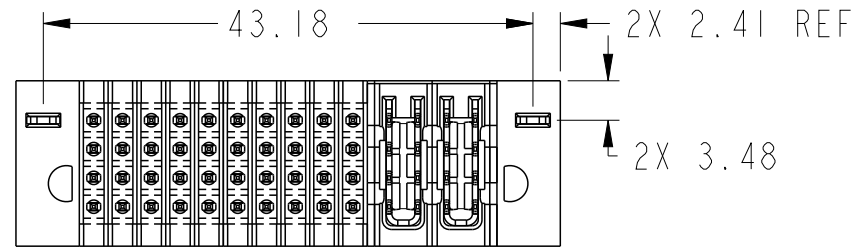


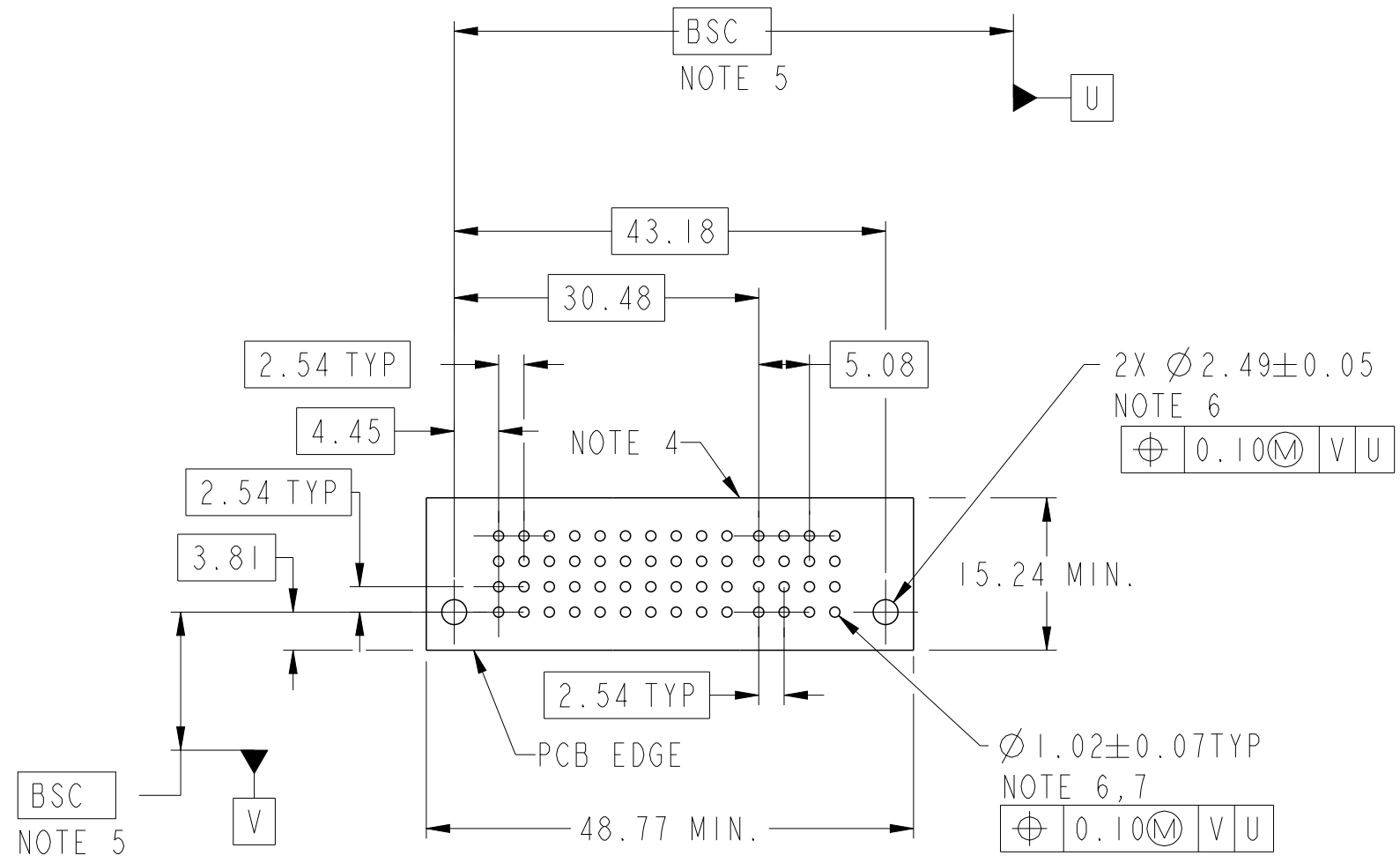
PART NUMBER SEE SHEET 2



spec ref	*	dr	Zhen-Hua Liu	2015/04/16	projection	MM	size	A3	scale	3:2
tolerance std	ASME Y14.5	eng	Zhen-Hua Liu	2015/06/26			ecn no	-	rel level	Released
TOLERANCES UNLESS OTHERWISE SPECIFIED		chr	Fancy Zhang	2015/06/26			product family	PwrBlade+		
surface	linear	appr	Pei-Ming Zheng	2015/06/26			dwg no	10106137-2010001	rev	A
ASME Y14.5	angular	www.fci.com		cat. no.	Product - Customer Drw		sheet 1 of 3			
	0.X ±0.5			40S + 2HDP						
	0.XX ±0.25			VERTICAL PF HEADER						
	0.XXX ±0.10									
	0° ±2°									

PRODUCT NO.	ROWS	SIGNAL										HP		E1	E2				
		1	2	3	4	5	6	7	8	9	10	P1	P2						
10106137-2010001LF	D C B A	G	G	G	G	G	G	G	G	G	G	G	G	G	G	G	H4	H4	D

CODE	DESCRIPTION
G	STD SIGNAL CONTACT
H4	STD HIGH POWER CONTACT
HA	METAL HOLD DOWN



Copyright FCI.

dr	Zhen-Hua Liu	2015/04/16	projection 	MM 	size	A3	scale	3:2
eng	Zhen-Hua Liu	2015/06/26			ecn no	-		
chr	Fancy Zhang	2015/06/26			product family	PwrBlade+	rel level	Released
appr	Pei-Ming Zheng	2015/06/26			cat. no.	40S + 2HDP VERTICAL PF HEADER	dwg no	10106137-2010001
www.fci.com		Product - Customer Drw		sheet 2 of 3				

A

B

C

D

A

B

C

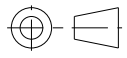
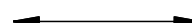

D

NOTES:

- 1) "FCI", PART NUMBER AND DATE CODE TO BE MARKED ON THIS SURFACE.
THE MARK CAN BE OMITTED IF THERE IS NOT ENOUGH SPACE ON THIS SURFACE.
- 2) MATERIALS:
-HOUSING - GLASS FILLED WITH HIGH TEMP THERMOPLASTIC, UL94V-0.
-SIGNAL CONTACT - COPPER ALLOY.
-POWER CONTACT - HIGH CONDUCTIVITY COPPER ALLOY.
- 3) PLATING SPECIFICATION : 10116351
- 4) DENOTES CONNECTOR KEEP OUT ZONE.
- 5) DATUM AND BASIC DIMENIONS WERE ESTABLISHED BY CUSTOMER.
- 6) ALL HOLE DIAMETERS ARE FINISHED HOLE SIZES.
- 7) 1.15±0.025MM DRILLED HOLE PLATED WITH 0.00762MM MIN Sn
OVER 0.0254-0.0762MM Cu PLATING TO ACHIEVE A 1.02±0.07MM HOLE.
- 8) PRODUCT SPECIFICATION : GS-12-658.
APPLICATION SPECIFICATION : GS-20-141.
PACKAGE SPECIFICATION: GS-14-1502(PRODUCT PACKAGED IN TRAYS).



Copyright FCI.

dr	Zhen-Hua Liu	2015/04/16	projection 	MM 	size	A3	scale	3:2
eng	Zhen-Hua Liu	2015/06/26			ecn no	-		
chr	Fancy Zhang	2015/06/26			product family	PwrBlade+	rel level	Released
appr	Pei-Ming Zheng	2015/06/26			 40S + 2HDP VERTICAL PF HEADER		dwg no 10106137-2010001	rev A
www.fci.com		cat. no.	Product - Customer Drw		sheet 3 of 3			