

# VTU-DIN SERIES

## AC or DC Voltage Transducers

VTU-DIN Series Voltage Transducers are high-performance True RMS transducers for sensing voltage in single, three-phase or DC installations. Housed in a slim, compact, easy-to-install DIN rail mounted case, these transducers come in a variety of voltage ranges. The VTU-DIN measures AC or DC voltage from 0–15 to 0–600 V and provides an industry standard output proportional to connected voltage in alternating current circuits with sinusoidal or non-sinusoidal (variable frequency) applications or direct current circuits.

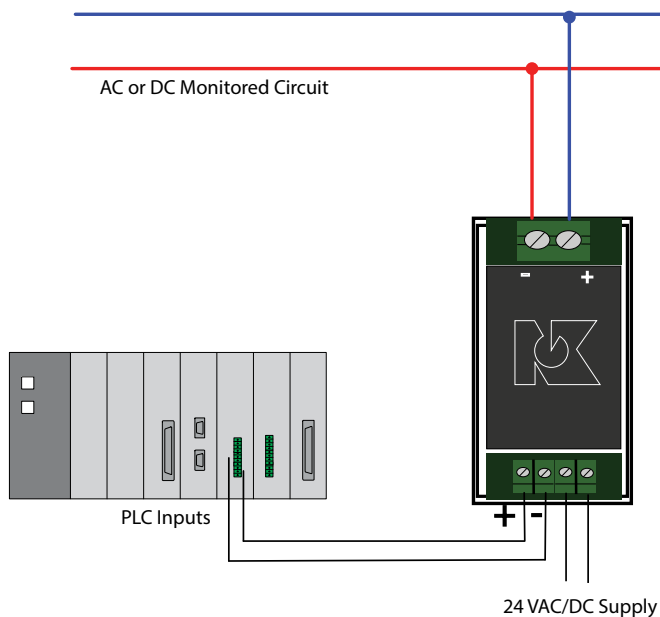


### Voltage Transducers Applications

#### True RMS or DC Voltage Monitoring

- Detect below normal or “brownout” voltage conditions; protect against possible motor overheating.
- Identify phase loss conditions by detecting voltage reduction in one or more phase of three-phase motor.
- Monitor over voltage conditions associated with regenerative voltage to help in diagnosing/avoiding motor drive issues.
- Detect voltage conditions that may cause stress or damage to soft starter components (SCRs).

Phase Loss Detection



### Voltage Transducers Features

#### Zero to 5 KHz Measurement

- Allows for use in situations where power supplied is non-sinusoidal such as VFD applications, poor power quality installations or other electrically harsh/challenging environments.

#### Standard Outputs

- Industry standard outputs makes use with existing controllers, data loggers and SCADA equipment easy and reliable.

#### Compact DIN Rail Mount Case\*

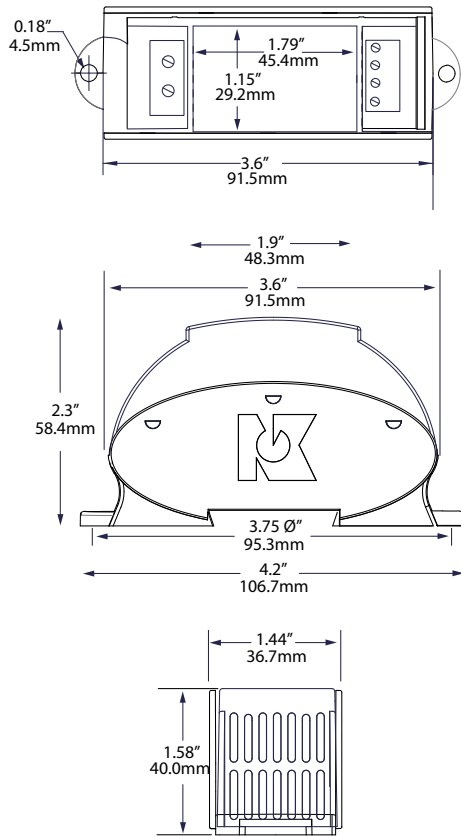
- Space saving 35 mm wide enclosure mounts quickly for an attractive installation.

#### UL/cUL and CE Approved

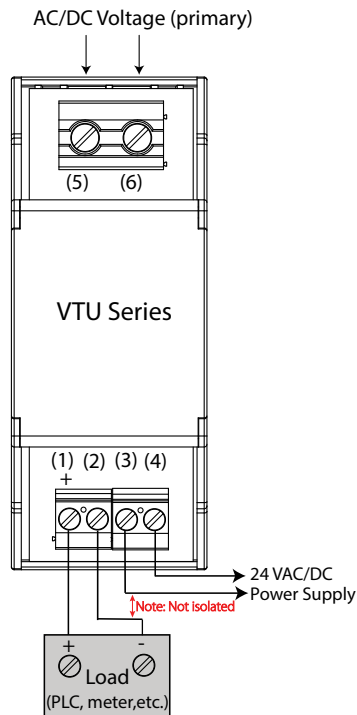
- Accepted worldwide.

\*For information on the DIN rail accessories kit, see page 144.

Voltage Transducers Dimensions



Voltage Transducers Connections



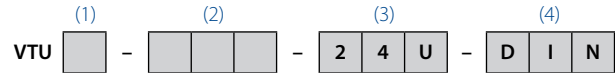
Voltage Transducers Specifications



<b>Power Supply</b>	24 VAC or DC external power (Not isolated from the output)
<b>Power Consumption</b>	<2 VA
<b>Input</b>	0–15, 25, 50, 60, 120, 150, 240, 300, 400, 500, 600 V, AC or DC
<b>Output</b>	• 4–20 mA proportional (capped at 31 mA max.) • 0–5 VDC • 0–10 VDC
<b>Response Time</b>	500 ms (to 90% value)
<b>Accuracy</b>	<1% error
<b>Loading</b>	• 4–20 mA output: <400 Ω • 0–5/10 VDC output: >50 KΩ
<b>Isolation Voltage</b>	2500 VAC
<b>Frequency Range</b>	0 Hz–5 KHz
<b>Case</b>	UL94 V-0 Flammability Rated; noncorrosive thermoplastic
<b>Environmental</b>	-4 to 122°F (-20 to 50°C) 0–95% RH, non-condensing
<b>Listings</b>	UL/cUL, CE

Voltage Transducer Ordering Information

Sample Model Number: VTUE-420-24U-DIN  
AC/DC voltage transducers with 120 V range, standard 4–20 mA proportional output; 24 VAC/DC externally powered with a DIN rail compatible case.



(1) Range

A	0–15 V
B	0–25 V
C	0–50 V
D	0–60 V
E	0–120 V
F	0–150 V
G	0–240 V
H	0–300 V
I	0–400 V
J	0–500 V
K	0–600 V

(2) Output Type

420	4–20 mA
005	0–5 VDC
010	0–10 VDC

(3) Power Supply

24U	24 VAC/DC external power supply
-----	---------------------------------

(4) Mounting

DIN	DIN rail compatible
-----	---------------------



Test & Evaluation Units for OEMs

Free program expedites evaluation process. See page 3 for details.

