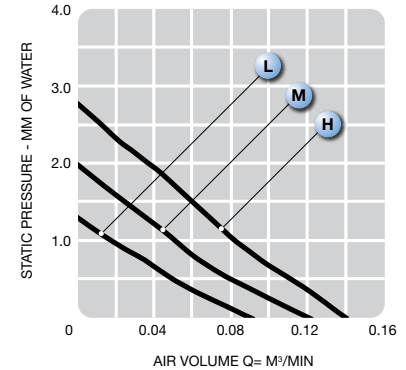
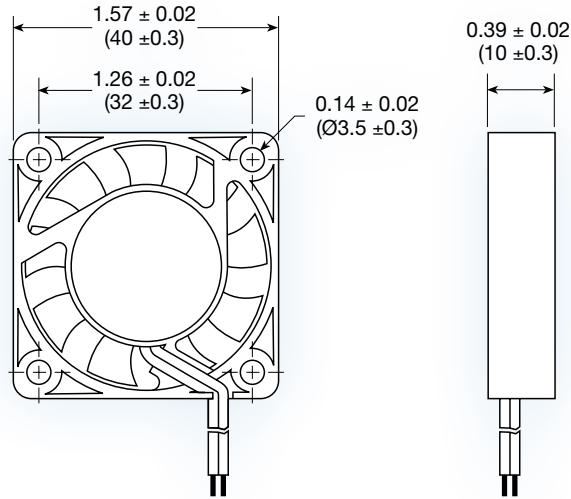


MA4010 series



(40 x 40 x 10 mm)
1.57 x 1.57 x 0.39 inches

Construction: UL94V-0 PBT impeller and frame

Bearing option: ball bearing or sleeve

Connection: AWG 26, UL1007 lead wires

Frame: ribbed

Protection: impedance

Options: tachometer output or locked rotor alarm signal

Model No.	Rated Voltage V	Operating Voltage V	Current mA	Speed RPM	Air Volume		Max. Static Pressure (H ₂ O)		Sound Noise dBa	Weight g
					M ³ /Min.	CFM	MM	INCH		
MA4010L	5	3 - 6.5	50	4,000	0.09	3.18	1.30	0.05	23	20
MA4010M	5	3 - 6.5	70	5,000	0.12	4.24	1.98	0.08	24	20
MA4010H	5	3 - 6.5	140	6,000	0.14	4.95	2.78	0.11	26	20
MA4010L	12	7 - 13.8	55	4,000	0.09	3.18	1.30	0.05	23	20
MA4010M	12	7 - 13.8	60	5,000	0.12	4.24	1.98	0.08	24	20
MA4010H	12	7 - 13.8	75	6,000	0.14	4.95	2.78	0.11	26	20