

**Industrial Ethernet
IE-M12-ADAP A**

Weidmüller Interface GmbH & Co. KG
Klingenbergstraße 16
D-32758 Detmold
Germany
Fon: +49 5231 14-0
Fax: +49 5231 14-292083
www.weidmueller.com



M12 panel feed-through, IP67

General ordering data

Type	IE-M12-ADAP A
Order No.	8901630000
Version	Adapter, 90°, RJ45 90°, M12, Cat.5 (ISO/IEC 11801), IP67
GTIN (EAN)	4032248653584
Qty.	1 pc(s).

**Industrial Ethernet
IE-M12-ADAP A**

Weidmüller Interface GmbH & Co. KG
 Klingenbergstraße 16
 D-32758 Detmold
 Germany
 Fon: +49 5231 14-0
 Fax: +49 5231 14-292083
 www.weidmueller.com

Technical data

Dimensions and weights

Net weight 36 g

Temperatures

Operating temperature, max.	80 °C	Operating temperature, min.	-25 °C
Storage temperature, max.	80 °C	Storage temperature, min.	-40 °C
Operating temperature	-25 °C...80 °C	Storage temperature	-40 °C...80 °C
Installation temperature			

Environmental Product Compliance

REACH SVHC Lead 7439-92-1

General Info

Connection 1	RJ45 90°	Connection 2	M12
Description of article	Adapter, angled	Configuration	M12 socket to RJ45 socket
Housing main material	PA 66	Category	Cat.5 (ISO/IEC 11801)
Connection thread	M12	Contact surface	Gold-plated
Shielding	Yes	Protection degree	IP67

Electrical properties

Contact resistance ≤ 10 mΩ Current-carrying capacity at 50 °C 1 A

Standards

Connector standard IEC 60603-7-5, IEC 61076-2-101

Classifications

ETIM 3.0	EC000516	ETIM 4.0	EC000516
ETIM 5.0	EC000516	ETIM 6.0	EC000313
UNSPSC	30-21-18-14	eClass 5.1	27-26-07-02
eClass 6.2	27-25-05-04	eClass 7.1	27-25-05-04
eClass 8.1	19-17-01-25	eClass 9.0	19-17-01-25
eClass 9.1	19-17-01-25		

Approvals

Approvals



ROHS Conform

Data sheet**Industrial Ethernet
IE-M12-ADAP A**

Weidmüller Interface GmbH & Co. KG
Klingenbergstraße 16
D-32758 Detmold
Germany
Fon: +49 5231 14-0
Fax: +49 5231 14-292083
www.weidmueller.com

Technical data**Downloads**

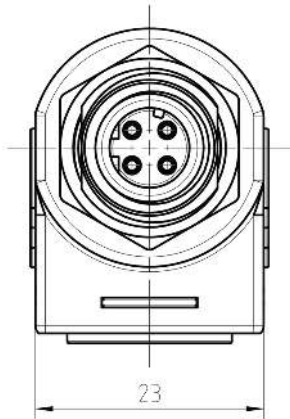
Approval/Certificate/Document of Conformity	GOST Approval PROFINET Manufacturer's Declaration
Brochure/Catalogue	CAT 9 IETH 15/16 EN FL FIELDWIRING EN PI PROFINET CABLING EN
User Documentation	MAN IE GUIDE DE MAN IE GUIDE EN

**Industrial Ethernet
IE-M12-ADAP A**

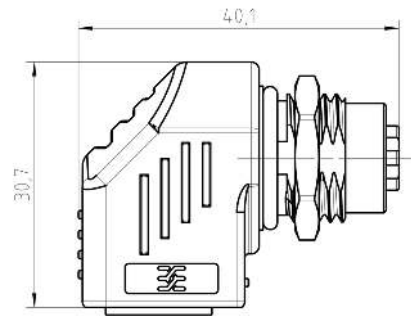
Weidmüller Interface GmbH & Co. KG
Klingenbergstraße 16
D-32758 Detmold
Germany
Fon: +49 5231 14-0
Fax: +49 5231 14-292083
www.weidmueller.com

Drawings

Dimensioned drawing



Dimensioned drawing



Installation cut-out

