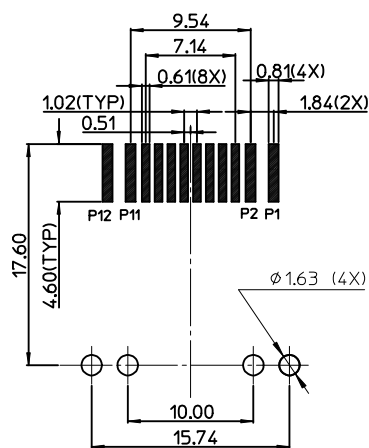
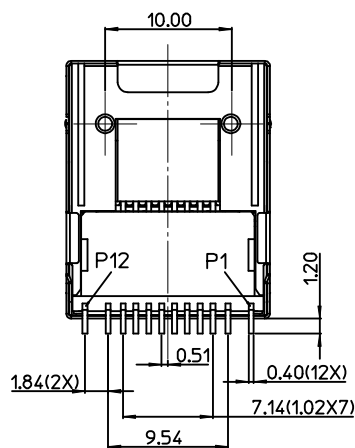
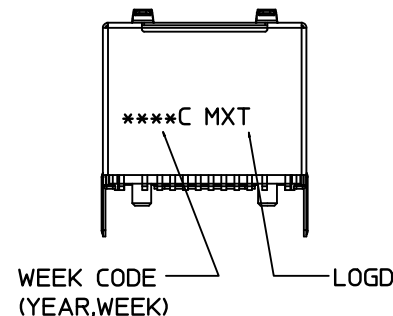
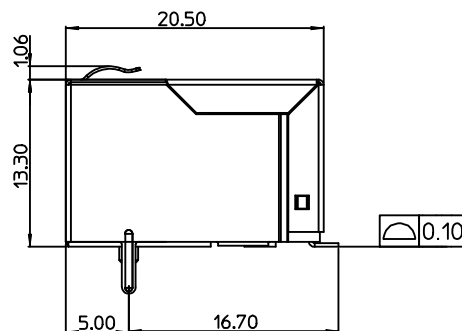
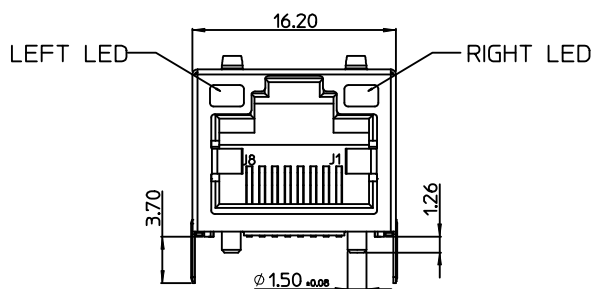


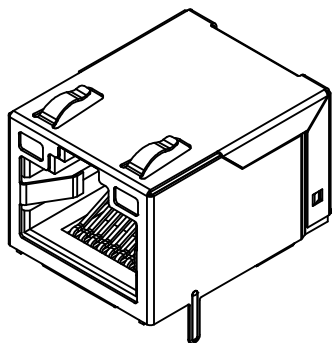
MECHANICAL DEMENSION



RECOMMENDED PCB LAYOUT
ALL DIMENSION TOLERANCE ARE ±0.05

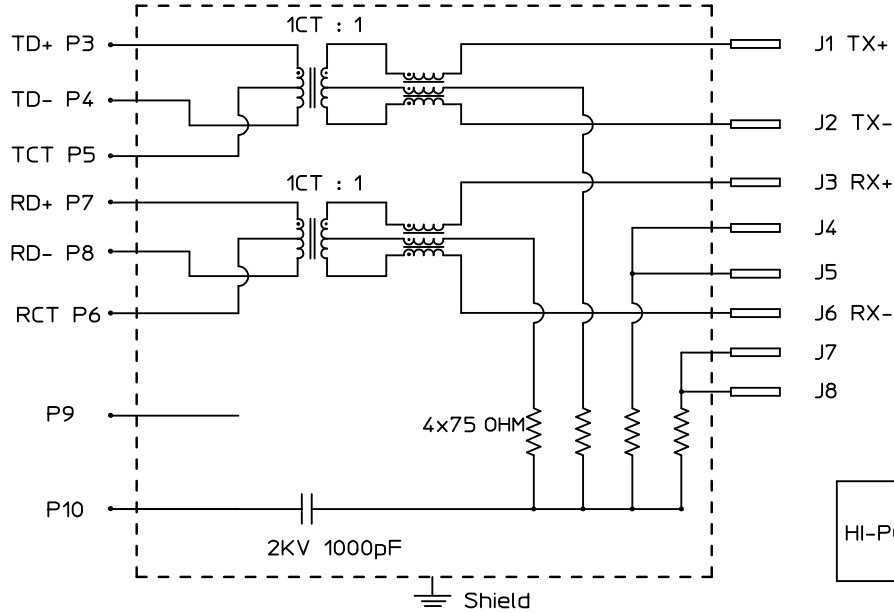
NOTES:

- 1.MATERIAL:
HOUSING:HIGH TEMP THERMOPLASTIC,UL94V-0,COLOR BLACK.
RJ45 TERMINAL:PHOSPHOR BRONZE.
TERMINAL P:BRASS
SHELL:BRASS
- 2.PLATING:
RJ45 TERMINAL:
CONTACT AREA:GOLD(Au),THICKNESS=30 MICROINCH/0.76 MICROMETER MIN.
SOLID TAIL:TIN(Sn), THICKNESS=80 MICROINCH/2.00 MICROMETER MIN.
UNDER PLATE:NICKEL(Ni), THICKNESS=50 MICROINCH/1.27 MICROMETER MIN.
TERMINAL P:
TIN(Sn), THICKNESS=100 MICROINCH/2.54 MICROMETER MIN. OVERALL
SHELL:
SOLDER TAIL:PRE-SOLDER TIN(Sn).
UNDER PLATE:NICKEL(Ni), THICKNESS=50 MICROINCH/1.27 MICROMETER MIN.
- 3.FOR IR REFLOW PROCESS. TIN PLATED AREA.
- 4.RECOMMENDED PCB THICKNESS=1.60±0.05
- 5.PRODUCT SPECIFICATION REFER TO PS-48074-006.
- 6.TEST SUMMARY REFER TO TS-48074-006.
- 7.PACKAGING SPECIFICATION REFER TO PK-48074-101.
- 8.COPLANARITY: 0.10 MAX.
- 9.LEAD FREE & RoHS COMPLIANT PRODUCT.



RELEASED EC NO: SH2015-0136 DRWN:FYANG05 2014/09/23 CHKD: APPR:RZHANG 2015/03/12	QUALITY SYMBOLS $F_A=0$ $F_C=0$ $F_P=0$	GENERAL TOLERANCES (UNLESS SPECIFIED)		DIMENSION STYLE MM ONLY		SCALE	DESIGN UNITS METRIC	THIRD ANGLE PROJECTION		
			mm	INCH	DRAWN BY FYANG05	DATE 2014/09/23	TITLE	IMPROVED MODULAR JACK INTERGRATED MAGNETICS SMT,LED		
			4 PLACES ± --- ± ---	3 PLACES ± --- ± ---	CHECKED BY	DATE				
			2 PLACES ± 0.25 ± ---	1 PLACE ± 0.25 ± ---	APPROVED BY RZHANG	DATE 2015/03/12				
	0 PLACE ± --- ± ---	ANGULAR ± 3 °		MATERIAL NO. 48074-9103		DOCUMENT NO. SD-48074-103		SHEET NO. 1 OF 2		
A	REV	DRAFT WHERE APPLICABLE MUST REMAIN WITHIN DIMENSIONS		SIZE A3	THIS DRAWING CONTAINS INFORMATION THAT IS PROPRIETARY TO MOLEX INCORPORATED AND SHOULD NOT BE USED WITHOUT WRITTEN PERMISSION					

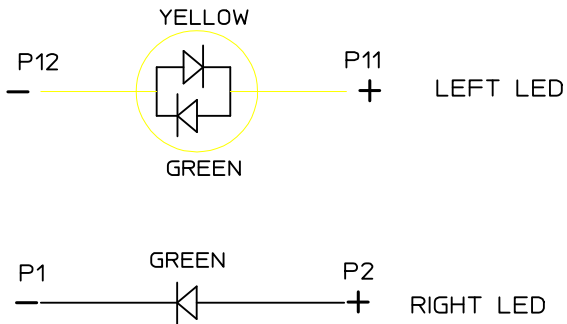
SCHEMATIC:



MAGNETIC ELECTRICAL SPECIFICATION

PARAMETER	SPECIFICATIONS		
INSERTION LOSS	100 KHz		
	1.0 dB MAX.		
RETURN LOSS (Z OUT=100 OHM±15%)	1-10 MHz	30 MHz	60-80 MHz
	20 dB MIN	16 dB MIN	12 dB MIN
	CROSSTALK		
CROSSTALK	1-10 MHz	30-60 MHz	60-100 MHz
	40 dB MIN	35 dB MIN	30 dB MIN
	COMMON MODE REJECTION RATIO		
COMMON MODE REJECTION RATIO	1-50 MHz	50-130 MHz	
	30 dB MIN	20 dB MIN	

HI-POT	(P1-P12 And Shield)Short TO PORT (J1-J8)Short	AC1500V 1.5mA 60SEC
	(P1-P12 And Shield)Short TO PORT (J1-J8)Short	DC2250V 1.5mA 60SEC



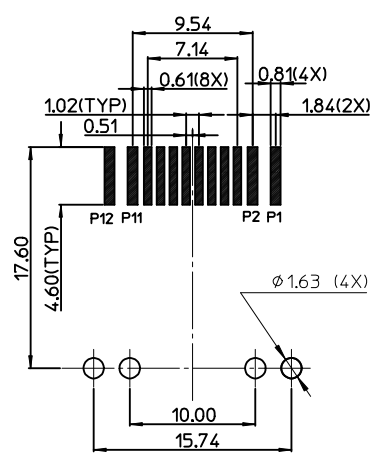
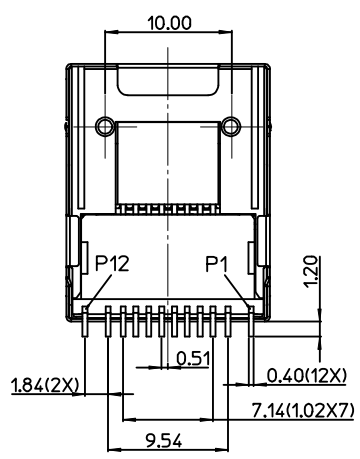
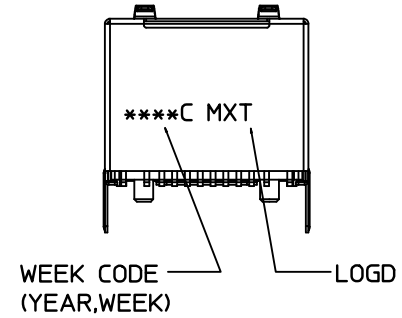
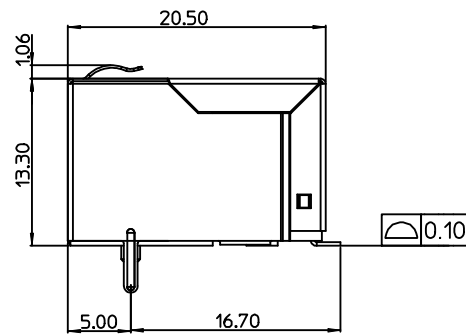
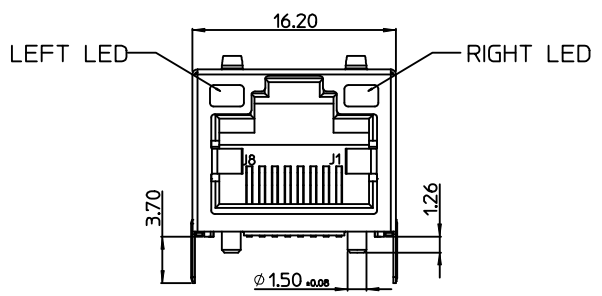
LED ELECTRICAL SPECIFICATION

PARAMETER	YELLOW/GREEN	GREEN	UNITS	TEST CONDITIONS
POWER DISSIPATION	60	60	mW	
REVERSE VOLTAGE	5	5	V	
PEAK WAVELENGTH	585~597/564.5~576.5	564.5~576.5	nm	IF=20mA
FORWARD VOLTAGE	2.1 MAX.=2.5	2.2 MAX.=2.5	V	IF=20mA

LED SCHEMATIC:

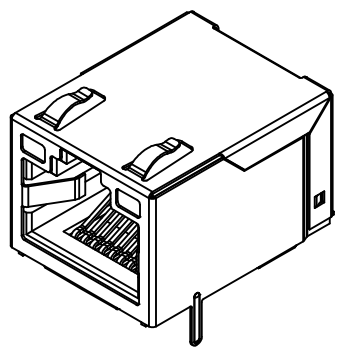
SEE SHEET1 EC NO: SH2015-0136 DRWN:FYANG05 CHKD: APPR:RZHANG	QUALITY SYMBOLS	GENERAL TOLERANCES (UNLESS SPECIFIED)	DIMENSION STYLE	SCALE	DESIGN UNITS	THIRD ANGLE PROJECTION
	$\nabla_{F/A}=0$	mm INCH	MM ONLY	1:1	METRIC	
	$\nabla_{F/C}=0$	4 PLACES ± --- ± ---	DRAWN BY DATE	TITLE		
	$\nabla_{F/B}=0$	3 PLACES ± --- ± ---	FYANG05 2014/09/23	IMPROVED MODULAR JACK INTERGRATED MAGNETICS SMT,LED		
	2 PLACES ± 0.25 ± ---	CHECKED BY DATE	molex			
	1 PLACE ± 0.25 ± ---	APPROVED BY DATE				
	0 PLACE ± --- ± ---	RZHANG 2015/03/12	SD-48074-103			
	ANGULAR ± 3 °	MATERIAL NO.	DOCUMENT NO.			
	DRAFT WHERE APPLICABLE MUST REMAIN WITHIN DIMENSIONS	SEE SHEET1	SHEET NO. 2 OF 2			
		SIZE A3	THIS DRAWING CONTAINS INFORMATION THAT IS PROPRIETARY TO MOLEX INCORPORATED AND SHOULD NOT BE USED WITHOUT WRITTEN PERMISSION			

MECHANICAL DEMENSION



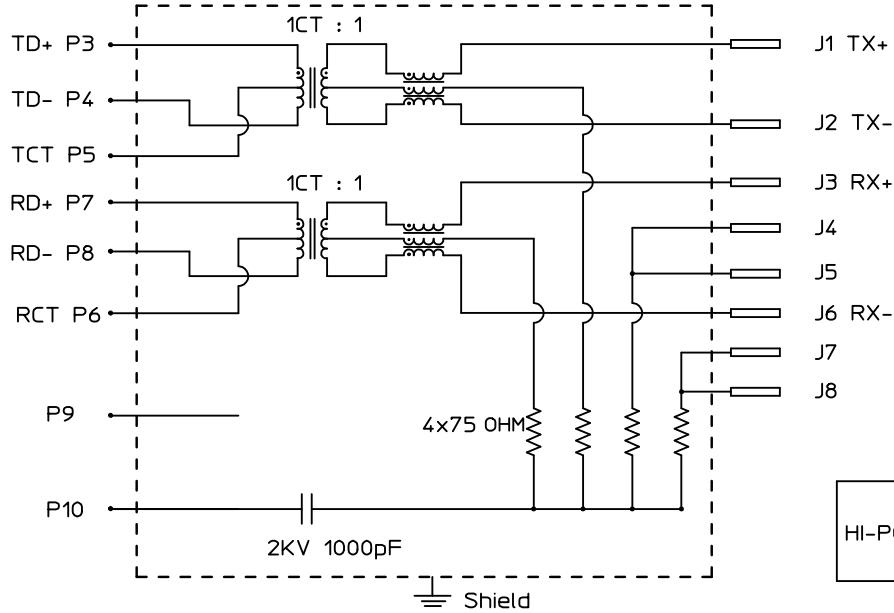
RECOMMENDED PCB LAYOUT
ALL DIMENSION TOLERANCE ARE ±0.05

- NOTES:
- 1.MATERIAL:
HOUSING:HIGH TEMP THERMOPLASTIC,UL94V-0,COLOR BLACK.
RJ45 TERMINAL:PHOSPHOR BRONZE.
TERMINAL P:BRASS
SHELL:BRASS
 - 2.PLATING:
RJ45 TERMINAL:
CONTACT AREA:GOLD(Au),THICKNESS=30 MICROINCH/0.76 MICROMETER MIN.
SOLID TAIL:TIN(Sn), THICKNESS=80 MICROINCH/2.00 MICROMETER MIN.
UNDER PLATE:NICKEL(Ni), THICKNESS=50 MICROINCH/1.27 MICROMETER MIN.
TERMINAL P:
TIN(Sn), THICKNESS=100 MICROINCH/2.54 MICROMETER MIN. OVERALL
SHELL:
SOLDER TAIL:PRE-SOLDER TIN(Sn).
UNDER PLATE:NICKEL(Ni), THICKNESS=50 MICROINCH/1.27 MICROMETER MIN.
 - 3.FOR IR REFLOW PROCESS. TIN PLATED AREA.
 - 4.RECOMMENDED PCB THICKNESS=1.60±0.05
 - 5.PRODUCT SPECIFICATION REFER TO PS-48074-006.
 - 6.TEST SUMMARY REFER TO TS-48074-006.
 - 7.PACKAGING SPECIFICATION REFER TO PK-48074-101.
 - 8.COPLANARITY: 0.10 MAX.
 - 9.LEAD FREE & RoHS COMPLIANT PRODUCT.



RELEASED EC NO: SH2015-0136 DRWN:FYANG05 2014/09/23 CHKD: APPR:RZHANG 2015/03/12	QUALITY SYMBOLS $F_A=0$ $F_C=0$ $F_P=0$	GENERAL TOLERANCES (UNLESS SPECIFIED)		DIMENSION STYLE MM ONLY		SCALE	DESIGN UNITS METRIC	THIRD ANGLE PROJECTION	
				mm	INCH	DRAWN BY FYANG05	DATE 2014/09/23	TITLE IMPROVED MODULAR JACK INTERGRATED MAGNETICS SMT,LED	
		4 PLACES ± --- ± ---				CHECKED BY	DATE		
		3 PLACES ± --- ± ---				APPROVED BY RZHANG	DATE 2015/03/12		DOCUMENT NO. SD-48074-103
2 PLACES ± 0.25 ± ---				MATERIAL NO. 48074-9103					
1 PLACE ± 0.25 ± ---				ANGULAR ± 3 °					
0 PLACE ± --- ± ---				DRAFT WHERE APPLICABLE MUST REMAIN WITHIN DIMENSIONS					
				SIZE A3	THIS DRAWING CONTAINS INFORMATION THAT IS PROPRIETARY TO MOLEX INCORPORATED AND SHOULD NOT BE USED WITHOUT WRITTEN PERMISSION				

SCHEMATIC:

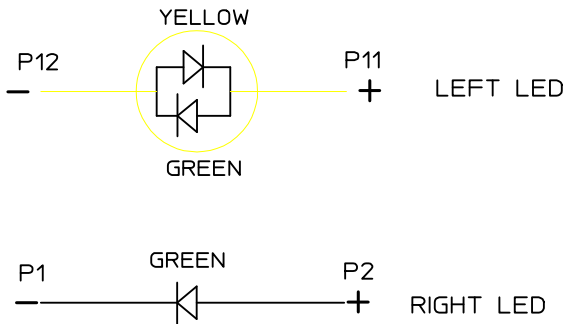


PORT P/PROT A

MAGNETIC ELECTRICAL SPECIFICATION

PARAMETER	SPECIFICATIONS		
INSERTION LOSS	100 KHz		
	1.0 dB MAX.		
RETURN LOSS (Z OUT=100 OHM±15%)	1-10 MHz	30 MHz	60-80 MHz
	20 dB MIN	16 dB MIN	12 dB MIN
	CROSSTALK		
CROSSTALK	1-10 MHz	30-60 MHz	60-100 MHz
	40 dB MIN	35 dB MIN	30 dB MIN
	COMMON MODE REJECTION RATIO		
COMMON MODE REJECTION RATIO	1-50 MHz	50-130 MHz	
	30 dB MIN	20 dB MIN	

HI-POT	(P1-P12 And Shield)Short TO PORT (J1-J8)Short	AC1500V 1.5mA 60SEC
	(P1-P12 And Shield)Short TO PORT (J1-J8)Short	DC2250V 1.5mA 60SEC



LED ELECTRICAL SPECIFICATION

PARAMETER	YELLOW/GREEN	GREEN	UNITS	TEST CONDITIONS
POWER DISSIPATION	60	60	mW	
REVERSE VOLTAGE	5	5	V	
PEAK WAVELENGTH	585~597/564.5~576.5	564.5~576.5	nm	IF=20mA
FORWARD VOLTAGE	2.1 MAX.=2.5	2.2 MAX.=2.5	V	IF=20mA

LED SCHEMATIC:

SEE SHEET1 EC NO: SH2015-0136 DRWN:FYANG05 2014/09/23 CHKD: APPR:RZHANG 2015/03/12	QUALITY SYMBOLS	GENERAL TOLERANCES (UNLESS SPECIFIED)	DIMENSION STYLE	SCALE	DESIGN UNITS	THIRD ANGLE PROJECTION
	$\nabla_{F_A}=0$	mm INCH	MM ONLY	1:1	METRIC	
	$\nabla_{F_G}=0$	4 PLACES ± --- ± ---	DRAWN BY DATE	TITLE		
	$\nabla_{F_B}=0$	3 PLACES ± --- ± ---	FYANG05 2014/09/23	IMPROVED MODULAR JACK INTERGRATED MAGNETICS SMT,LED		
	2 PLACES ± 0.25 ± ---	CHECKED BY DATE	molex			
	1 PLACE ± 0.25 ± ---	APPROVED BY DATE				
	0 PLACE ± --- ± ---	RZHANG 2015/03/12	SD-48074-103			
	ANGULAR ± 3 °	MATERIAL NO.	DOCUMENT NO.			
	DRAFT WHERE APPLICABLE MUST REMAIN WITHIN DIMENSIONS	SEE SHEET1	SHEET NO. 2 OF 2			
		SIZE A3	THIS DRAWING CONTAINS INFORMATION THAT IS PROPRIETARY TO MOLEX INCORPORATED AND SHOULD NOT BE USED WITHOUT WRITTEN PERMISSION			