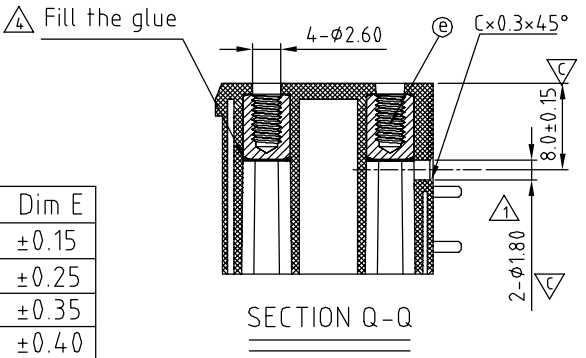


N = Number of poles
 Dim L = (N+2) x 5.0
 Dim B = (N-1) x 5.0
 Dim C = (N-1) x 5.0 + 5.4
 Dim D = (N-1) x 5.0 + 5.4
 Dim E = (N-1) x 5.0



Poles	Dim L	Dim B	Dim C	Dim D	Dim E
2x2-2x6p	±0.15	±0.15	+0.05 -0.05	+0.05 -0.05	±0.15
2x7-2x12p	±0.25	±0.25	+0.10 -0.05	+0.10 -0.05	±0.25
2x13-2x18p	±0.35	±0.35	+0.20 -0.05	+0.20 -0.05	±0.35
2x19-2x24p	±0.40	±0.40	+0.25 -0.10	+0.25 -0.10	±0.40

SIGN	DATE	DESCRIPTION	APPROVER
△	210.05.29	The design is changed	Chen Bo
△	03/29 '12	Add is cULus	Chen Bo
△	03/29 '12	The dimension C & D & E are added	Chen Bo
△	03/29 '12	Flange nut is changed	Chen Bo
△	03/29 '12	The dimension is changed from φ2.0 to φ2.40	Chen Bo

THIS IS CAD DRAWING, DO NOT REVISE MANUALLY!!!

- Material:
- Item a Terminal(housing): Thermoplastic (UL94V-0)
 - Item b Terminal(cover): Thermoplastic (UL94V-0)
 - Item c Male contact pin of short: Copper Tin plated
 - Item d Male contact pin of long: Copper Tin plated
 - Item e With flange nut: Brass M2.5

- Electrical: cULus
- Voltage rating: 300V
 - Current rating: 12A
 - Withstanding Voltage: 1.6KV
 - Operating temperature: -40°C to +115°C
 - Soldering temperature: 250°C±10°C/5 Sec
 - Safety Approval: cULus
 - Critical dimension: ∇

KE xx 7 2 x 3 xxxx G

No. OF POLES
 04: 2x2 POLES
 06: 2x3 POLES
 :
 48: 2x24 POLES

RoHS compliant (lead<4%)
 In copper Alloy

0000: "@" Logo (Standard)
 000A: "ANYTEK" Mark

- COLOR
- 0 Black (RAL9005)
 - 2 Red (RAL3001/D)
 - 3 Orange(RAL2011/P)
 - 4 Yellow(RAL1018/A)
 - 5 Green(RAL6018/T)
 - 6 Blue (RAL5015/A)
 - 8 Grey(RAL7035/D)
 - 9 White(RAL1102)
 - C Green(RAL6018/U)

Any special item by customer request.
 please contact sales department.

ANYTEK		CUSTOMER COPY	
ALL RIGHTS RESERVED. REPRODUCTION OR ISSUE TO THIRD PARTIES IN ANY FORM WHATSOEVER IS NOT PERMITTED WITHOUT WRITTEN AUTHORITY FROM THE PROPRIETOR. PROPERTY OF ANYTEK TECHNOLOGY CO., LTD			
TITLE	KE 5.0mm With Flange Series 2x2P-2x24P (90°-Rihgt angle) Dip type		
PART NO.	KExx72x3xxxxG	DWG NO.	8KE0103
APPROVED	CHECKED	DESIGNED	DRAWN
		Chen Bo 04/14 '12	Chen Bo 04/14 '12
SHEET: 01/01		UNIT: mm	Tolerance
SCALE: NONE		X.X	±0.30
REV.: D		X.XX	±0.10
		X°	±1°