

SPECIFICATIONS

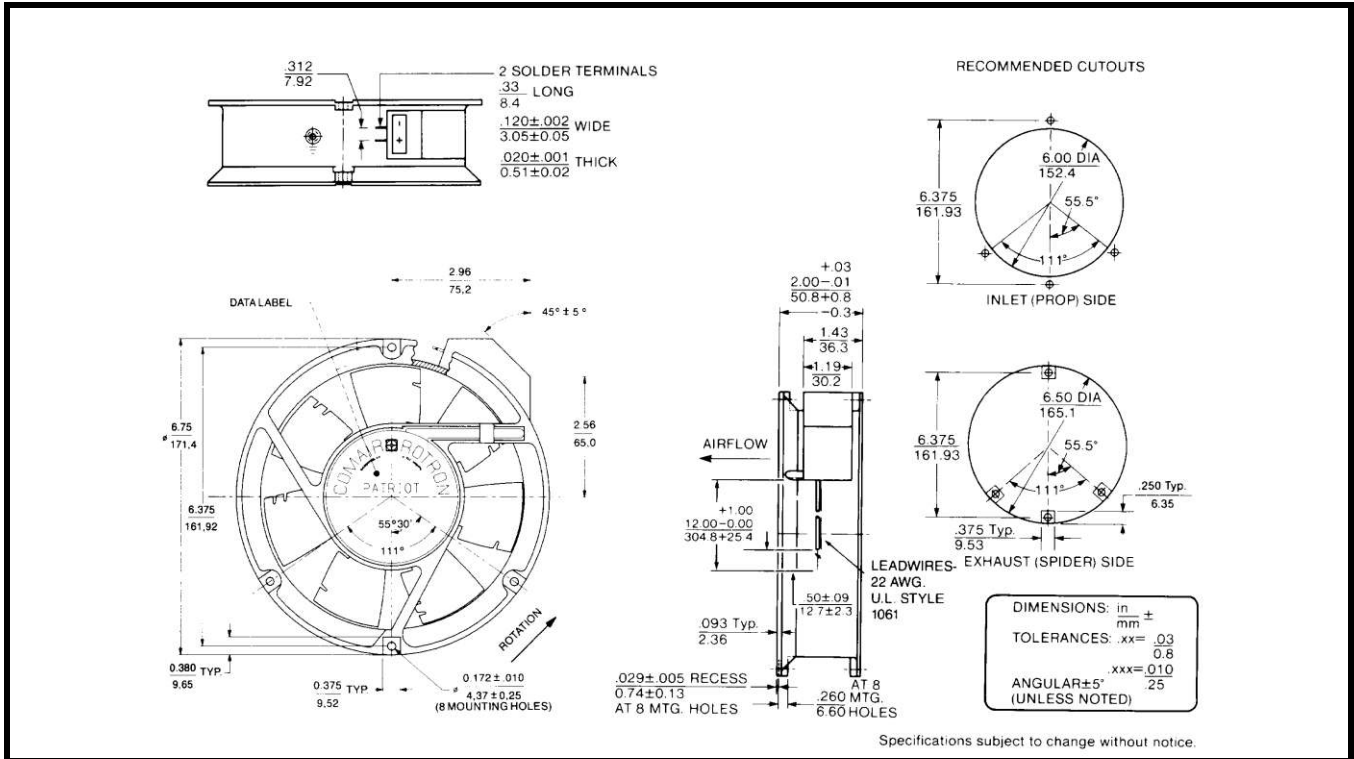
(RoHS Compliant)

Model Number: PQD48Z3E2X-E3
Part Number: 17001196A

Version: 00
Jun 12, 2018



Mechanical Drawing:



Motor:

Nominal Voltage	= 48 vdc
Operating Voltage Range	= 36 – 60 vdc
Nominal Running Current	= 0.67 amps
Locked Rotor Current	= 1.5 amps
Running Power	= 32.2 watts
Average Speed	= 4500 rpm
Bearings	= Ball
Air Flow	= 305 CFM
Acoustic	= 60.4 dBA

Construction:

Venturi: Die-Cast Aluminum, Black
 Propeller: Polycarbonate, Black, UL 94V-0

Life Expectancy:

This fan is designed for continuous duty life of 58,000 hours at 70°C.

Termination:

12"±1" (304.8±25.4mm)	22AWG UL1061 Leadwires
Red	= Power(+)
Black	= Return(-)
Blue/White	= Tach output
Yellow	= PWM control

Additional Features:

Brushless DC Motor
 Soft Start Inrush Current
 Electronic Locked Rotor Protection
 Polarity Protected
 Automatic Restart Capability
 Operating Temperature: -10°C to 70°C
 Storage Temperature: -40°C to 85°C
 Environmental Protection: Type 3(IP68)

TACHOMETER:

Output: Open Collector
 Ic: 20 mA max.
 Vcc: 60 Vdc max.
 Pulses per Revolution: 2
 Isolated: No

Speed Control:

PWM: 200 ~ 2 KHz, Open Collector
 <10% Duty: Off
 10%~95% Duty: Linear Ramp
 >95% Duty or Open Lead Wire: Full Speed

Agency Approvals:

UL, CUL, CE

PQ Curve:

