

Blade Fuseholders - FH2 Stackable Block Fuseholder for ATO® Style Blade Fuse Rated 80V

RoHS



Specifications

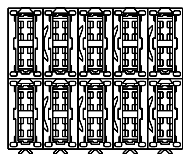
- Housing:** Out of thermoplastic (UL 94-V0, heat-resistant)
- Connections:** Leaf spring connector systems, crimp contacts, copper alloy, tinned
- Color:** Black
- Cover:** Thermoplastic (transparent)

Blockholder for ATO / FKS size fuses-links. Attachable in X- and Y-direction. Rated voltage 80V; crimp terminals.

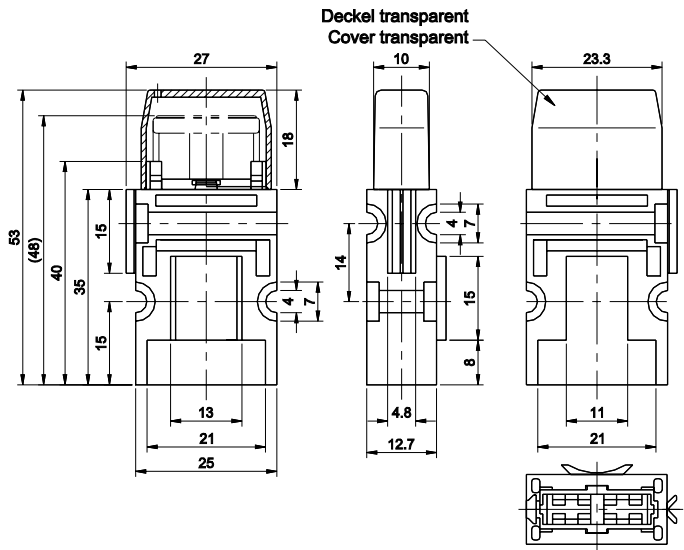
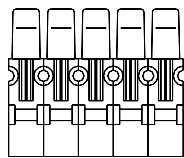
Blockhalter für Sicherungen in ATO / FKS-Größe. Montage in X- und Y-Richtung möglich. Nennspannung 80V, Crimp-Kontakte.

Dimensions in mm / Maße in mm

Chart for row-mounting



10er/pcs. Block



| Part Number Artikel-Nr. | Description Beschreibung | Contact Temperature Kontakttemperatur |
|----------------------------|---|--|
| 178.6105.000_ | Complete with DFK 1.5 - 2.5 mm ² | max. 130°C |
| 178.6115.000_ | Housing | — |
| 178.6125.000_ | Cover | — |
| 178.6116.100_* | DFK-Kontakte 0.5-1.0mm ² | max. 130°C |
| 178.6116.250_* | Contacts 1.5-2.5mm ² | max. 130°C |
| 178.6116.600_* | Contacts 4.0-6.0mm ² | max. 130°C |

* Crimping tool available on request.

Last figure of part number = packaging code, see Section "Packaging Index," pg. 157.

Corresponding fuse links see Section "Blade Fuses."